

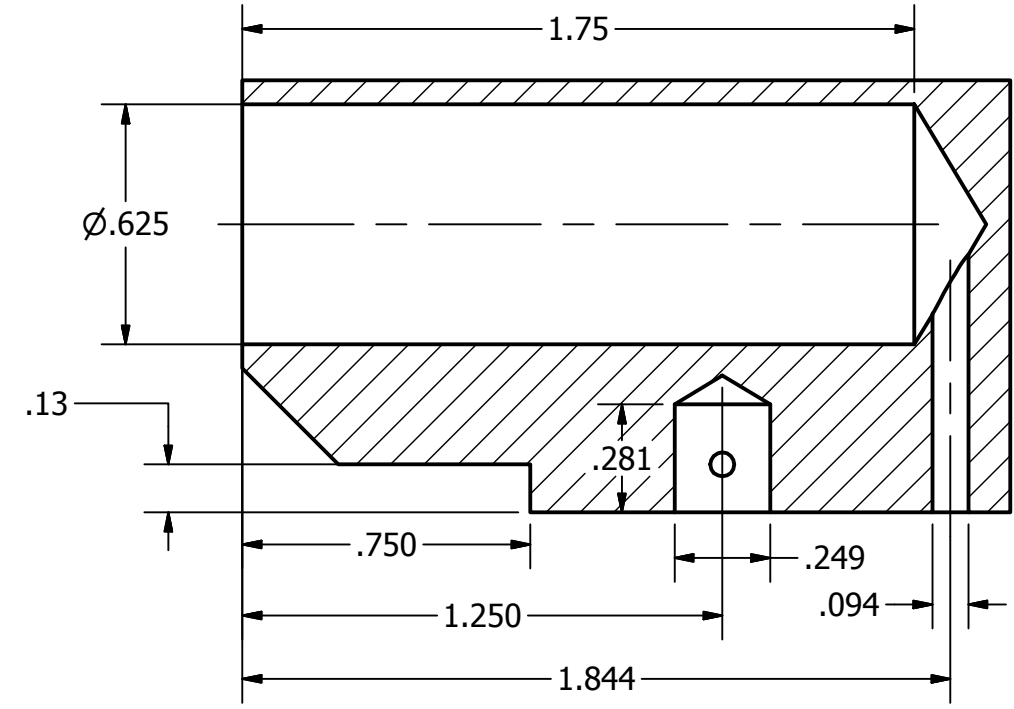
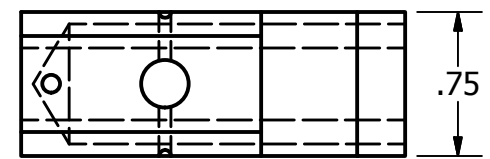
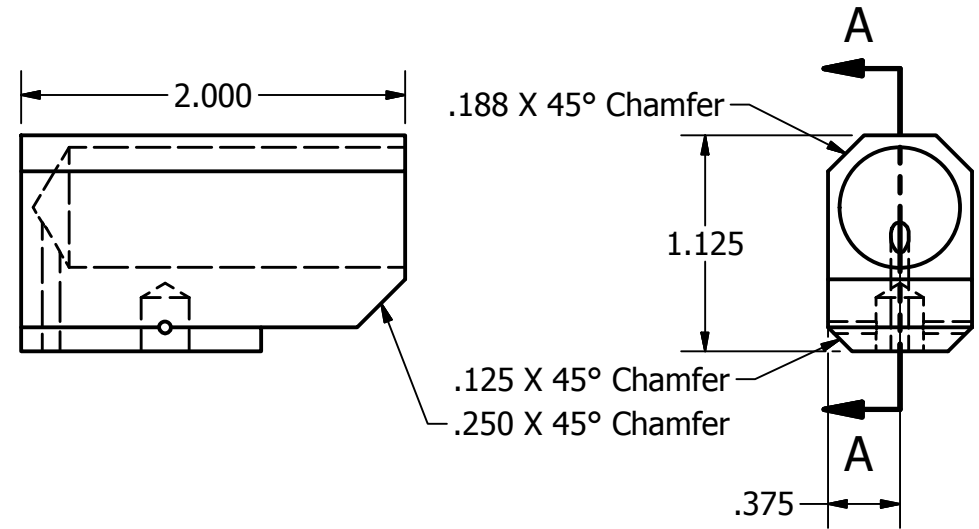
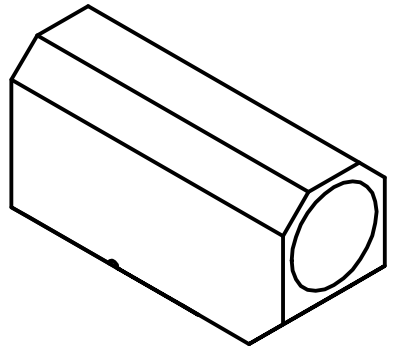
4

3

2

1

PARTS LIST			
ITEM	QTY	PART NUMBER	DESCRIPTION
1	1	Cylinder	MATERIAL: BRASS



SECTION A-A  
SCALE 2

DRAWN	Rob	5/12/2017		
CHECKED				
QA			TITLE	
MFG				
APPROVED				
			SIZE	DWG NO
			B	Cylinder
			SCALE	REV
			SHEET 1 OF 1	

4

3

2

1

B

B

A

A