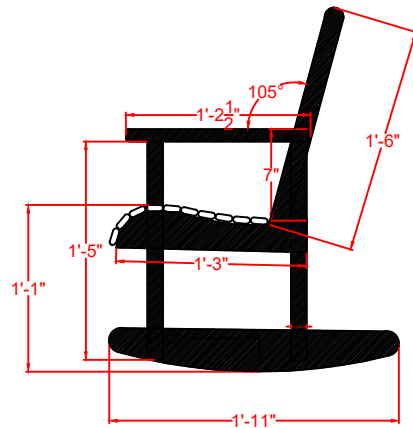
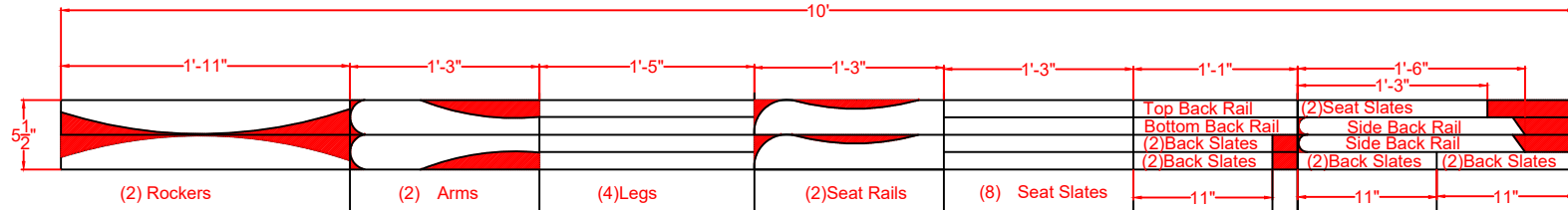


Child Size Rocking Chair

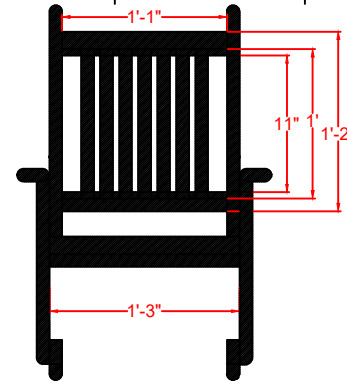
Design by Tim Tapp 11-11-2020

Cutting Diagram



Material List

Qty	Description
1	5/4"x6"x10" Decking Lumber
1/2lbs	1-3/4" Wood Screws
1	Wood Glue
36	3/4" Length 3/8" Crown Staples
1	Wood Filler
1	#120 Grit Sandpaper
1	#40 Grit Sanding Wheel
1	Paint/Strain
1	Paint Brush



Parts List

Qty	Description	Length	Width	Thickness
2	Rocker	1'-11"	2-3/4"	1"
2	Arms	1'-3"	2-3/4"	1"
4	Legs	1'-5"	1-3/8"	1"
2	Seat Rail	1'-3"	2-3/4"	1"
10	Seat Slates	1'-3"	1-3/8"	1/2"
2	Side Back Rail	1'-4"	1-3/8"	1"
2	Top/Bottom Back Rail	1'-1"	1-3/8"	1"
8	Back Slates	11"	1-3/8"	1/2"

Tool List

Skill Saw (Porter Cable PCC661B)
Hand Grinder (Porter Cable PCC761B)
7" Square (Johnson RAS-1)
Drill/Screw Driver (Porter Cable PCC604L2)
Pneumatic Stapler (Freeman PXL31)
Zig or Band Saw (Rikon 10-306)
Table Saw (Dewalt DW745)
Router - with 1/2" Rounding Bit

