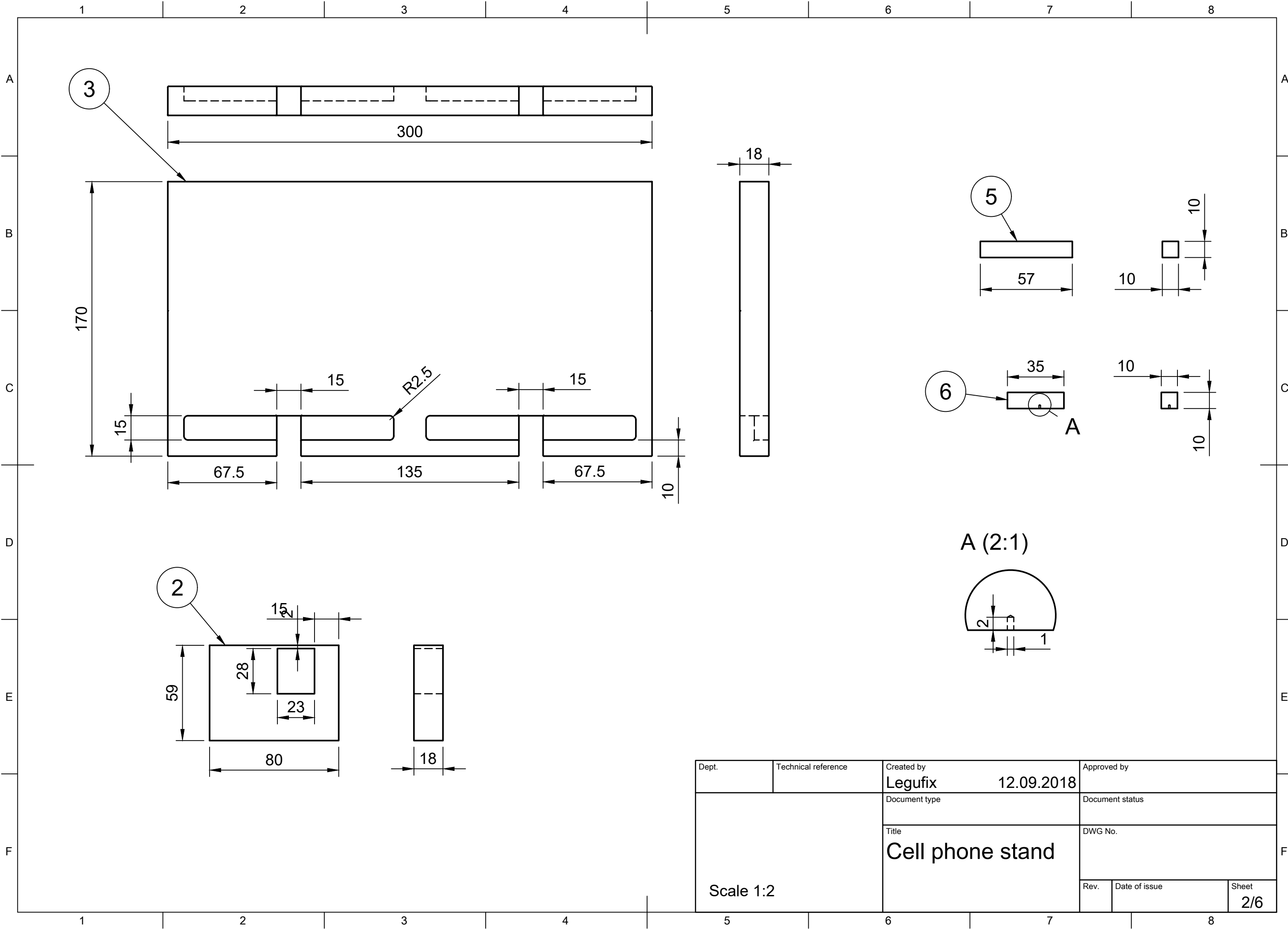


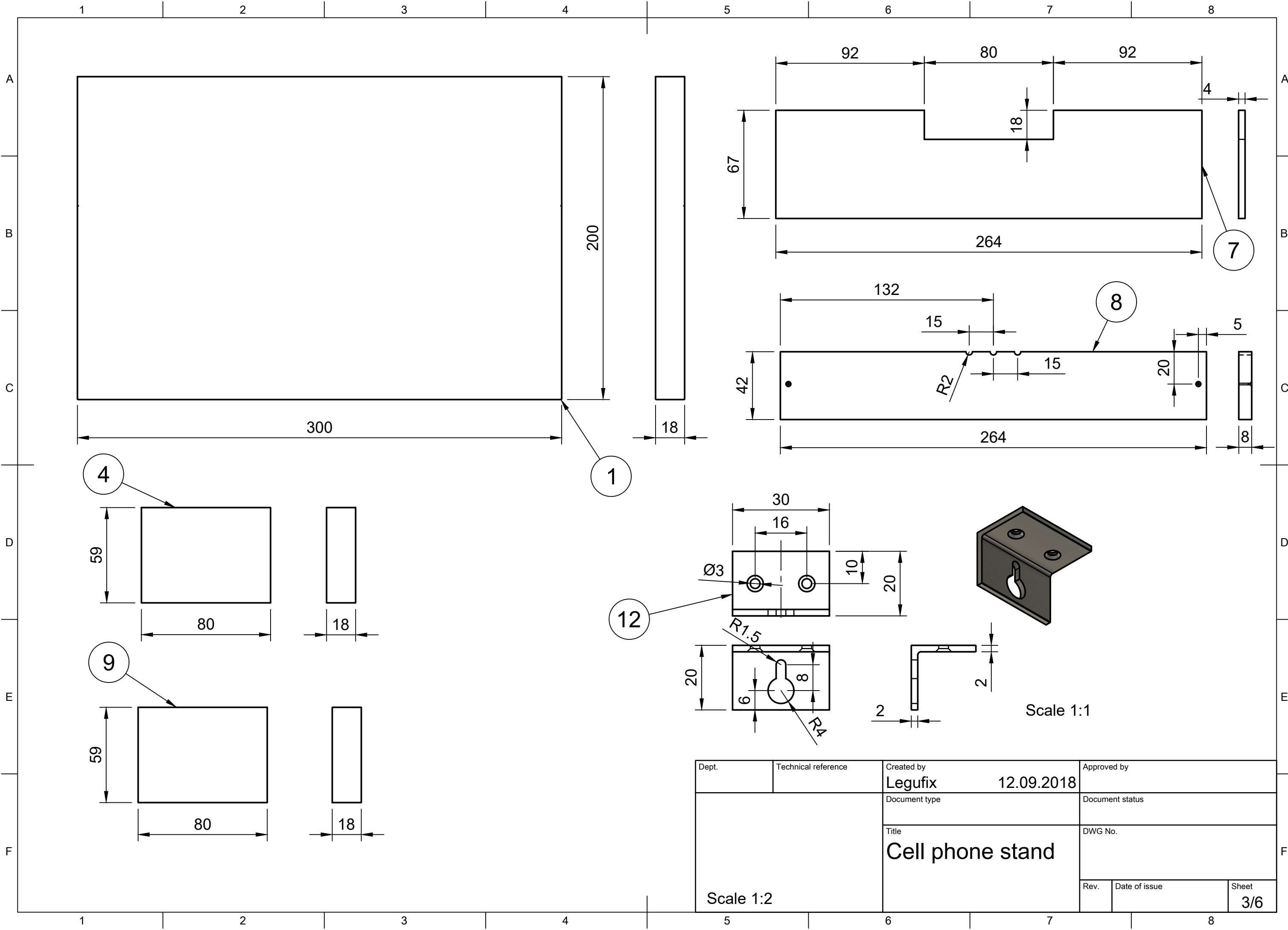
13	6	95844A225		Stahl
12	2	Mounting bracket		Stahl
11	1	Figure B		Fichte
10	1	Figure A		Fichte
9	1	Back wall		Fichte
8	1	Front lid		Fichte
7	1	Lower lid		Fichte
6	2	Bar B		Fichte
5	2	Bar A		Fichte
4	1	Side wall left		Fichte
3	1	Upper board		Fichte
2	1	Side wall right		Fichte
1	1	Lower board		Fichte
Element	Anz.	Bauteilnummer	Beschreibung	Material
Teilleiste				

Dept.	Technical reference	Created by Legufix	12.09.2018	Approved by
		Document type	Document status	
		Title Cell phone stand	DWG No.	
Rev.	Date of issue	Sheet		1/6

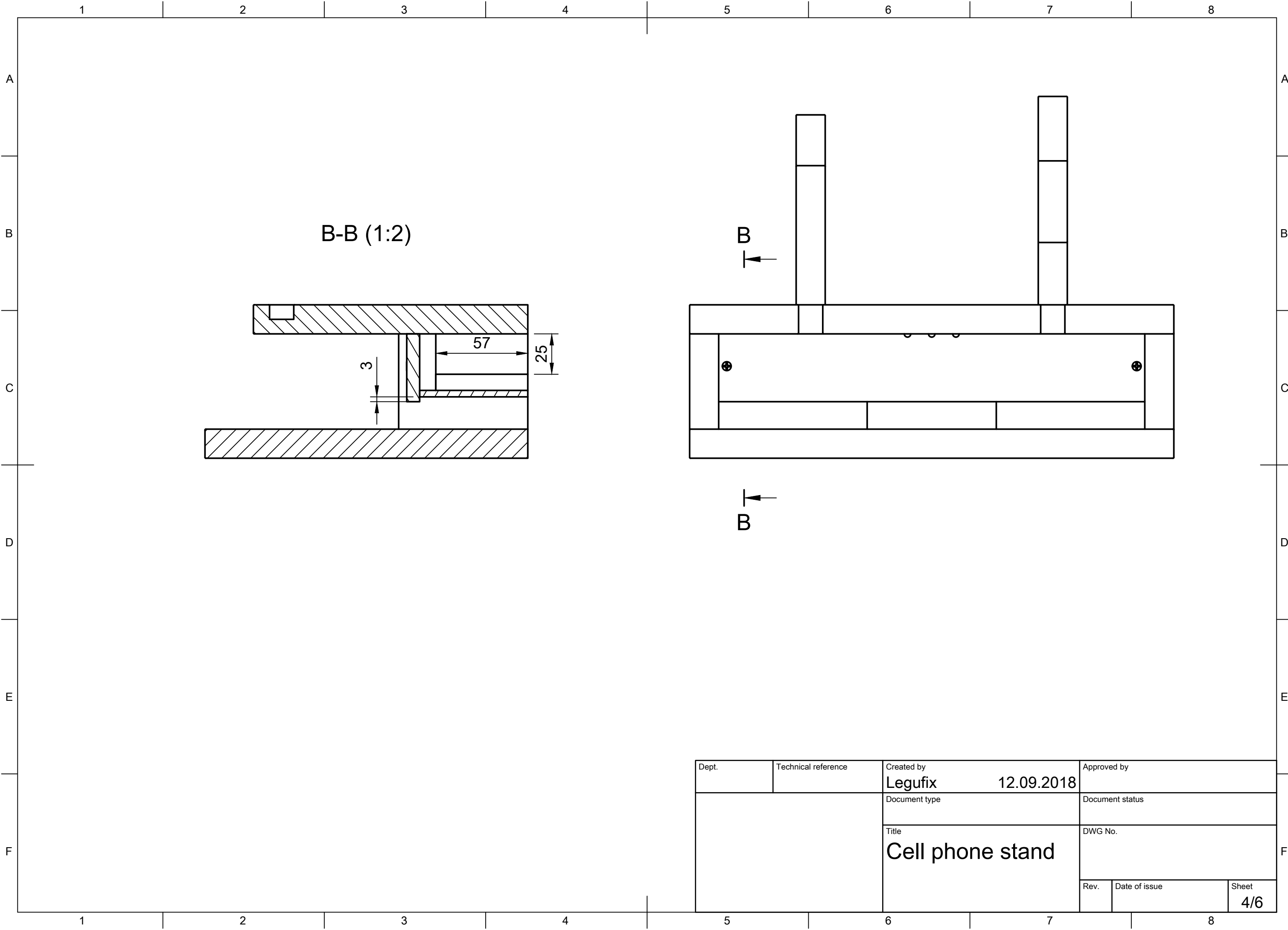


A (2:1)

Dept.	Technical reference	Created by Legufix	12.09.2018	Approved by
Scale 1:2		Document type	Document status	
		Title Cell phone stand	DWG No.	
Rev.	Date of issue	Sheet		2/6



Dept.	Technical reference	Created by Legufix	12.09.2018	Approved by
Scale 1:2		Document type		Document status
		Title Cell phone stand		DWG No.
Rev.	Date of issue	Sheet		3/6

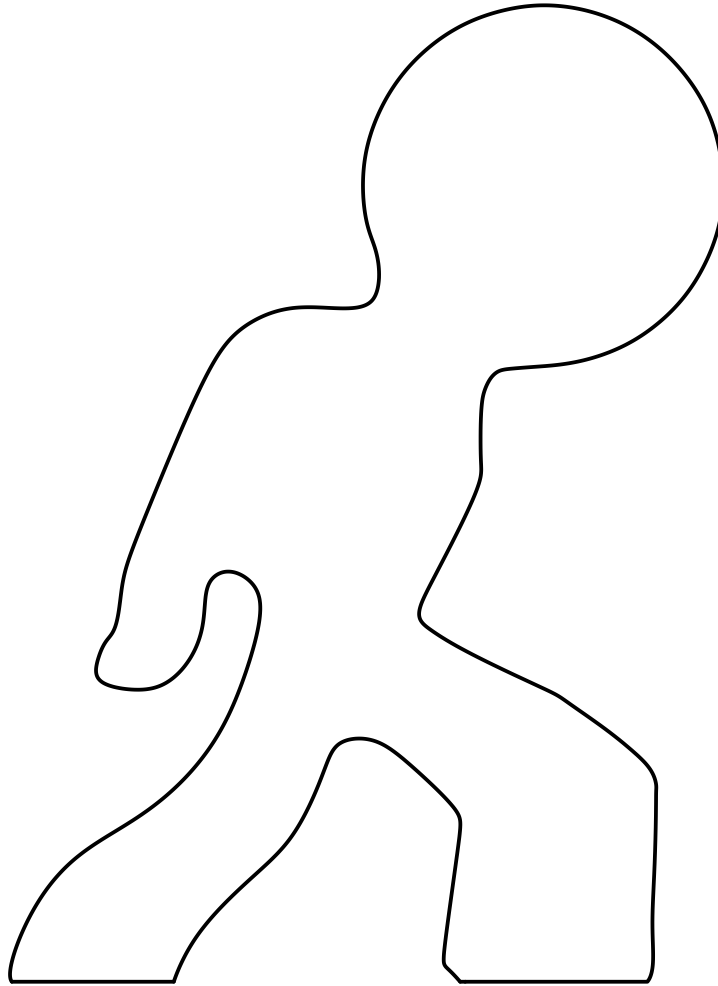


B-B (1:2)

B

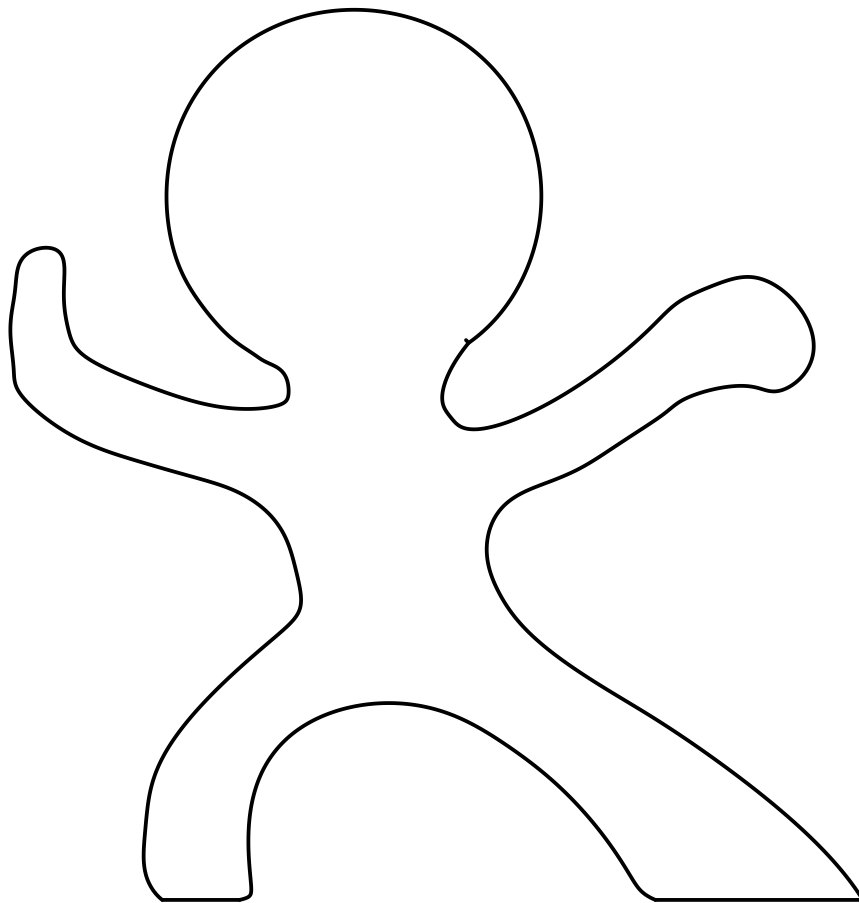
B

Dept.	Technical reference	Created by Legufix	12.09.2018	Approved by
		Document type	Document status	
		Title Cell phone stand	DWG No.	
		Rev.	Date of issue	Sheet 4/6



Thickness 18mm

Dept.	Technical reference	Created by Legufix	12.09.2018	Approved by
Scale 1:1		Document type	Document status	
		Title Cell phone stand	DWG No.	
		Rev.	Date of issue	Sheet 5/6



Thickness 18mm

Dept.	Technical reference	Created by Legufix	12.09.2018		Approved by
		Document type	Document status		
		Title Cell phone stand	DWG No.		
Scale 1:1		Rev.	Date of issue	Sheet	
				6/6	