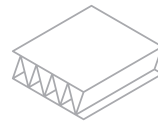
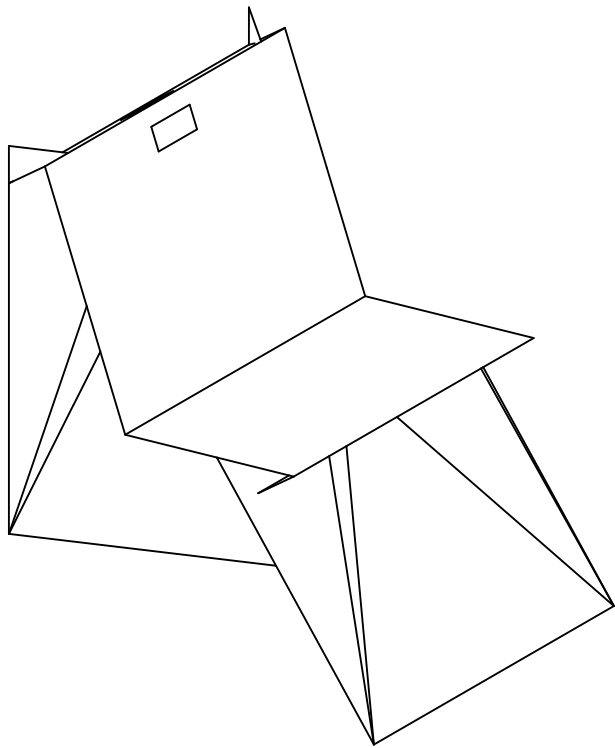


One Piece Cardboard Chair  
Zero Waste | DIY | Open Source  
David Wernig  
Zero Waste Design  
Estonian Academy of Arts, November 2014





Material

100x170cm Cardboard  
(6mm ~ 40kg)



Tools

Cutting Knife  
Steel Ruler  
Pen & Triangle Ruler



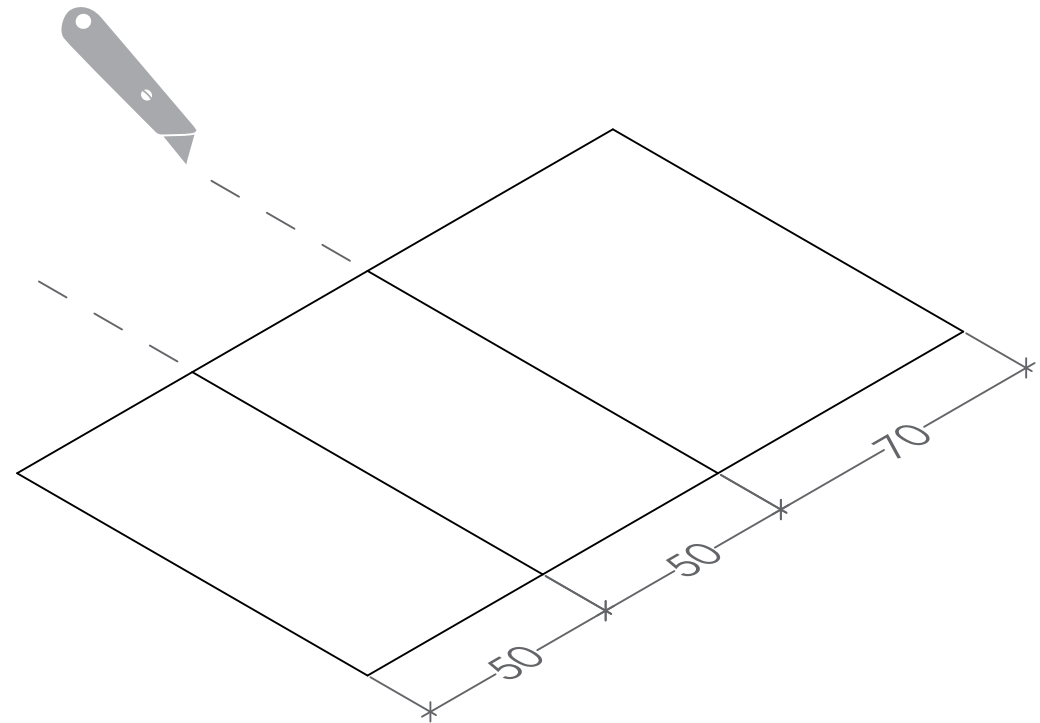
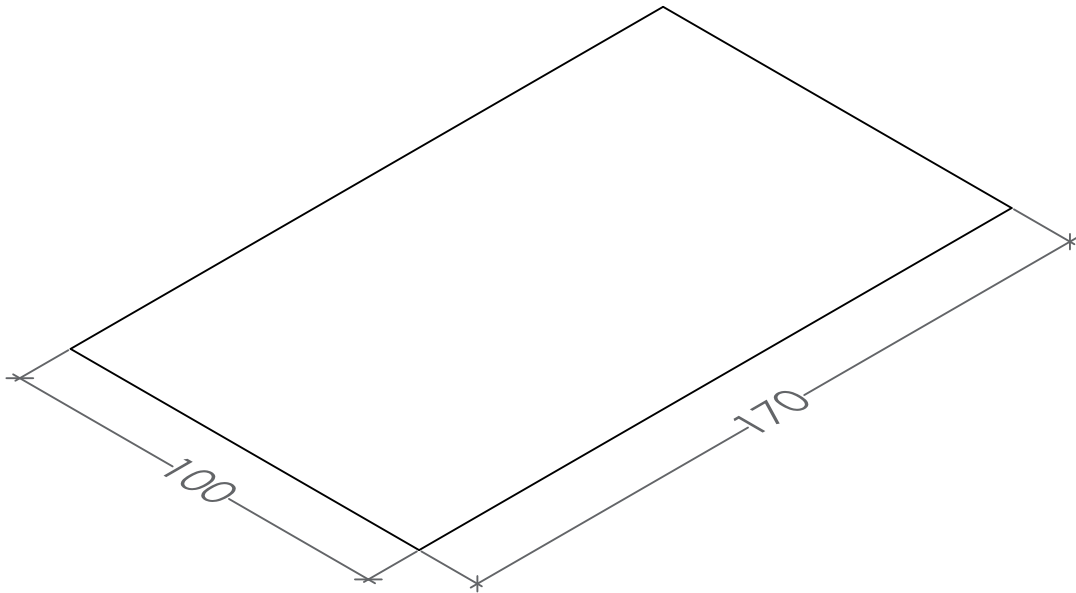
Model Units

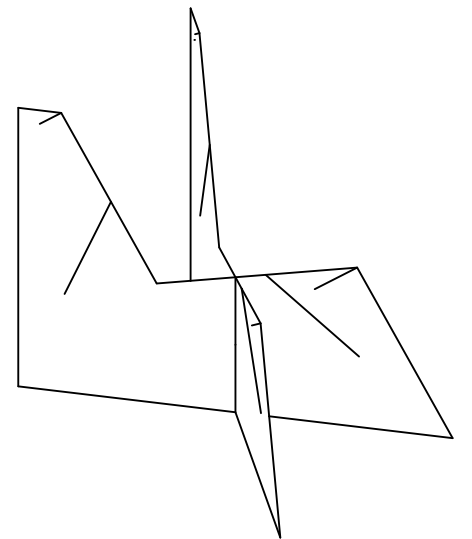
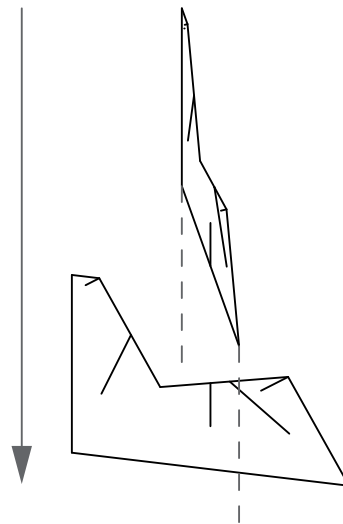
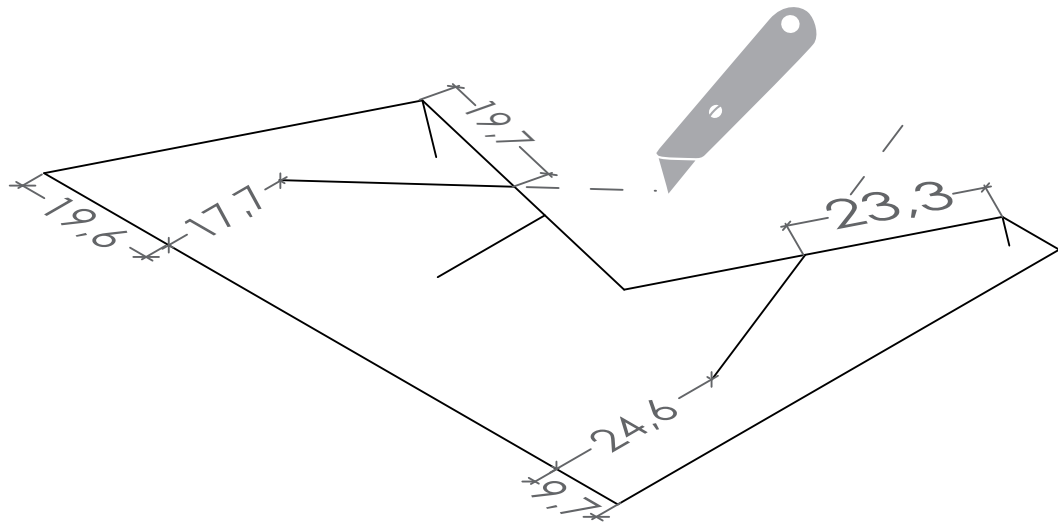
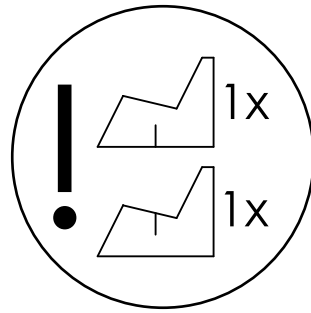
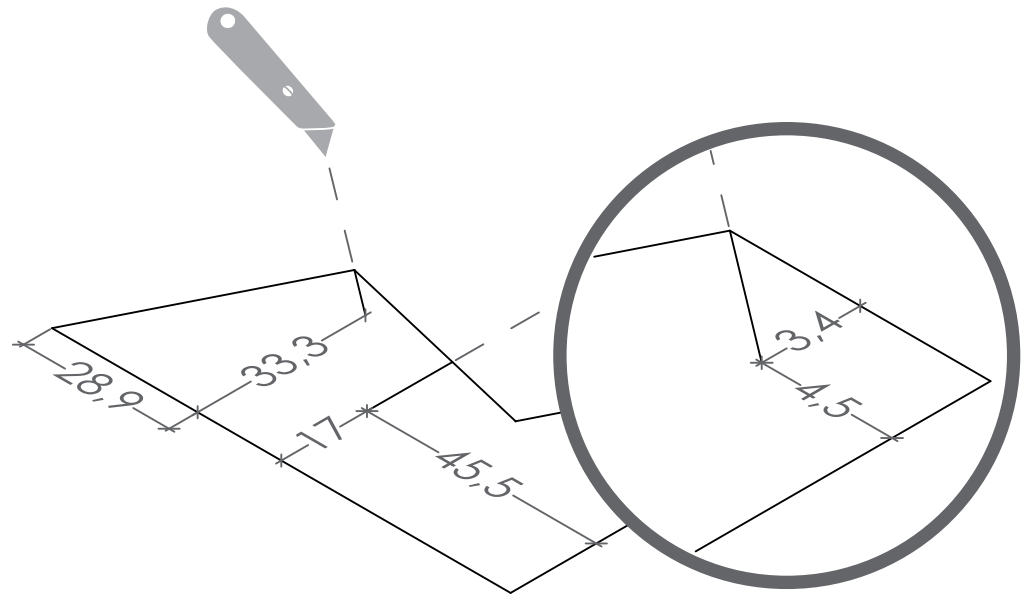
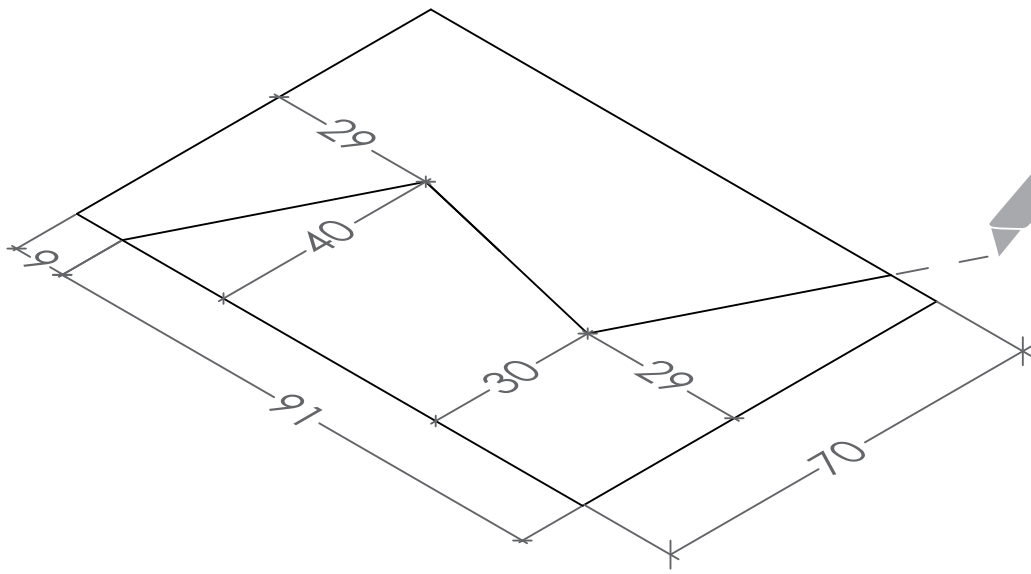
Centimeters

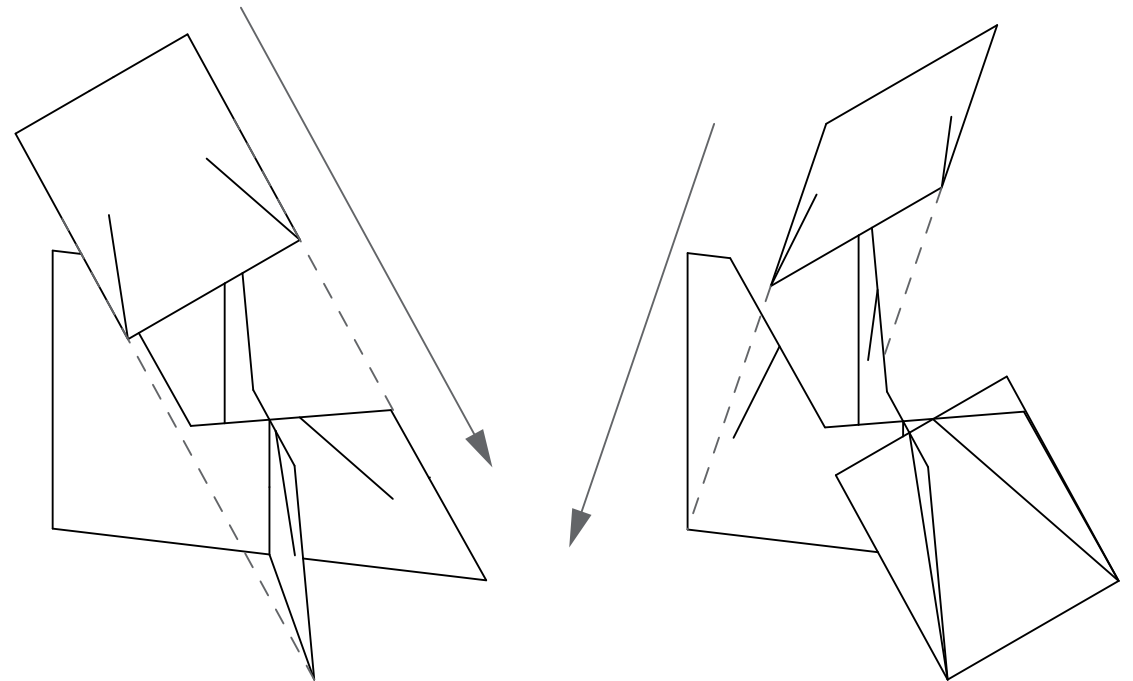
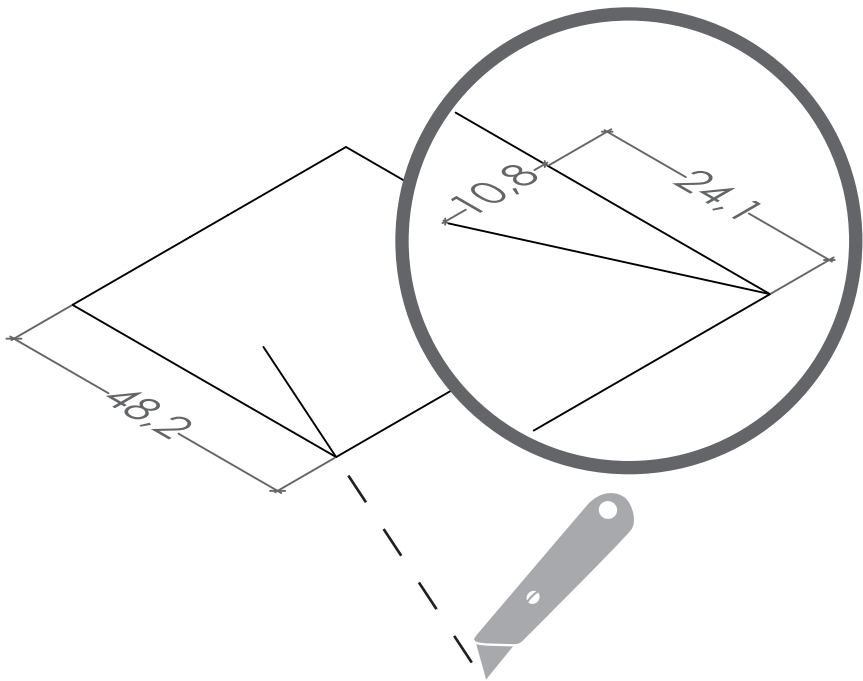
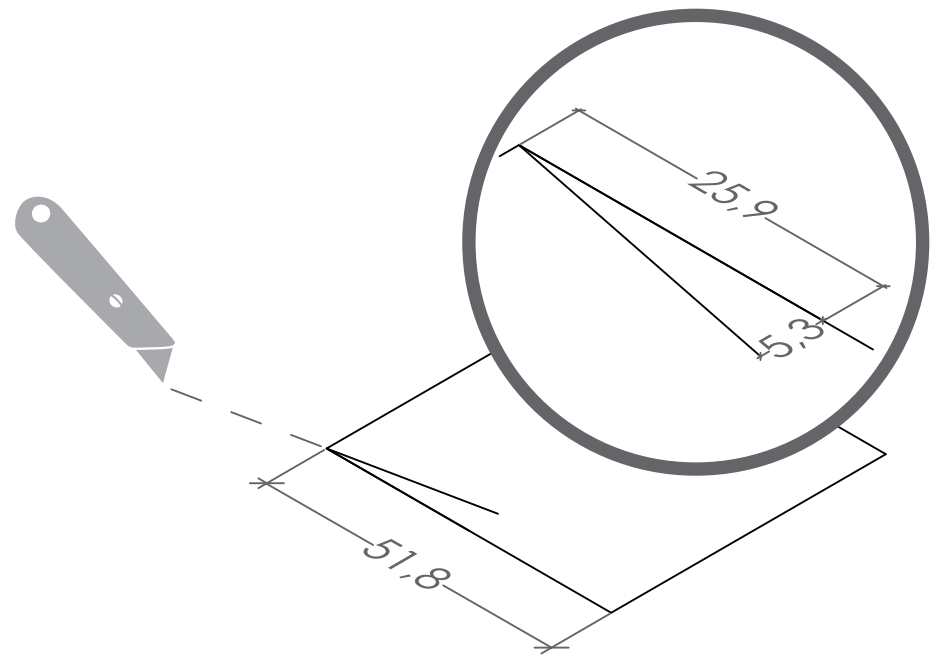
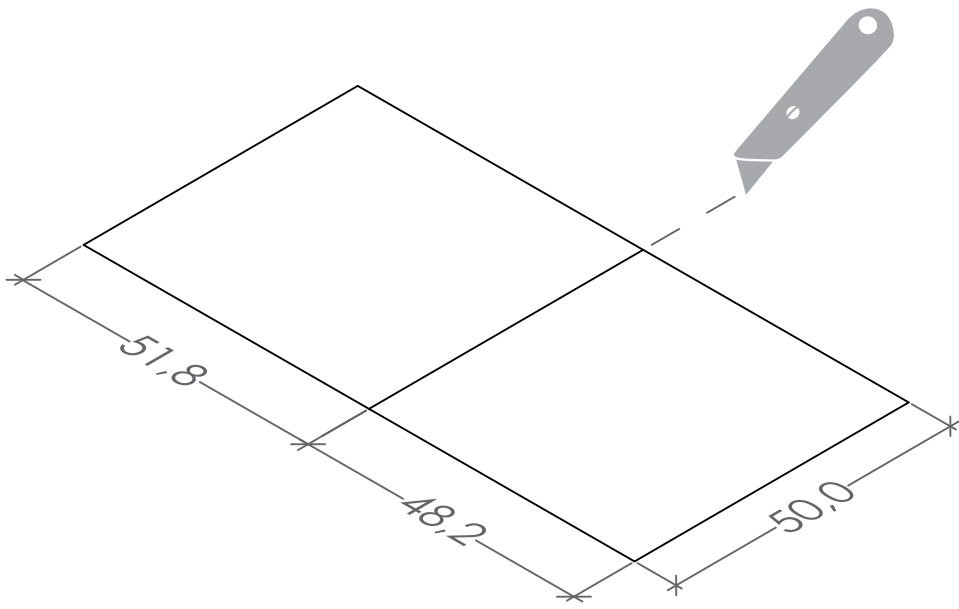


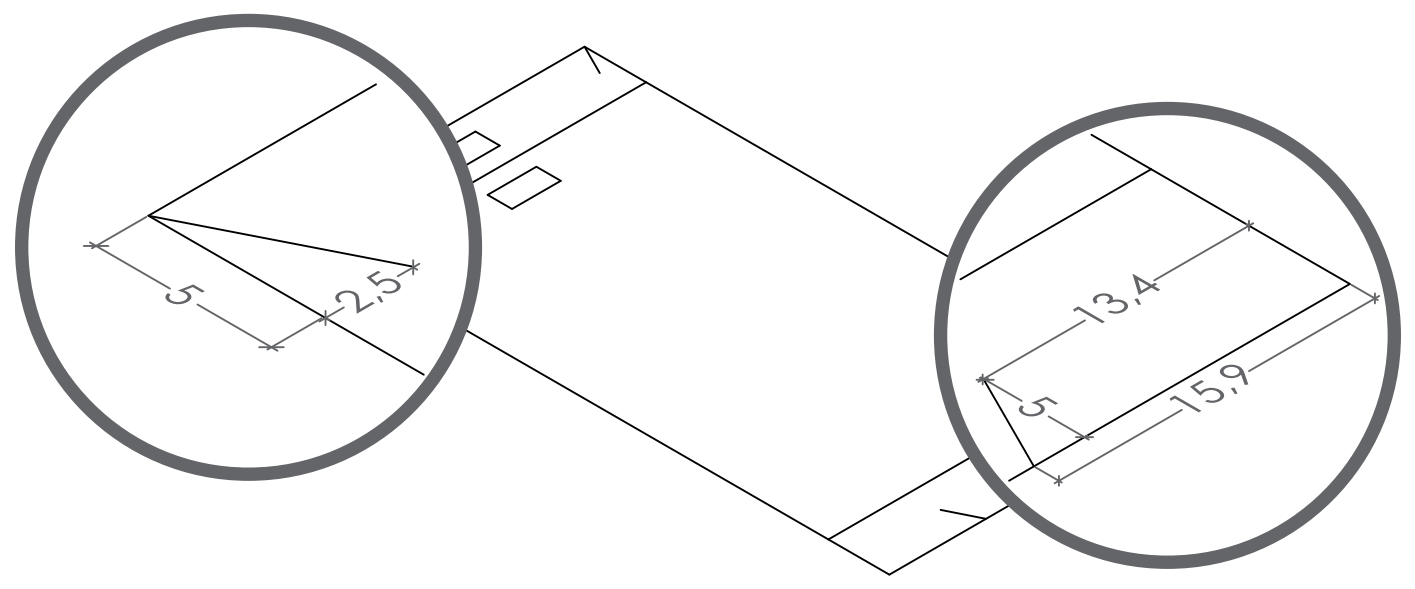
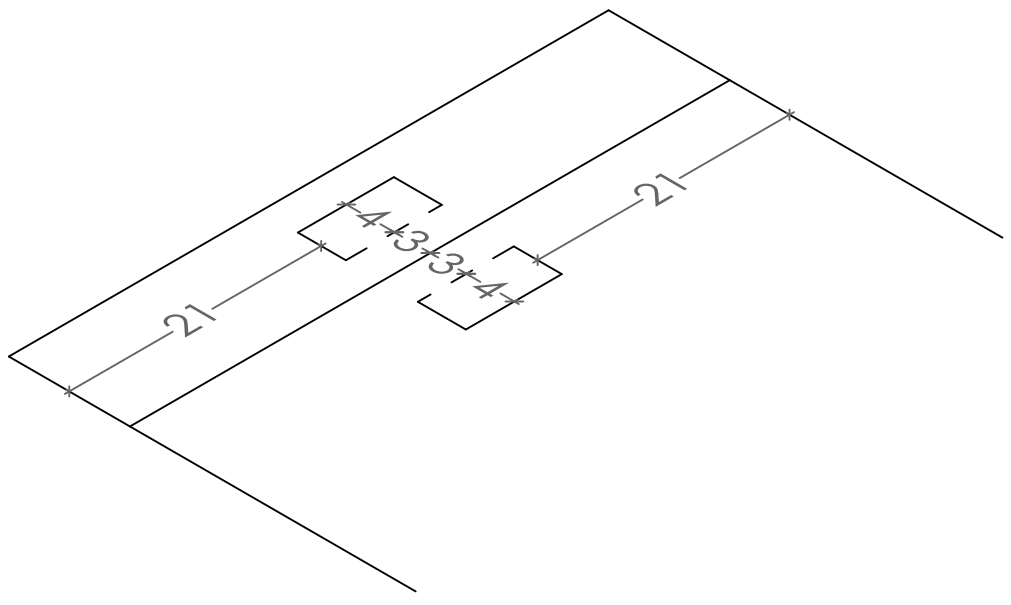
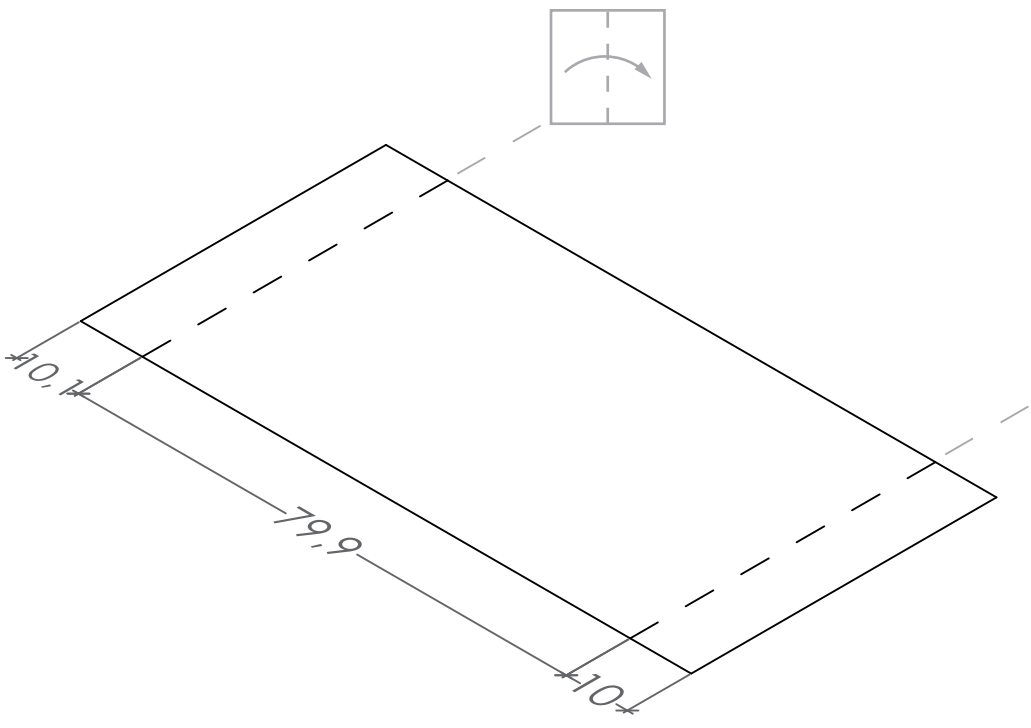
Time needed

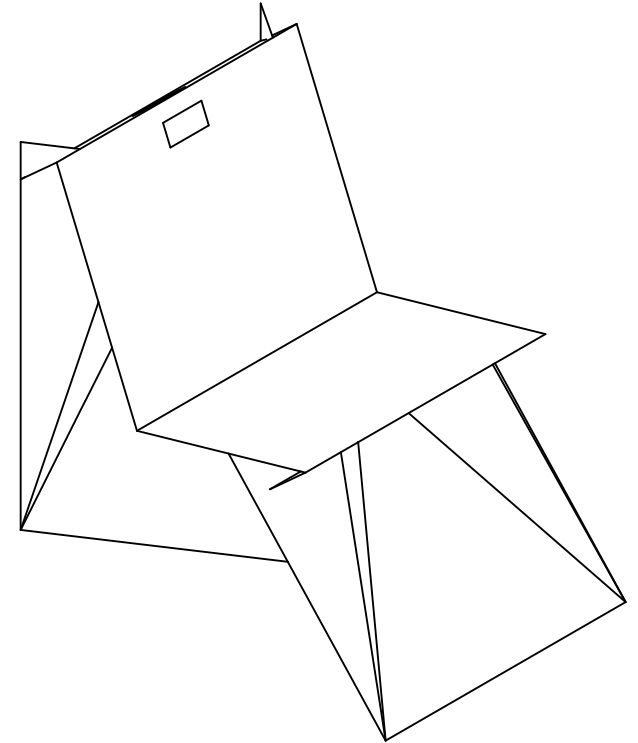
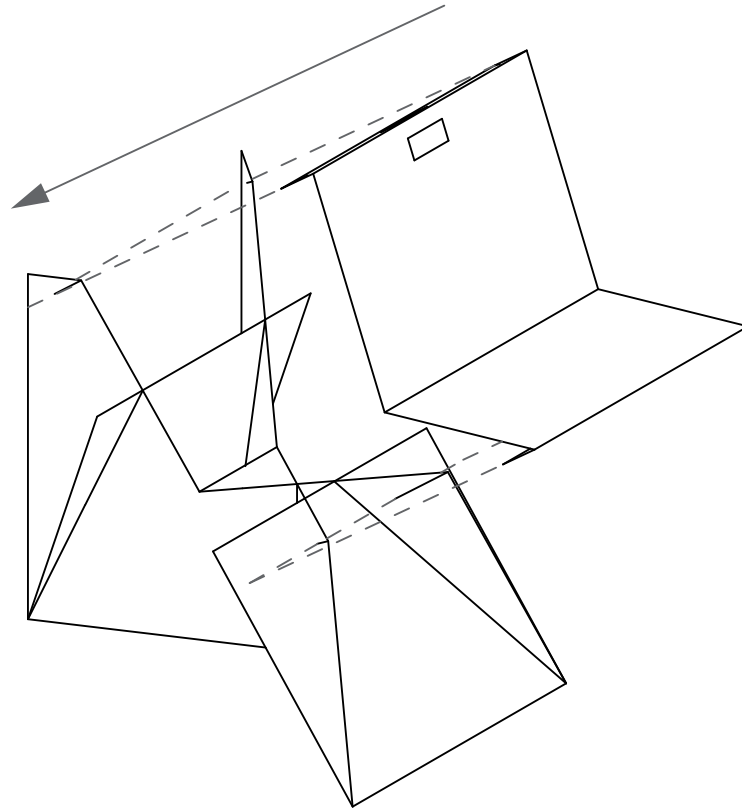
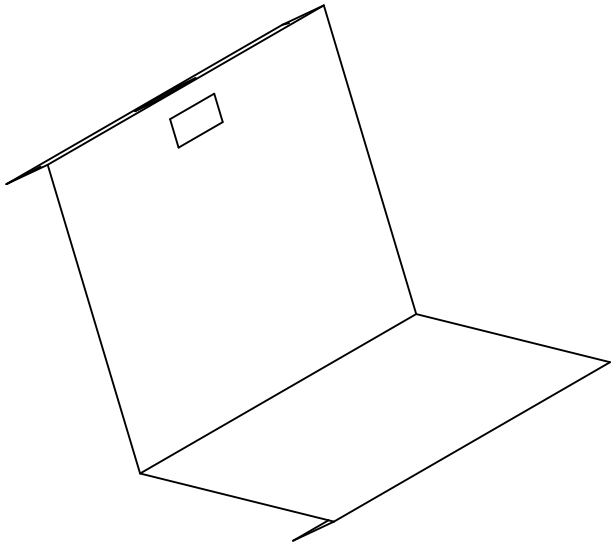
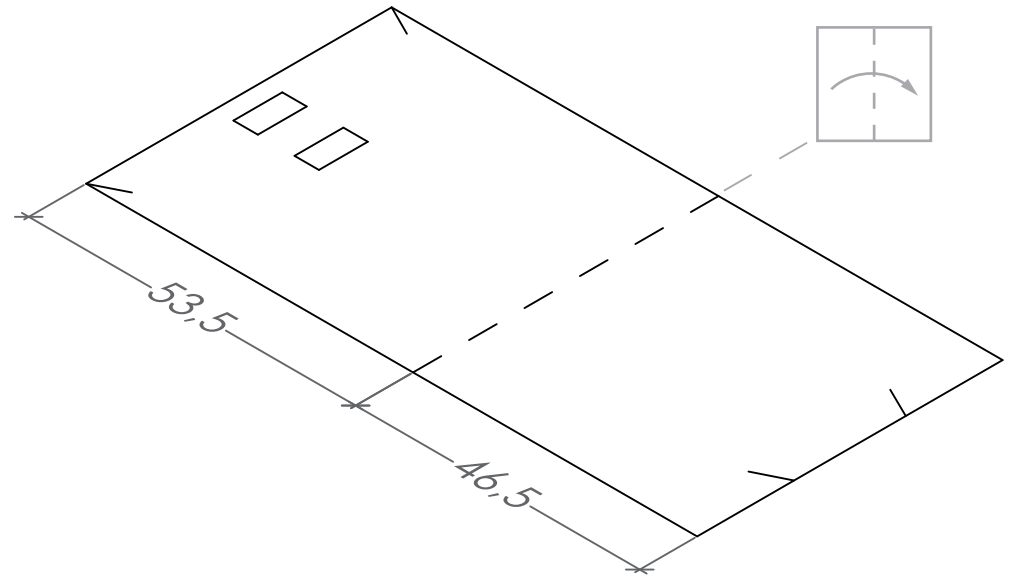
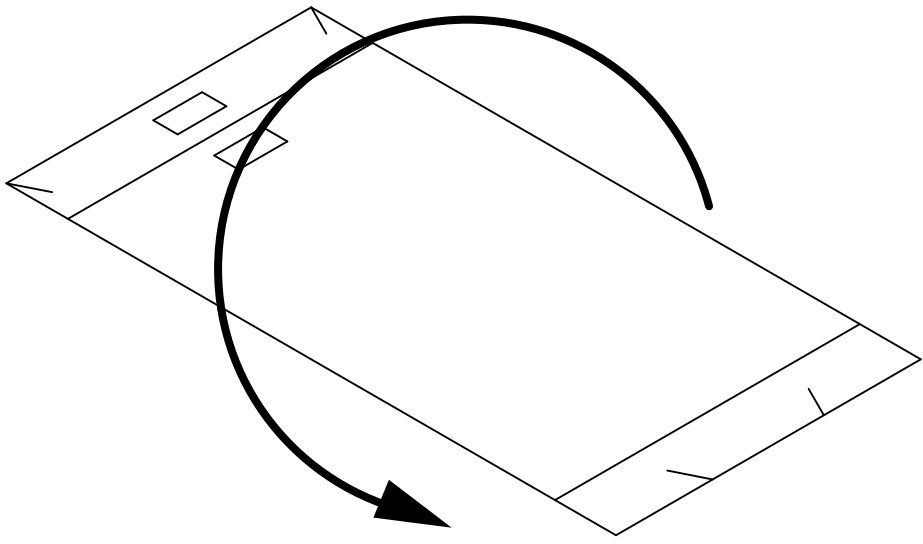
Approx. 2 hours











This project was made using only one 100x170cm sheet of cardboard, reducing the waste to a minimum. The chair can be disassembled and easily transported. The construction manual and the 3d file will be released as open source so it can be build and developed further by others to hopefully achieve the stability I wanted to reach for in the beginning.

- David Wernig, Tallinn, November 2014