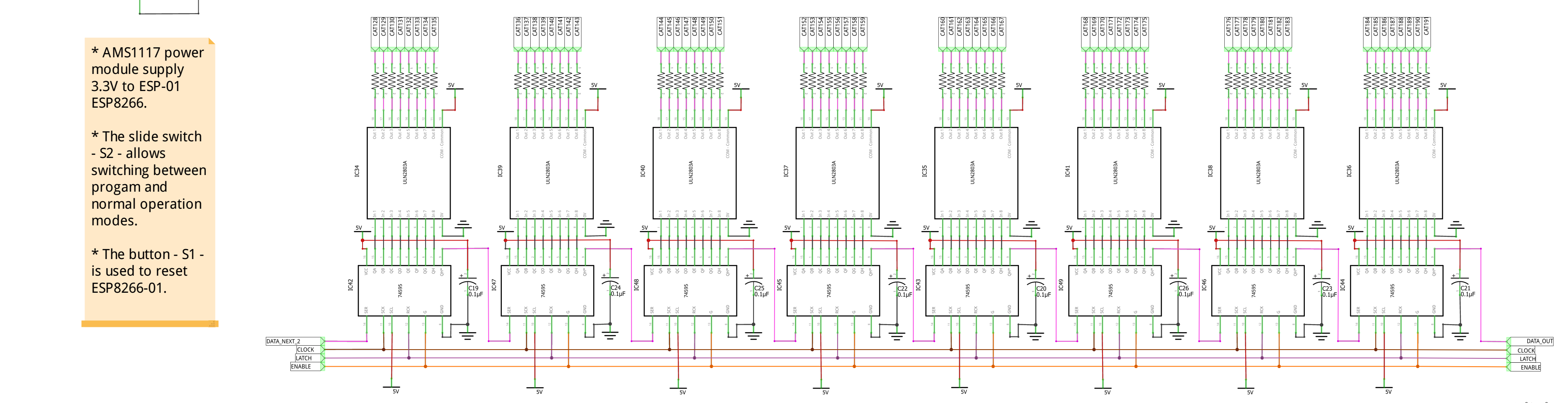
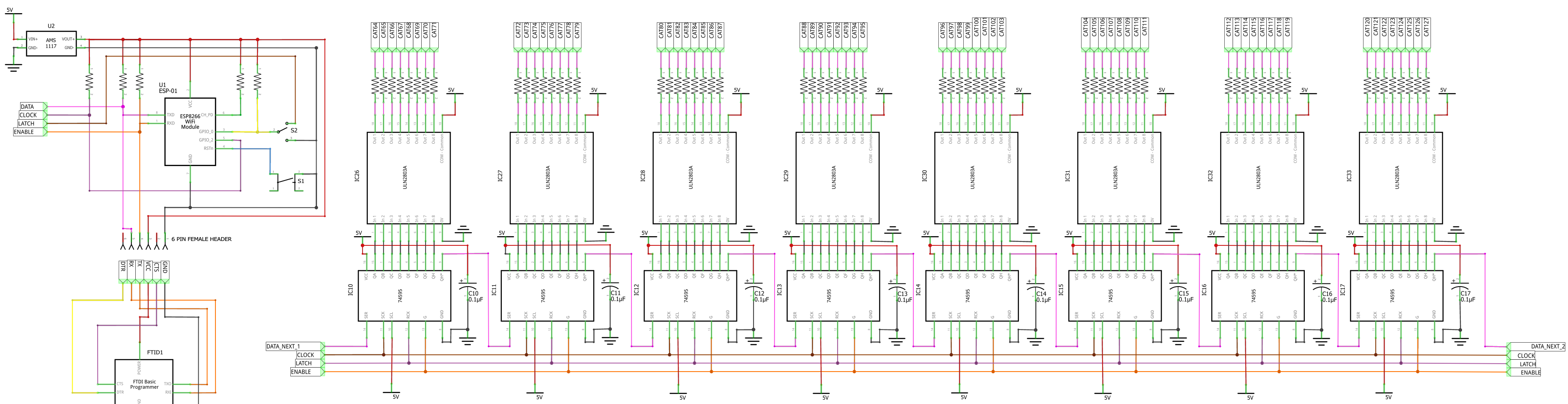
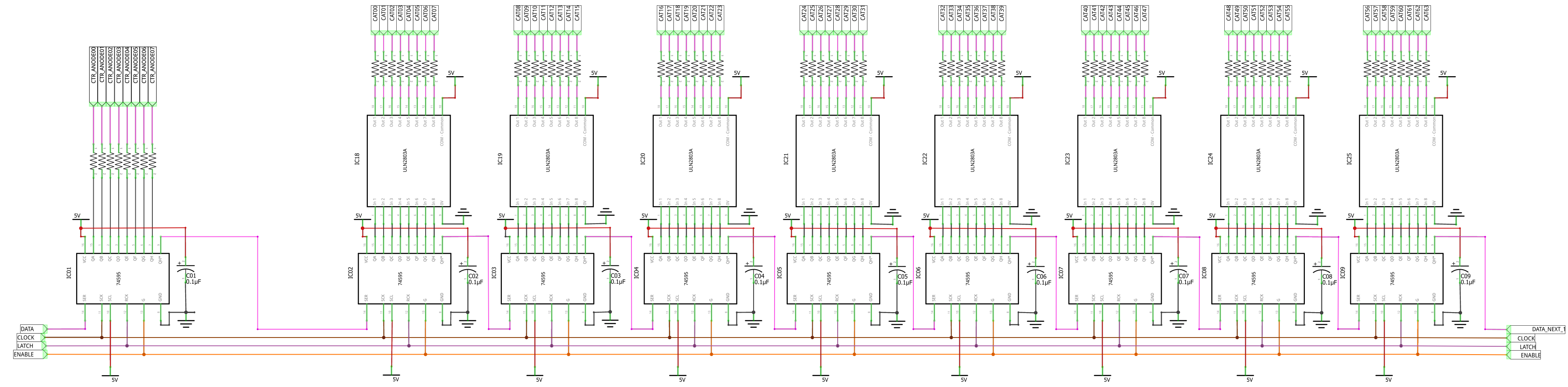
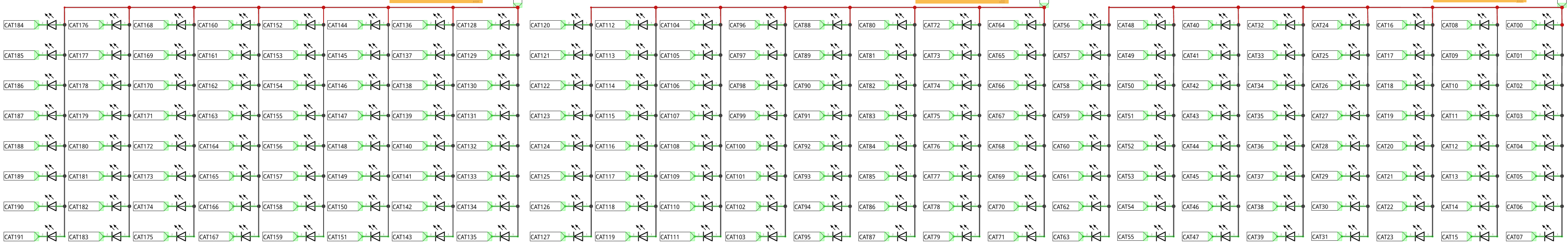


ANODE 0
BLUE LED

ANODE 0
RED LED

ANODE 0
GREEN LED



* AMS1117 power module supply 3.3V to ESP-01 ESP8266.

* The slide switch - S2 - allows switching between program and normal operation modes.

* The button - S1 - is used to reset ESP8266-01.