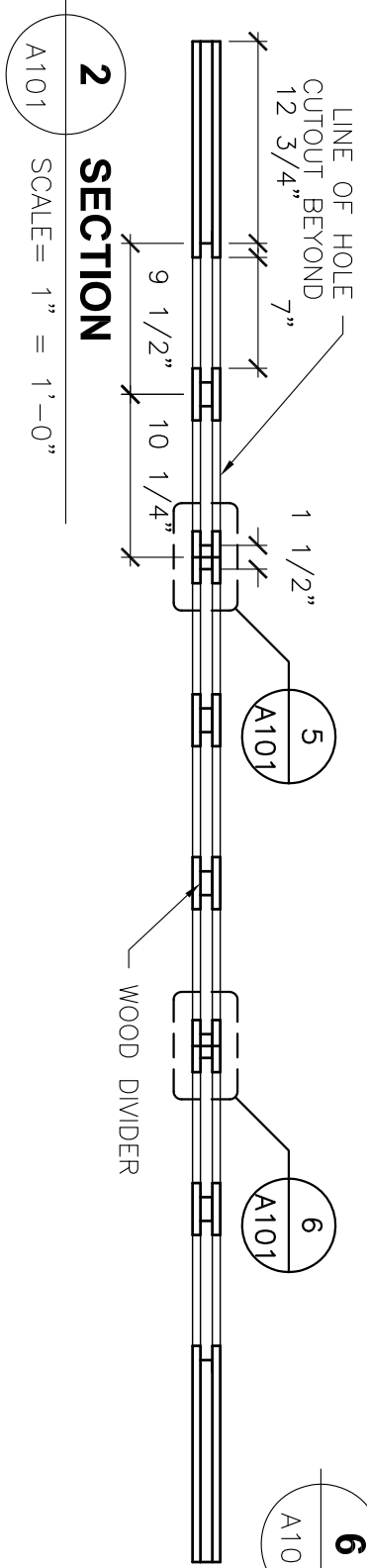
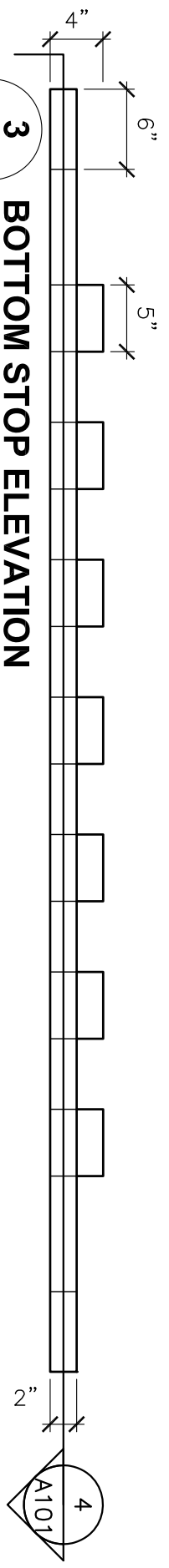


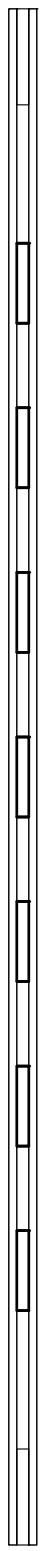
**1 FRONT ELEVATION**  
 A101 SCALE = 1/2" = 1'-0"



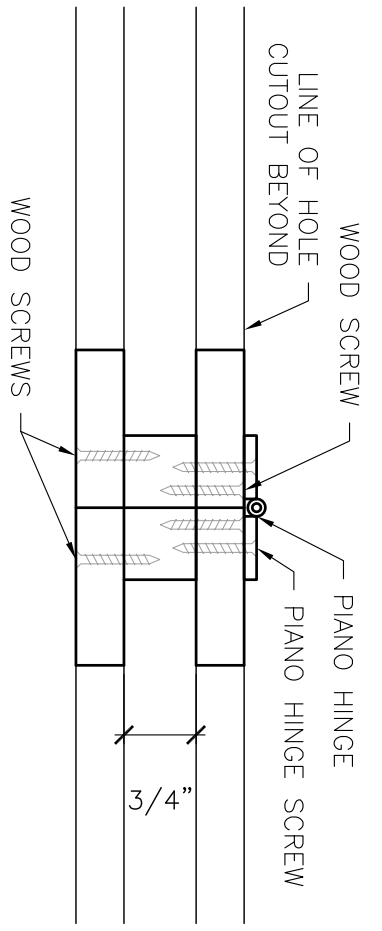
**2 SECTION**  
 A101 SCALE = 1" = 1'-0"



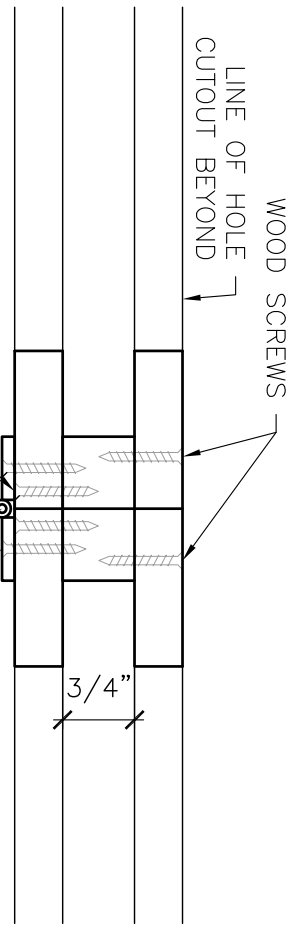
**3 BOTTOM STOP ELEVATION**  
 A101 SCALE = 1" = 1'-0"



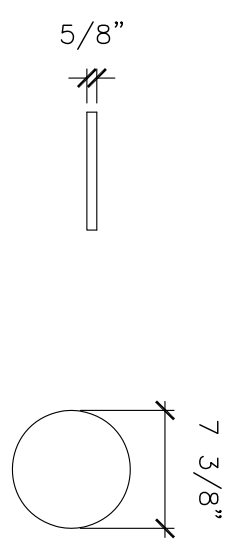
**4 BOTTOM STOP SECTION**  
 A101 SCALE = 1" = 1'-0"



**5 SECTION DETAIL**  
 A101 SCALE = 1'-0" = 1'-0"



**6 SECTION DETAIL**  
 A101 SCALE = 6" = 1'-0"



**7 DISC DETAILS**  
 A101 SCALE = 1" = 1'-0"