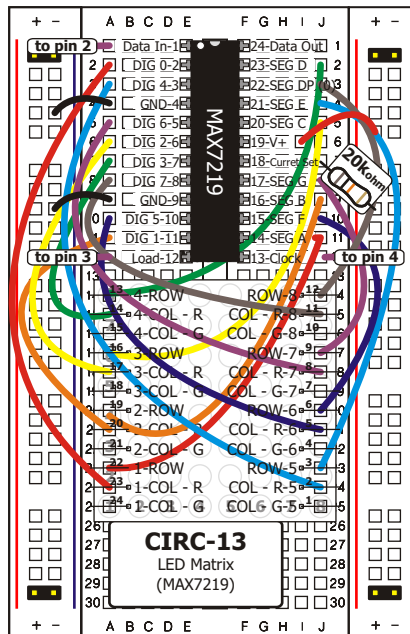


CIRC-13 LED Matrix (MAX7219)



(<http://www.arduino.cc/playground/Main/MAX72XXHardware>)

(NOTE: Breadboard dimensions vary slightly, this is calibrated to the one available from AllElectronics.com) (the change is only in the bus strips so if you take that into account it will work with all breadboards)

