

1

2

3

4

5

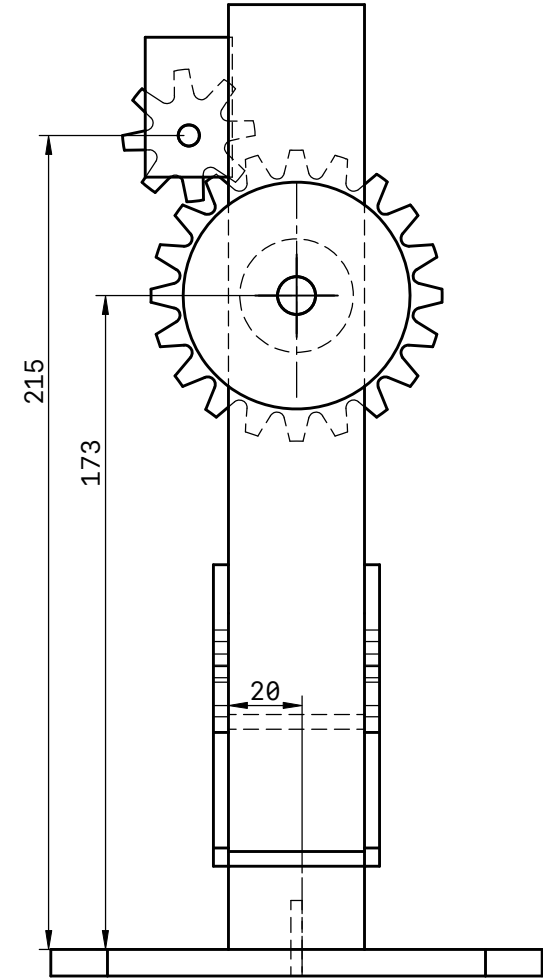
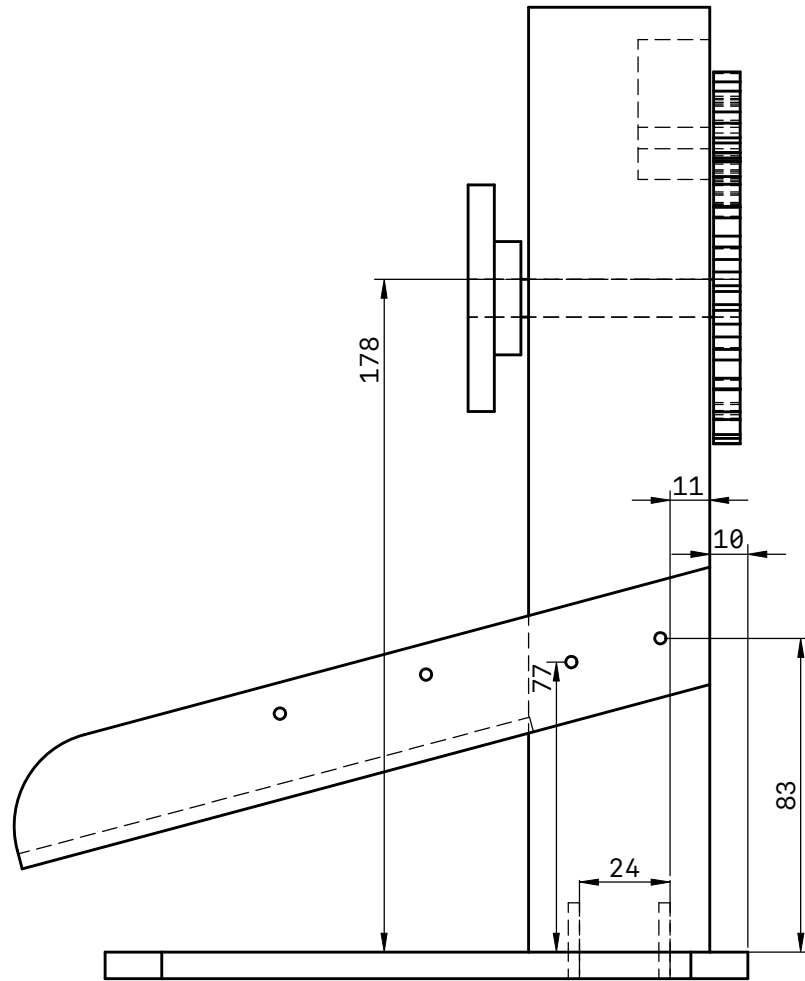
6

A

B

C

D

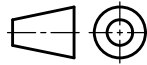


A

B

C

D

TITLE		
Catfeed - Assembly		
LAST UPDATED	UNITS	SHEET
08/13/22	mm	1 / 1
FIRST ANGLE PROJECTION	SCALE	SIZE
	1:2	A4

1

2

3

4

5

6