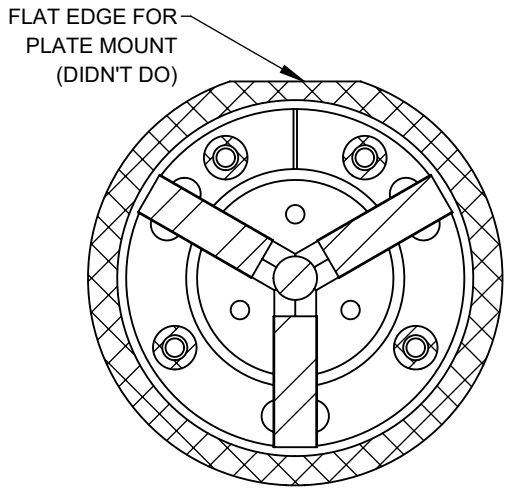
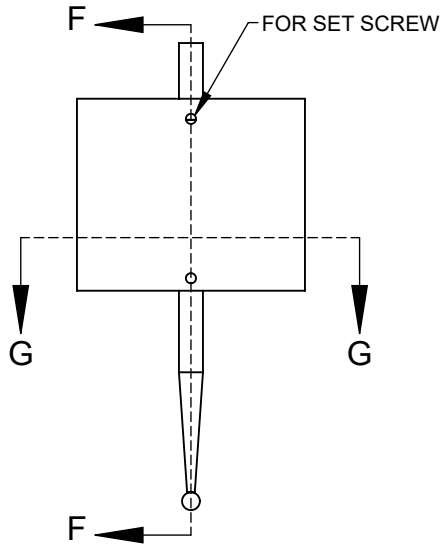
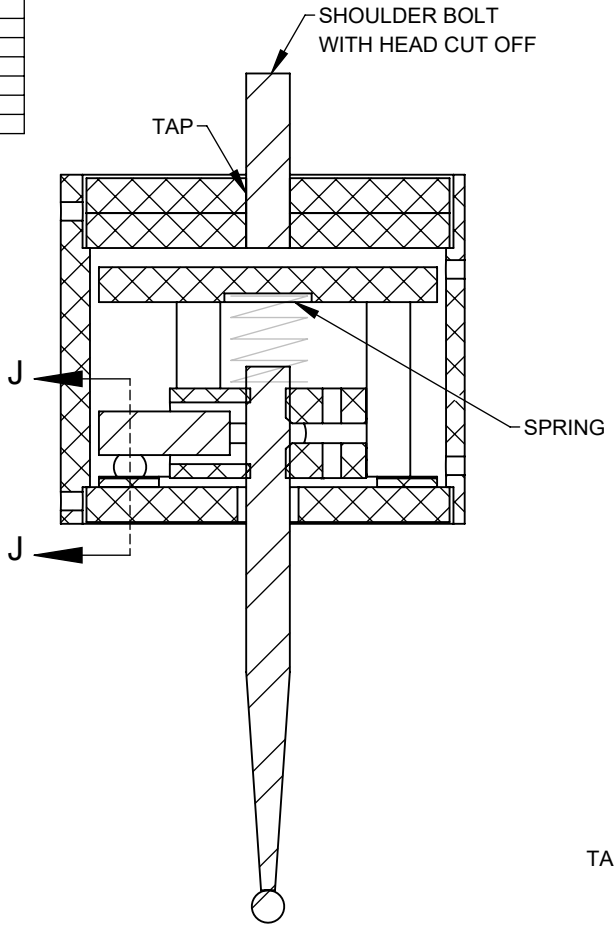


ITEM NO.	PART NUMBER	DESCRIPTION	QTY.
1	CC-TP-2	CORE PLATE	1
2	CC-TP-3	RING CIRCUIT	1
3	CC-TP-4	ROCKER PLATE	2
4	CC-TP-5	PROBE SHAFT	1
5	CC-TP-6	CAP PLATE	2
6	CC-TP-7	SHROUD	1
7	CC-TP-8	SPRING PLATE	1

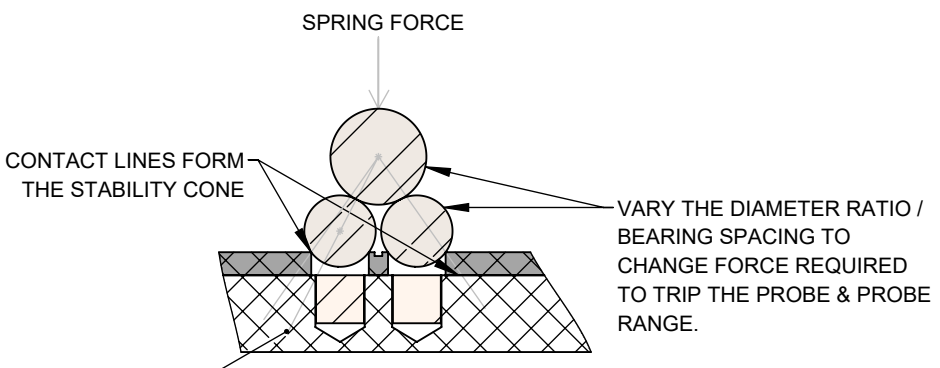


SECTION G-G

REACTION FORCE WILL BE ALONG THIS LINE.
THIS LINE MUST BE IN STABILITY CONE OR
SPRING FORCE WILL DISLodge BALLS



SECTION F-F



SECTION J-J

