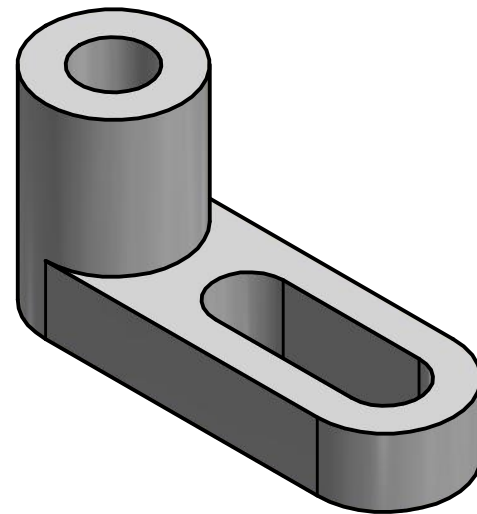
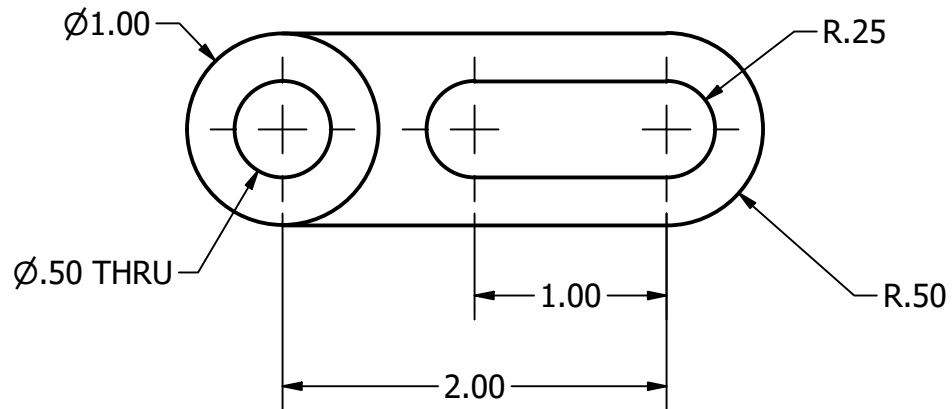


2

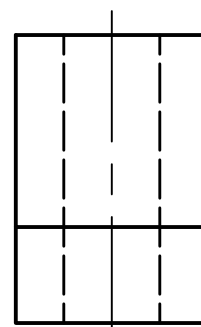
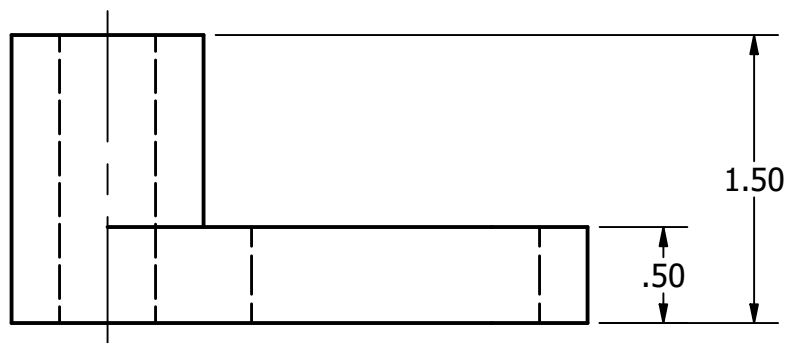


1

B



B



**NOTE:  
MATERIAL-  
ABS PLASTIC**

A

A



mwilds

CAD Challenge Model 2.idw

GREENSBURG COMMUNITY HIGH SCHOOL

INTRODUCTION TO ENGINEERING DESIGN

2



1