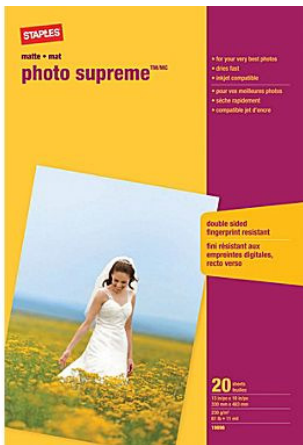




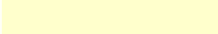


## Crafting supplies you may need:

1. Your obsession for detail
2. Wide Format Color Printer (Epson Stylus Photo 1400)
3. Super-B (13"x19") Photo Supreme Matte Paper
4. Foamcore for cup bottom (optional)
5. Scissors
6. Glue Stick – Transparent
7. Super Glue – Preferably Loctite Brand

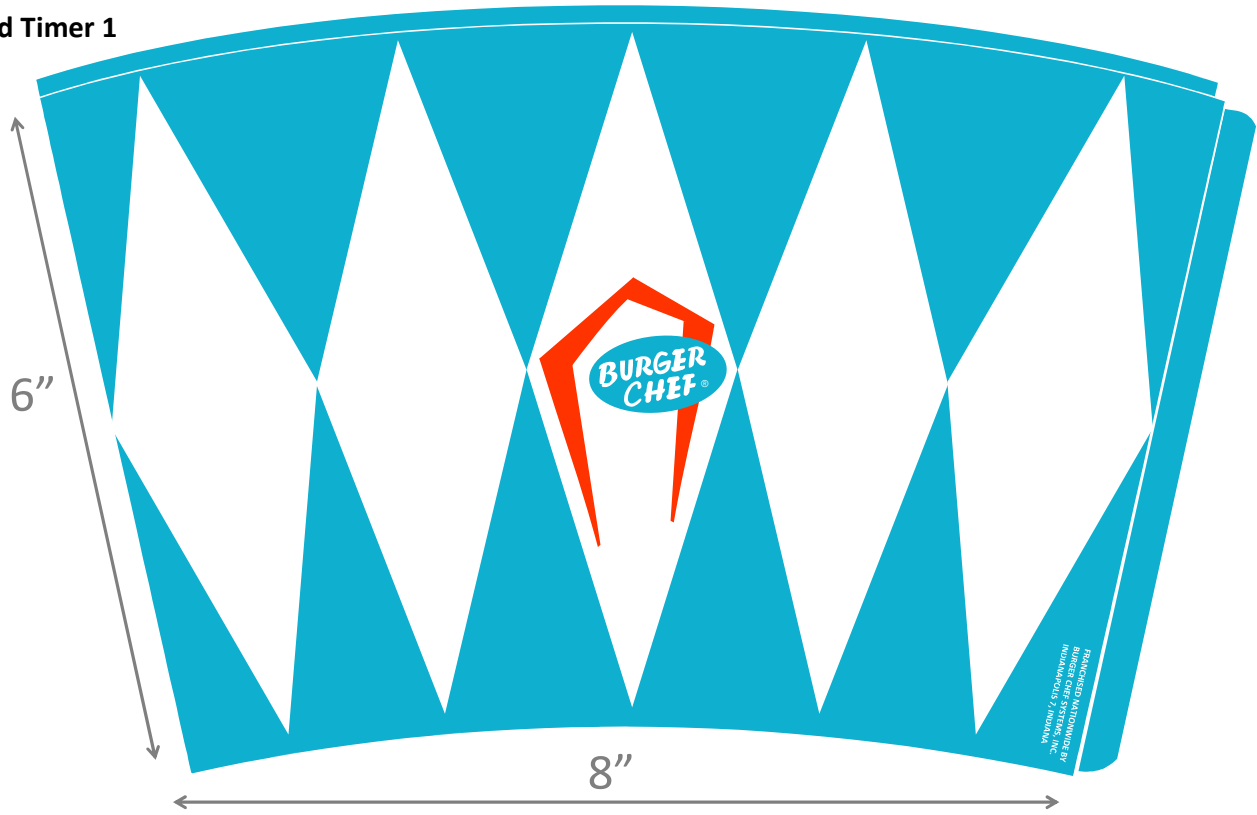


### Burger Chef - Vintage Revisionist - Color Palette

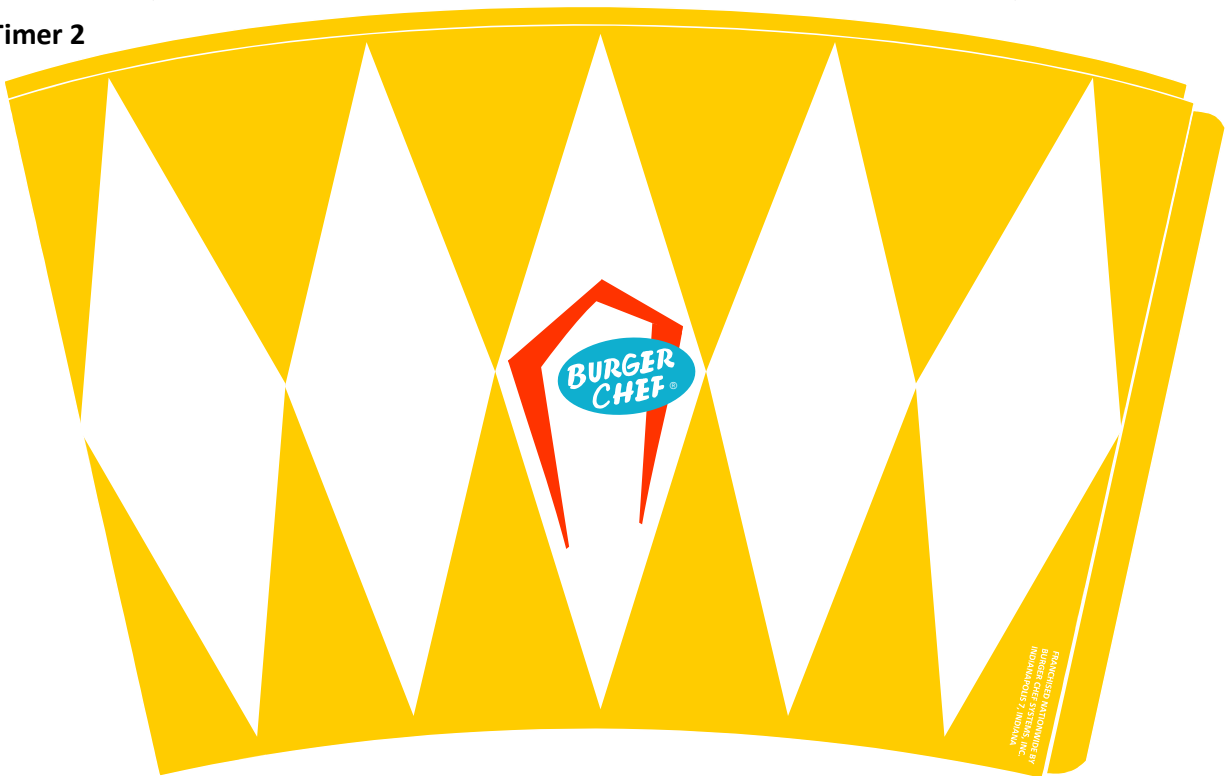
Nick Name	Sample	RGB	Instead of...
True Black		0,0,0	
Aqua Clean		15,175,207	Blue
Action Orange		255,51,0	Red
Vintage Teal		33,89,104	Green
Vintage Cream		255,255,204	White

10 1/2"

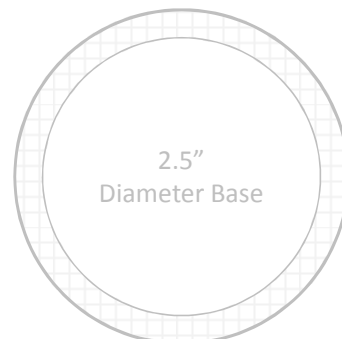
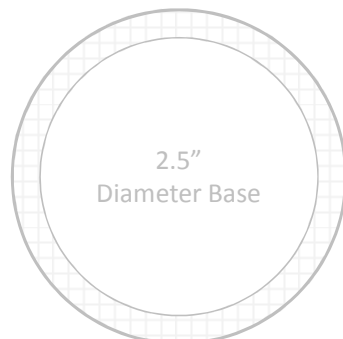
Old Timer 1



Old Timer 2

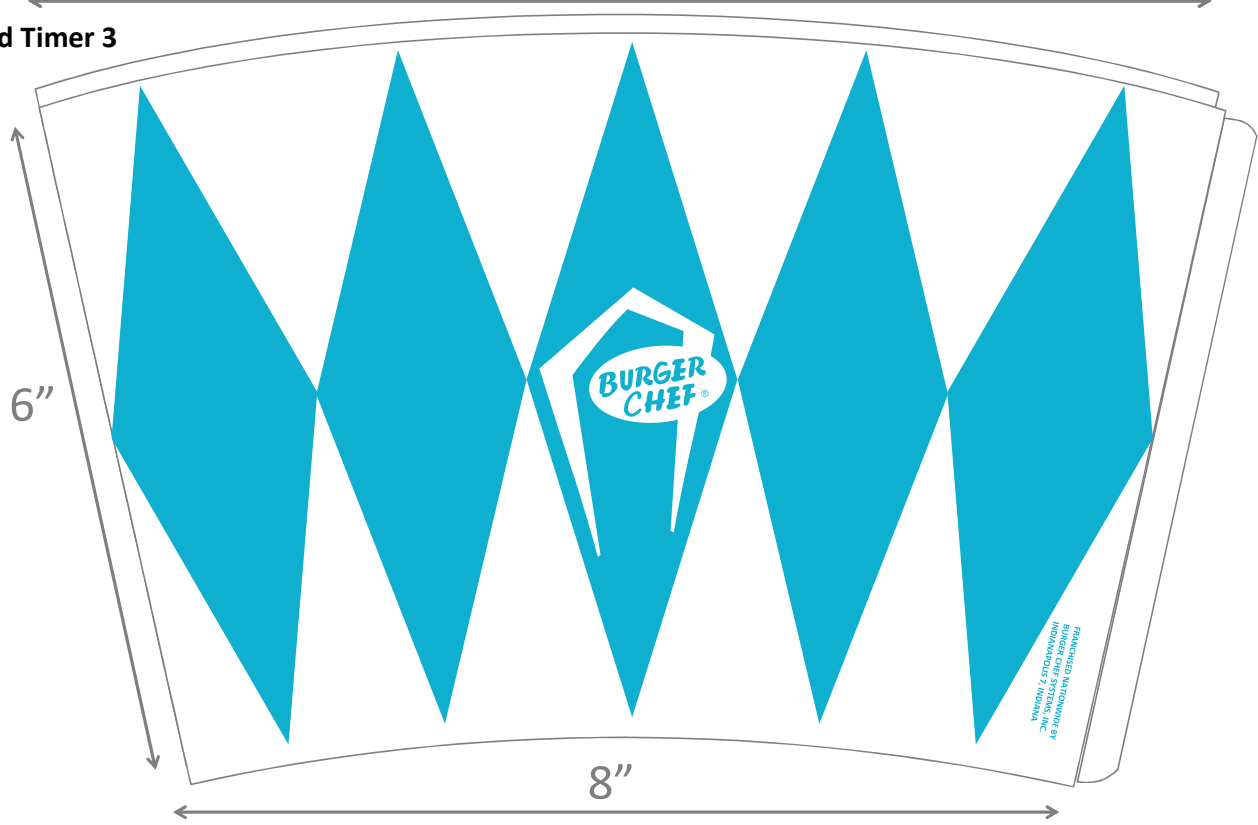


Nick Name	Sample	RGB	Instead of...
True Black		0,0,0	
Aqua Clean		15,175,207	Blue
Action Orange		255,51,0	Red
Vintage Teal		33,89,104	Green
Vintage Cream		255,255,204	White



10 1/2"

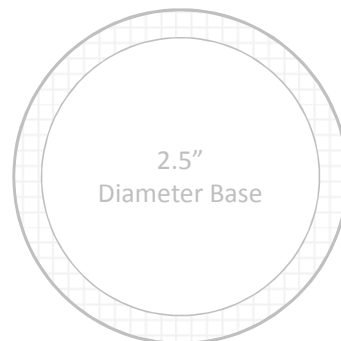
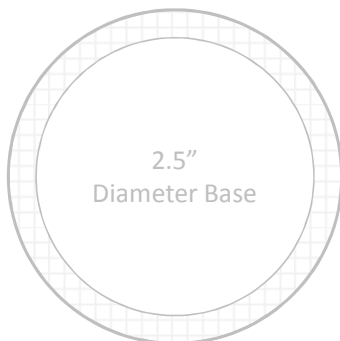
Old Timer 3



Old Timer 4

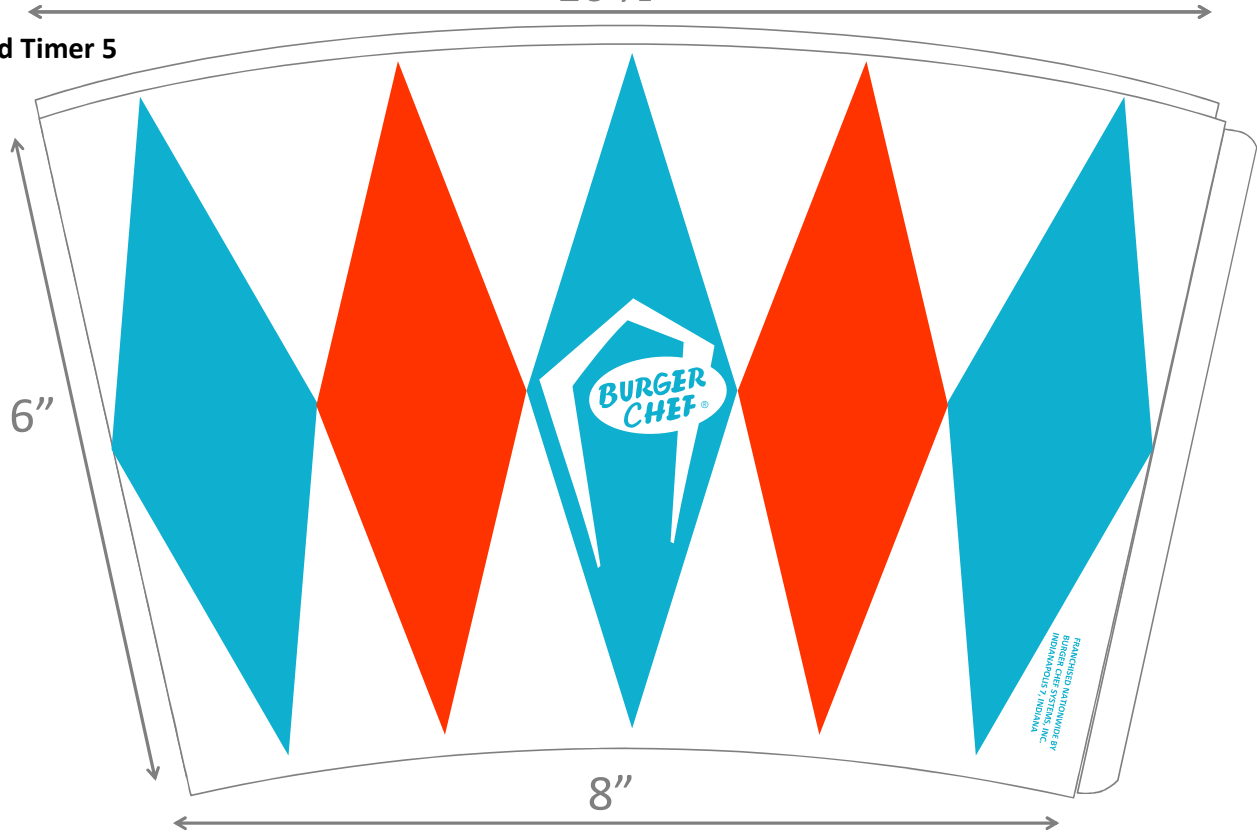


Nick Name	Sample	RGB	Instead of...
True Black		0,0,0	
Aqua Clean		15,175,207	Blue
Action Orange		255,51,0	Red
Vintage Teal		33,89,104	Green
Vintage Cream		255,255,204	White

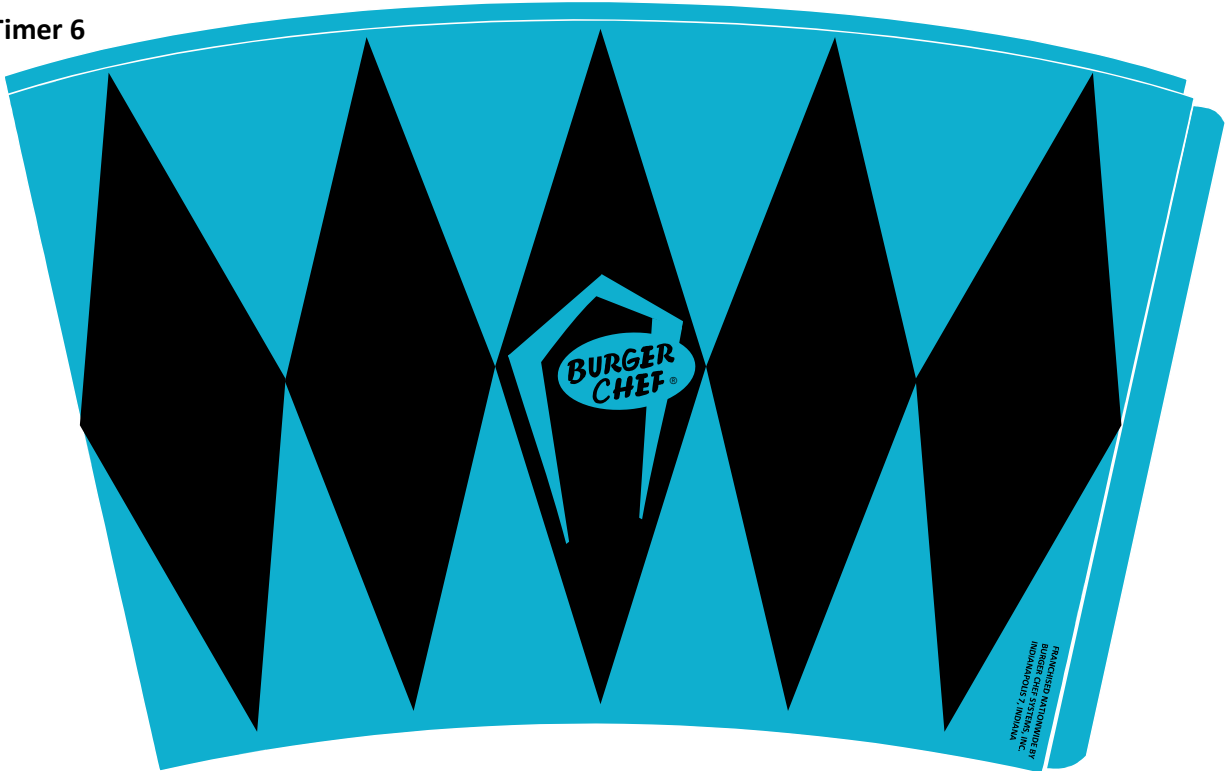


10 1/2"

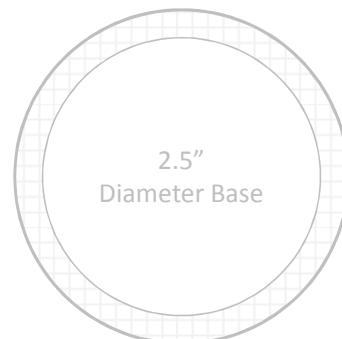
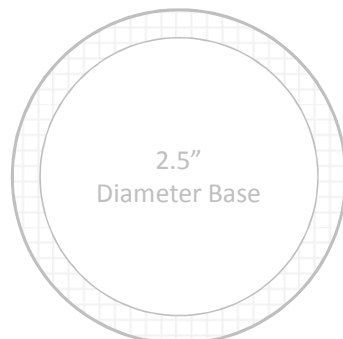
Old Timer 5



Old Timer 6

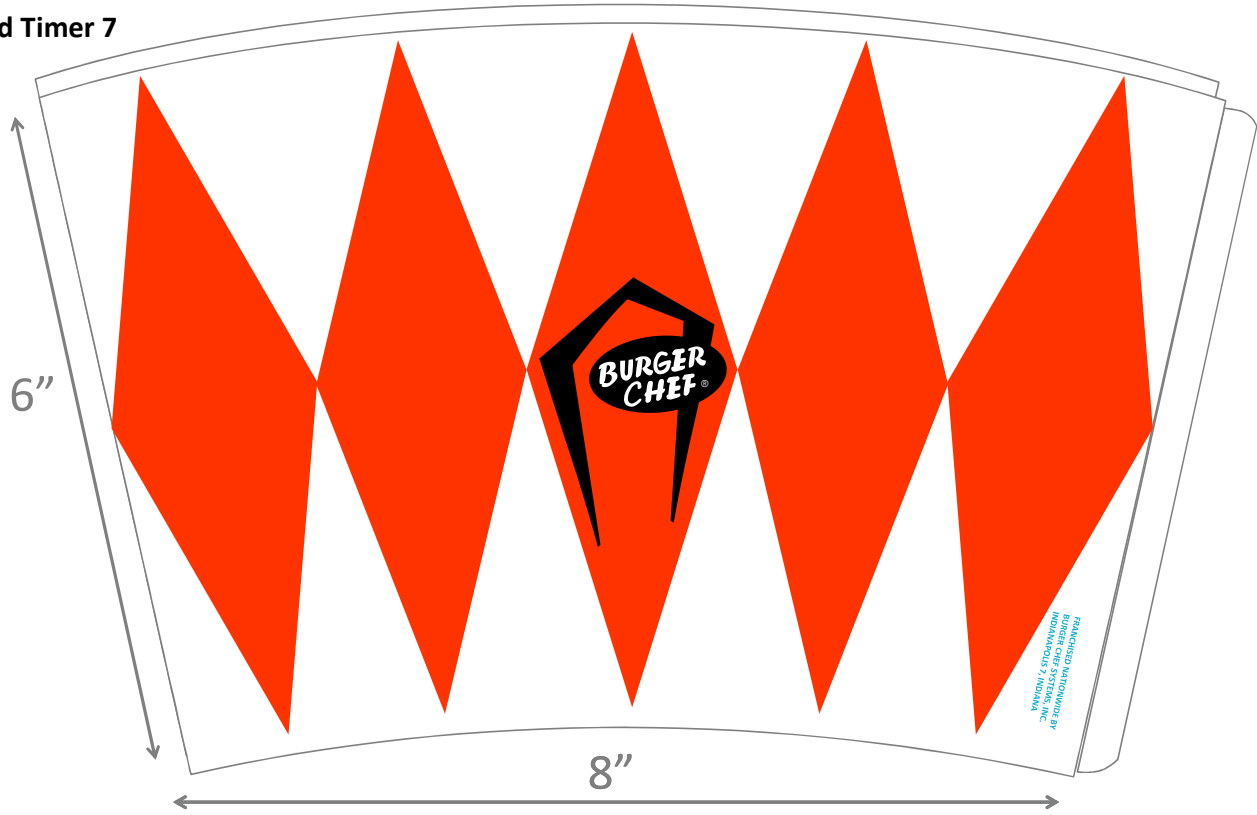


Nick Name	Sample	RGB	Instead of...
True Black		0,0,0	
Aqua Clean		15,175,207	Blue
Action Orange		255,51,0	Red
Vintage Teal		33,89,104	Green
Vintage Cream		255,255,204	White

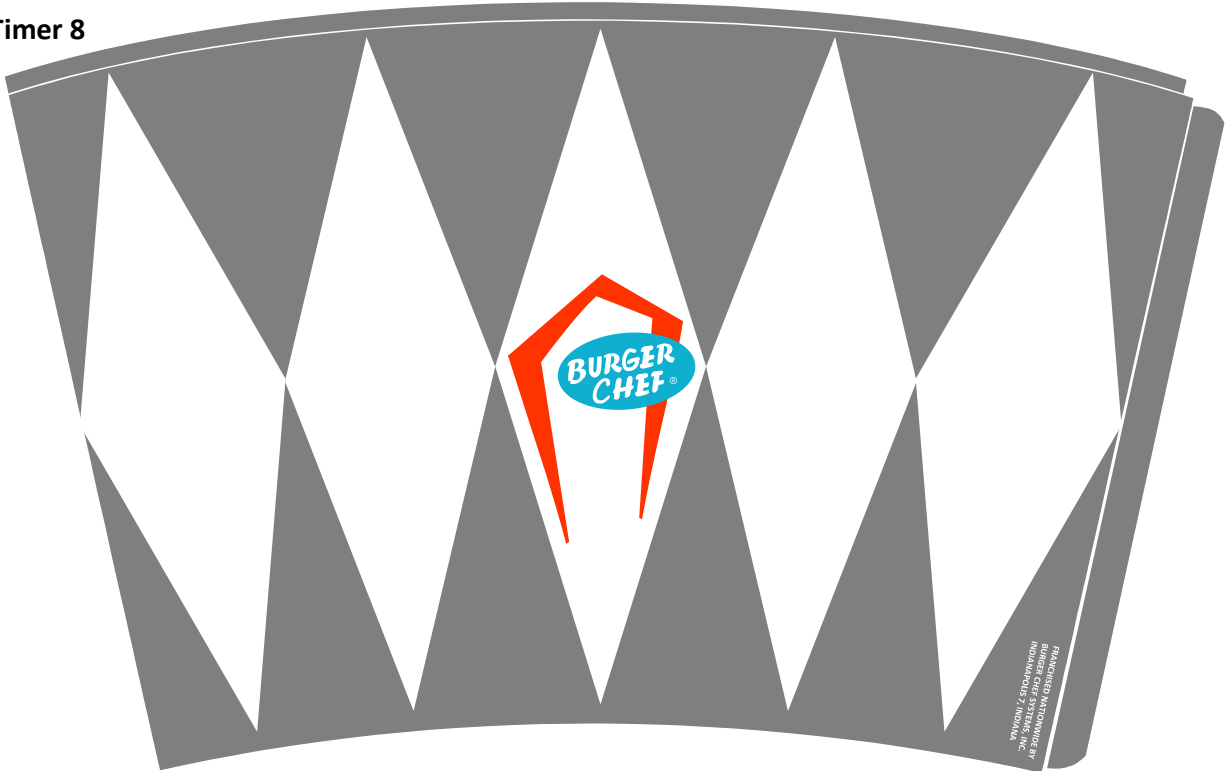


10 1/2"

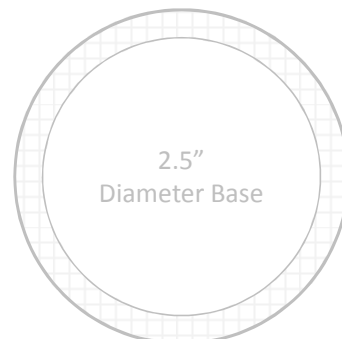
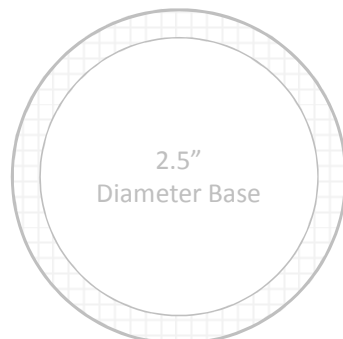
**Old Timer 7**



**Old Timer 8**



Nick Name	Sample	RGB	Instead of...
True Black		0,0,0	
Aqua Clean		15,175,207	Blue
Action Orange		255,51,0	Red
Vintage Teal		33,89,104	Green
Vintage Cream		255,255,204	White



10 1/2"

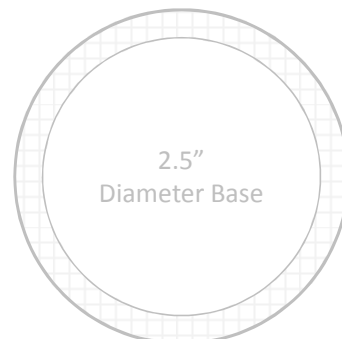
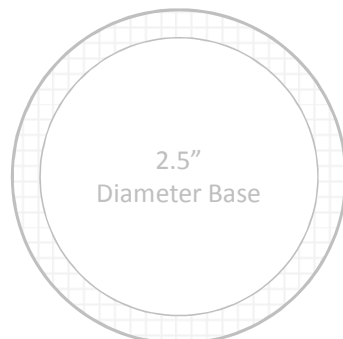
Old Timer 9



Old Timer 10

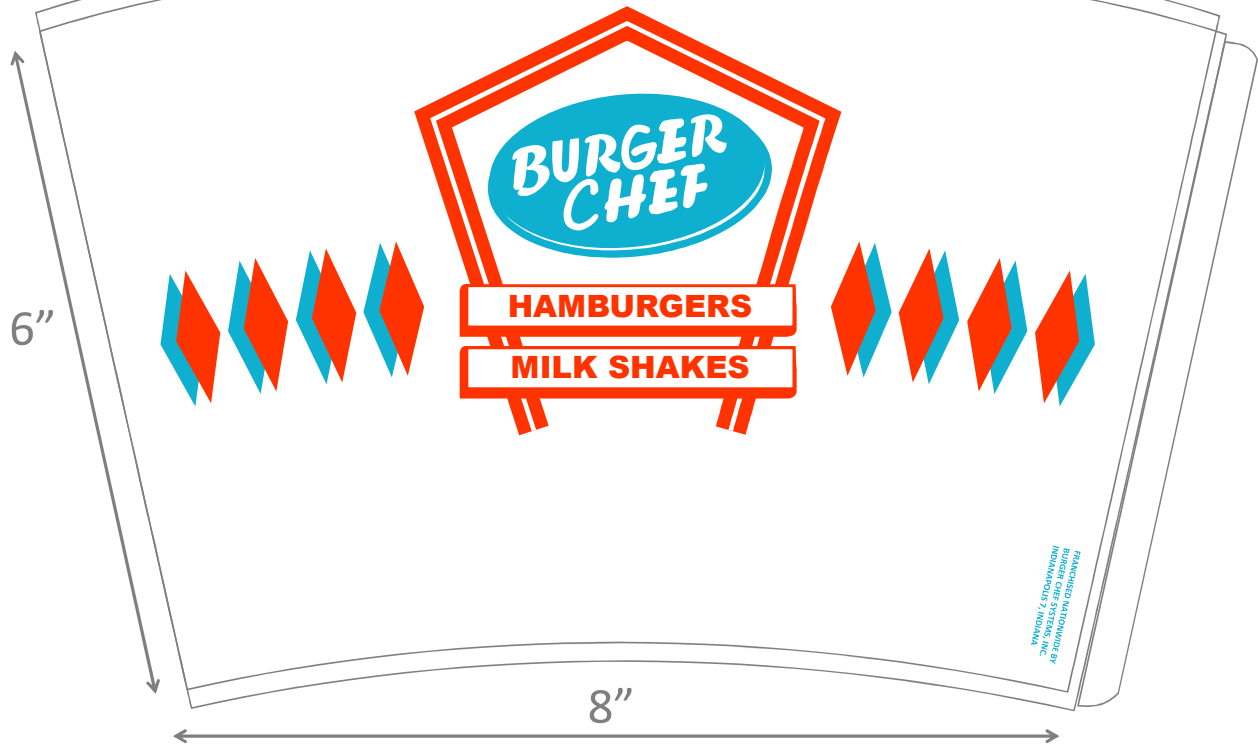


Nick Name	Sample	RGB	Instead of...
True Black		0,0,0	
Aqua Clean		15,175,207	Blue
Action Orange		255,51,0	Red
Vintage Teal		33,89,104	Green
Vintage Cream		255,255,204	White

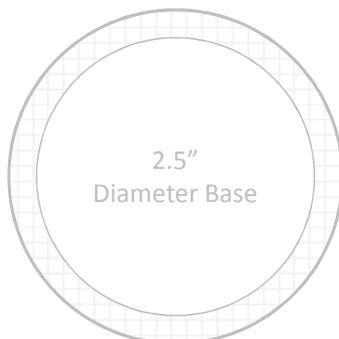
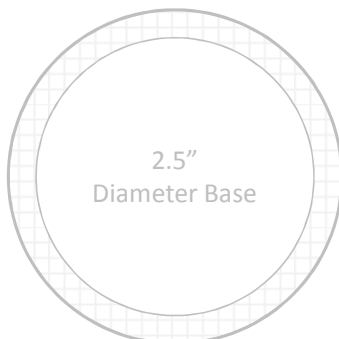


10 1/2"

**Pop-Soda**



**Milk Shake**



Nick Name	Sample	RGB	Instead of...
True Black		0,0,0	
Aqua Clean		15,175,207	Blue
Action Orange		255,51,0	Red
Vintage Teal		33,89,104	Green
Vintage Cream		255,255,204	White

10 1/2"

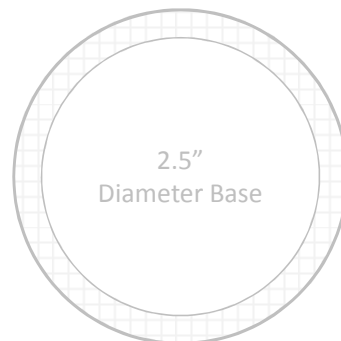
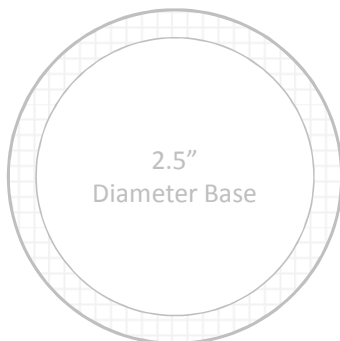
Coffee 1



Coffee 2



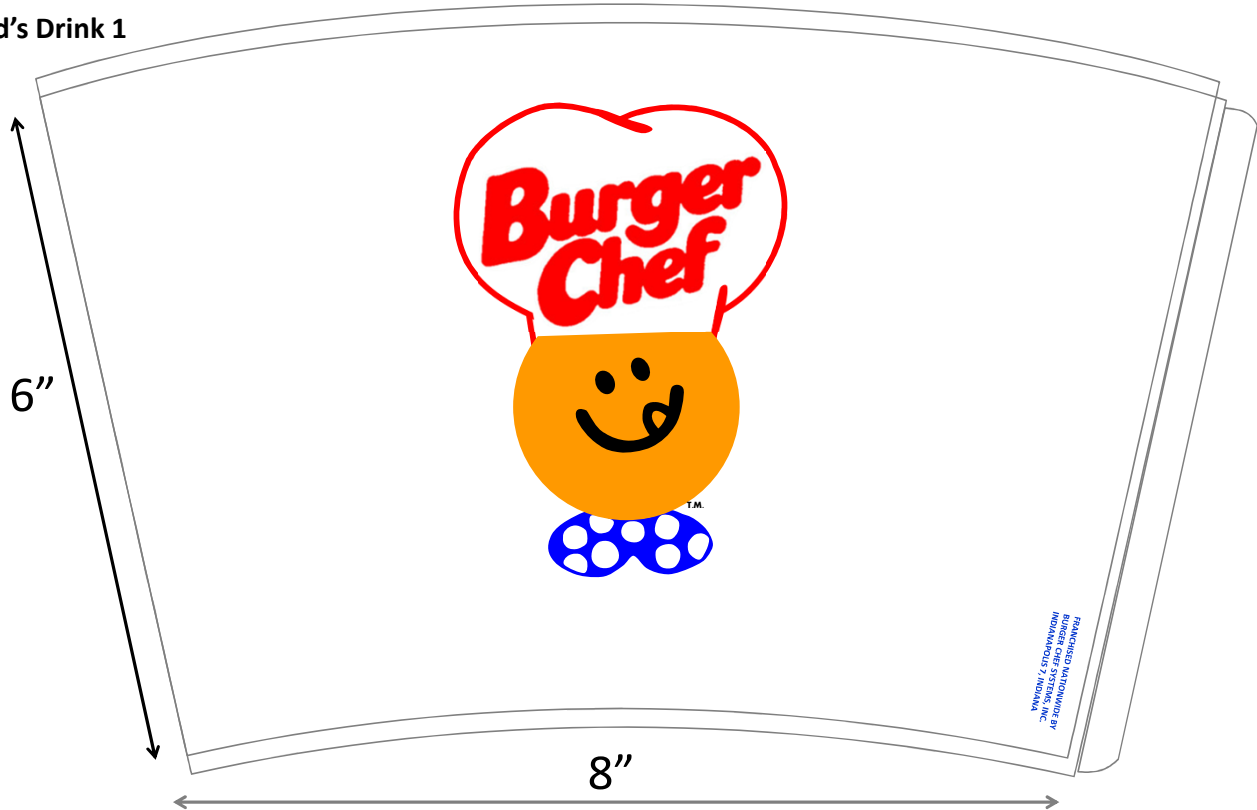
Nick Name	Sample	RGB	Instead of...
True Black		0,0,0	
Aqua Clean		15,175,207	Blue
Action Orange		255,51,0	Red
Vintage Teal		33,89,104	Green
Vintage Cream		255,255,204	White



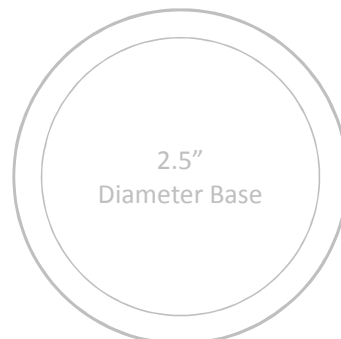
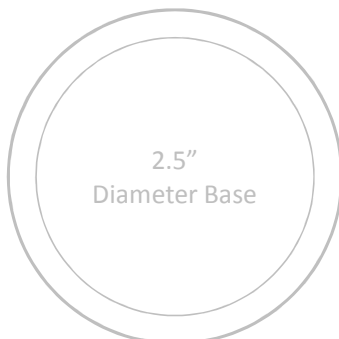
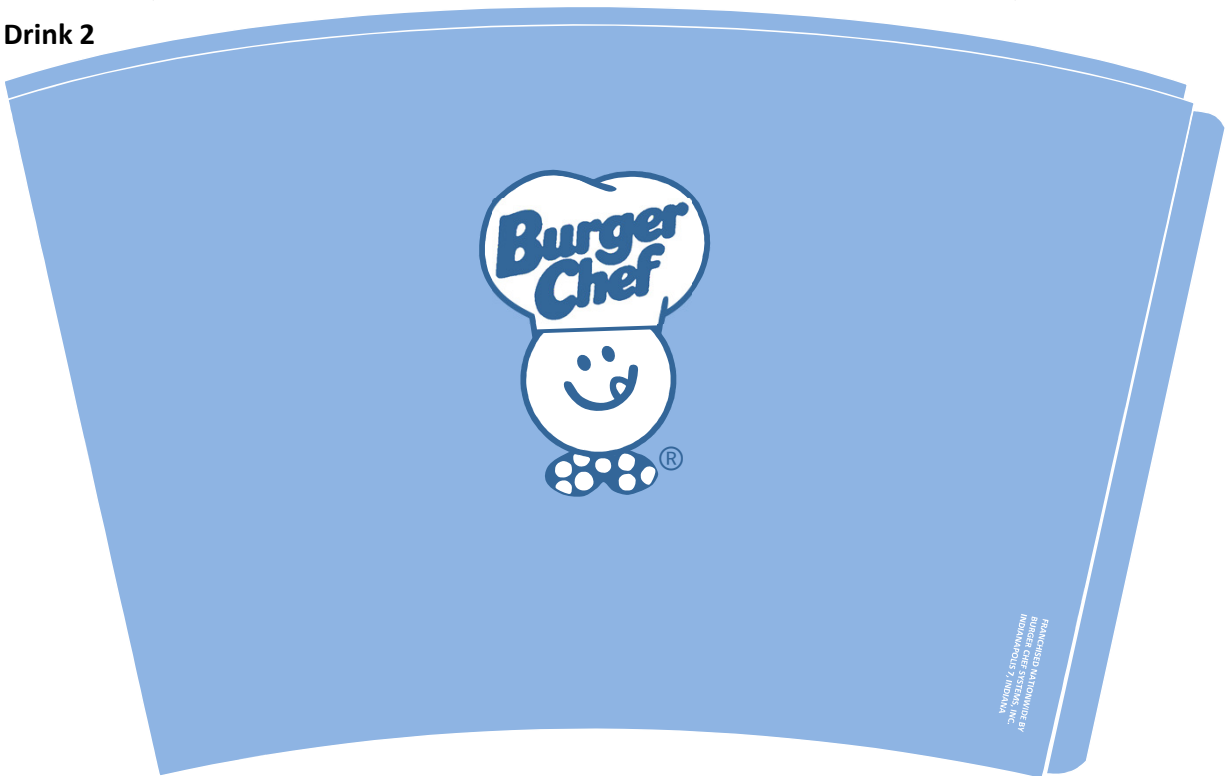


10 1/2"

Kid's Drink 1



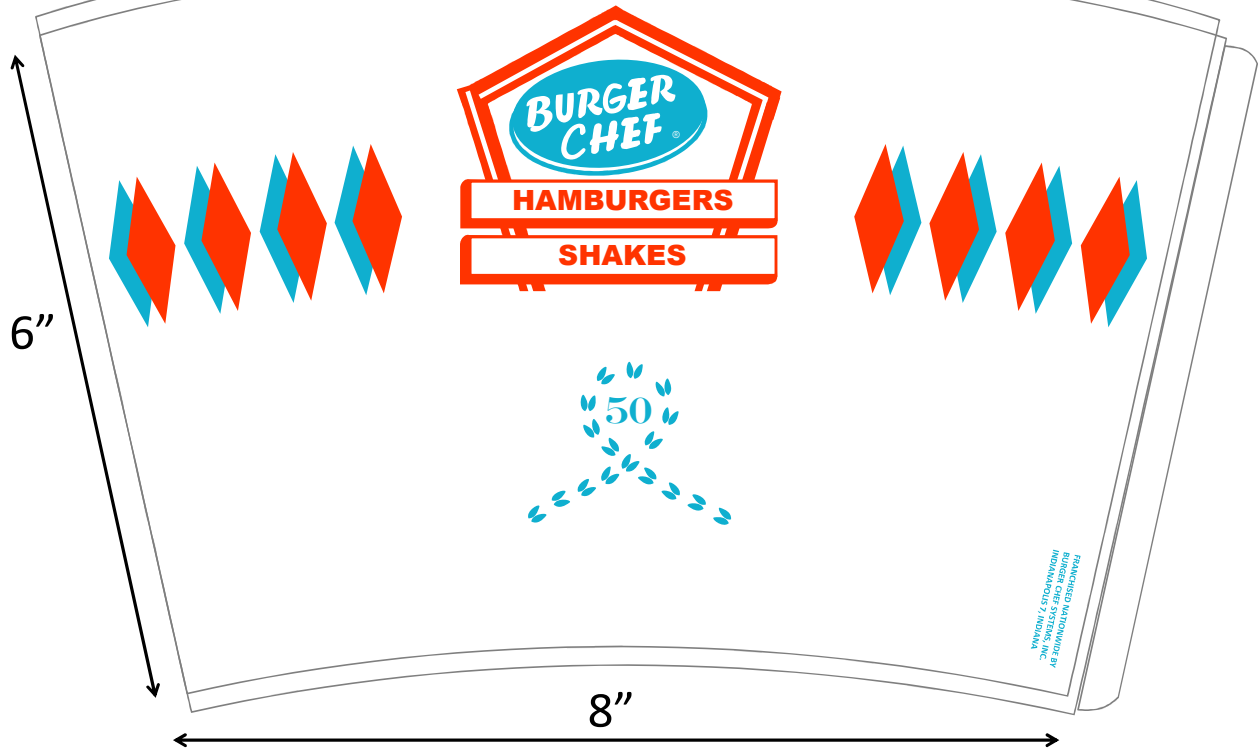
Kid's Drink 2



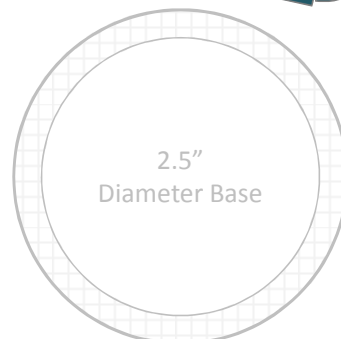
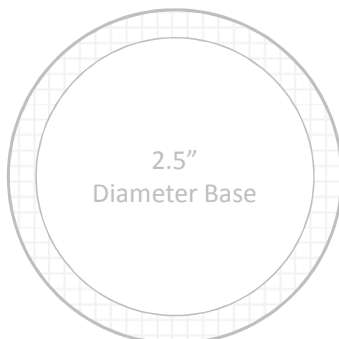
Nick Name	Sample	RGB	Instead of...
True Black		0,0,0	
Aqua Clean		15,175,207	Blue
Action Orange		255,51,0	Red
Vintage Teal		33,89,104	Green
Vintage Cream		255,255,204	White

10 1/2"

Anniversary 1



Anniversary 2

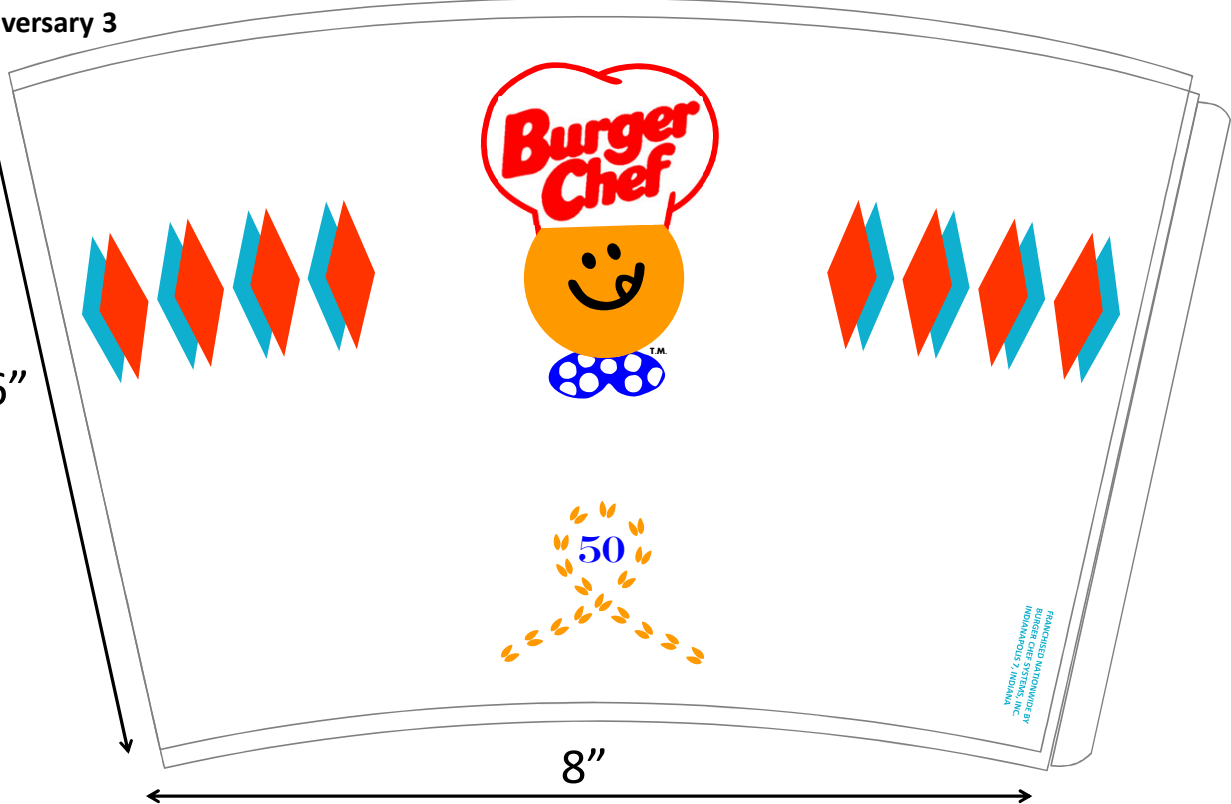


Nick Name	Sample	RGB	Instead of...
True Black		0,0,0	
Aqua Clean		15,175,207	Blue
Action Orange		255,51,0	Red
Vintage Teal		33,89,104	Green
Vintage Cream		255,255,204	White

10 1/2"

Anniversary 3

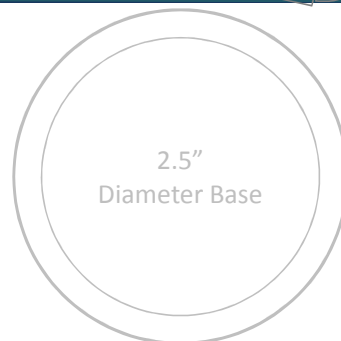
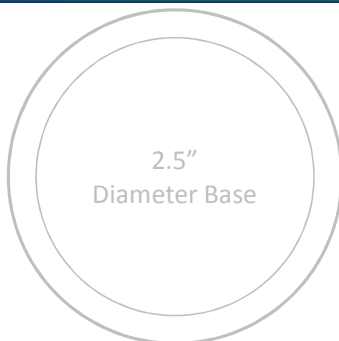
6"



8"

Jeff F100 Midnight 1

6"



Nick Name	Sample	RGB	Instead of...
True Black		0,0,0	
Aqua Clean		15,175,207	Blue
Action Orange		255,51,0	Red
Vintage Teal		33,89,104	Green
Vintage Cream		255,255,204	White