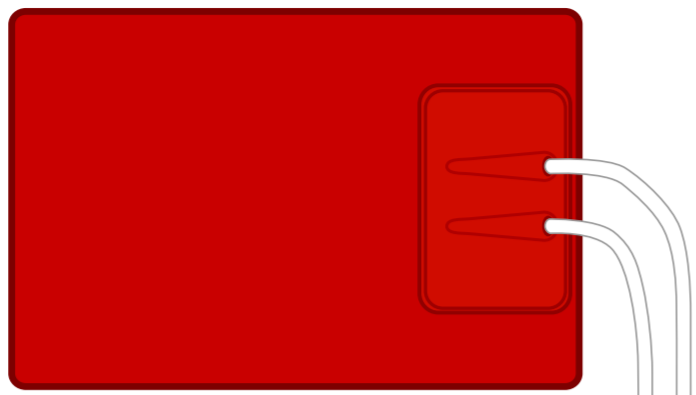
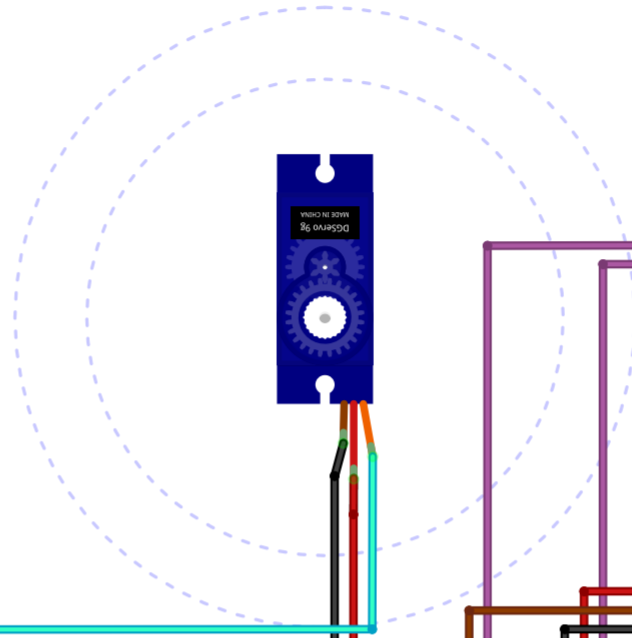


Heating pad



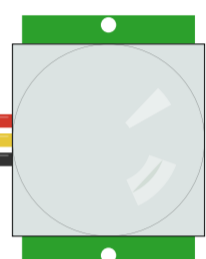
Servo motor RS001B



Dc motor



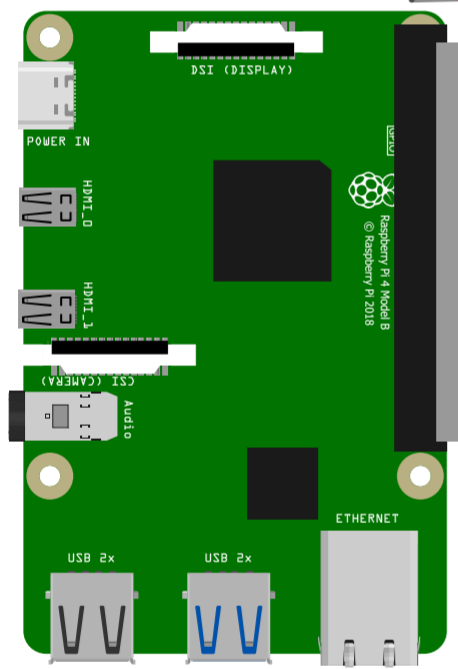
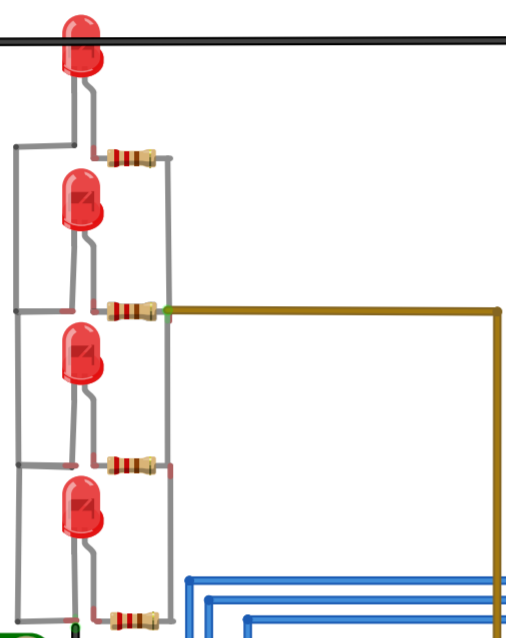
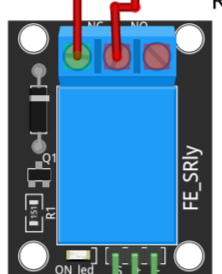
Bewegings sensor



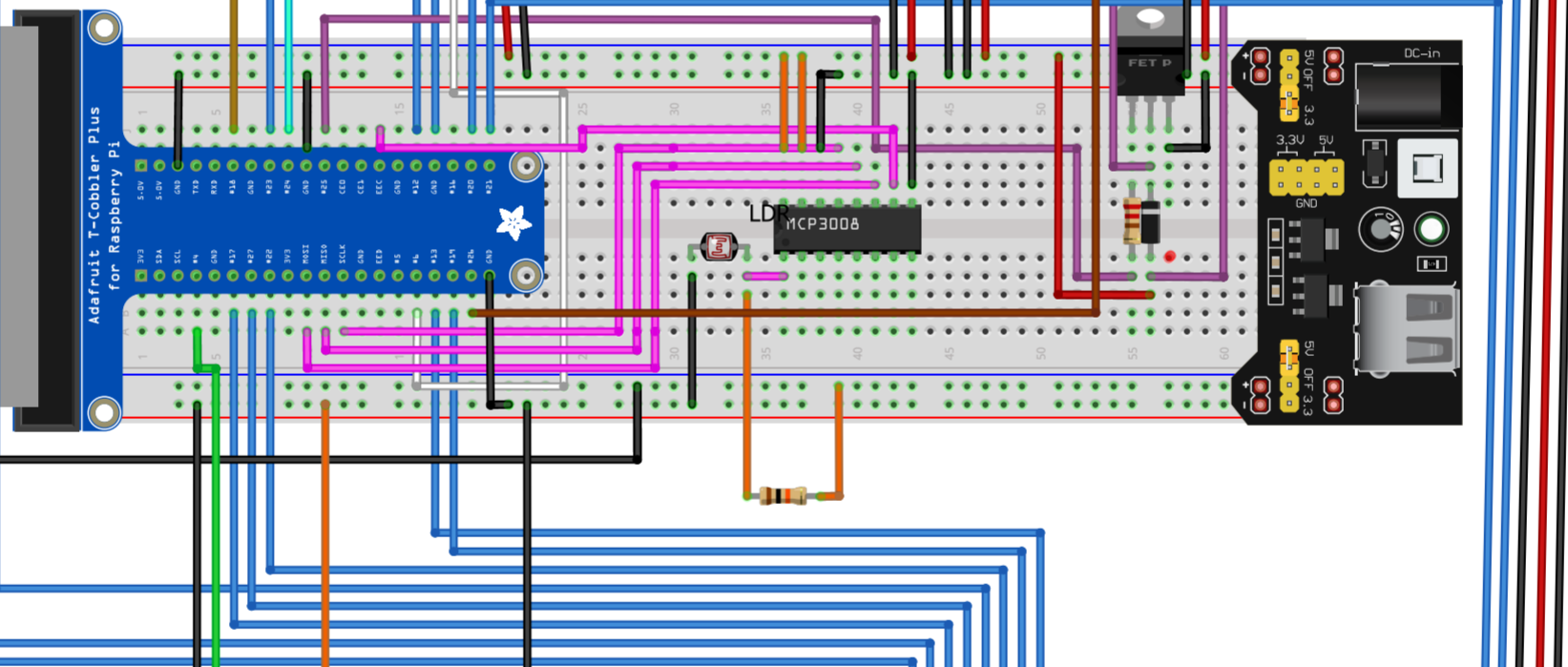
230V



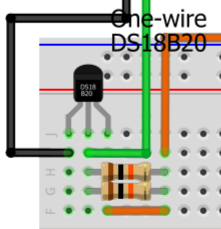
Relais



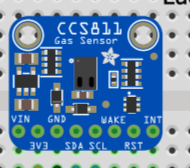
Adafruit T-Cobbler Plus for Raspberry Pi



One-wire DS18B20



Lucht kwal sensor



LCD display

