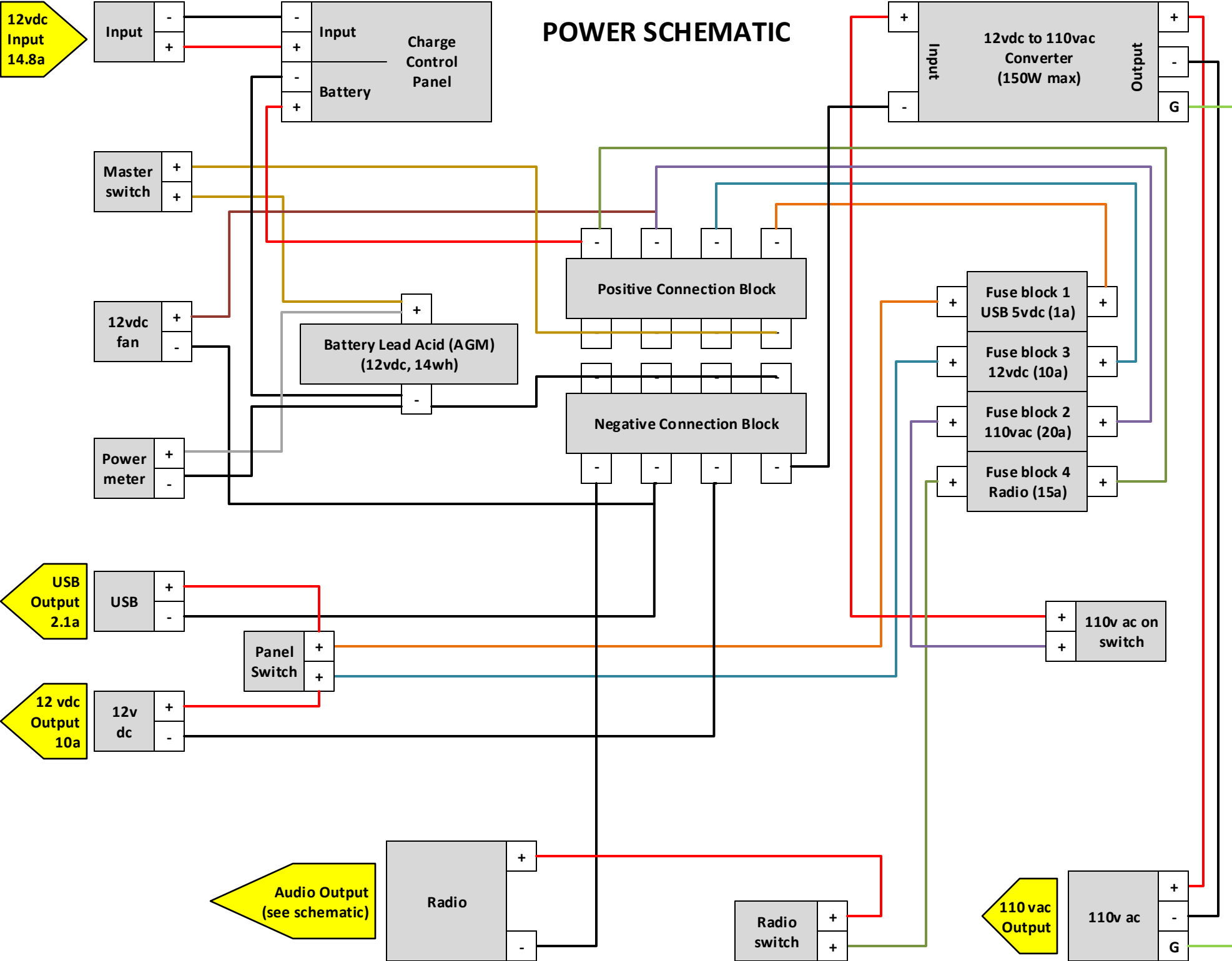


POWER SCHEMATIC



Right Rear
Aux Port

Left Rear
Aux Port

AUDIO SCHEMATIC

