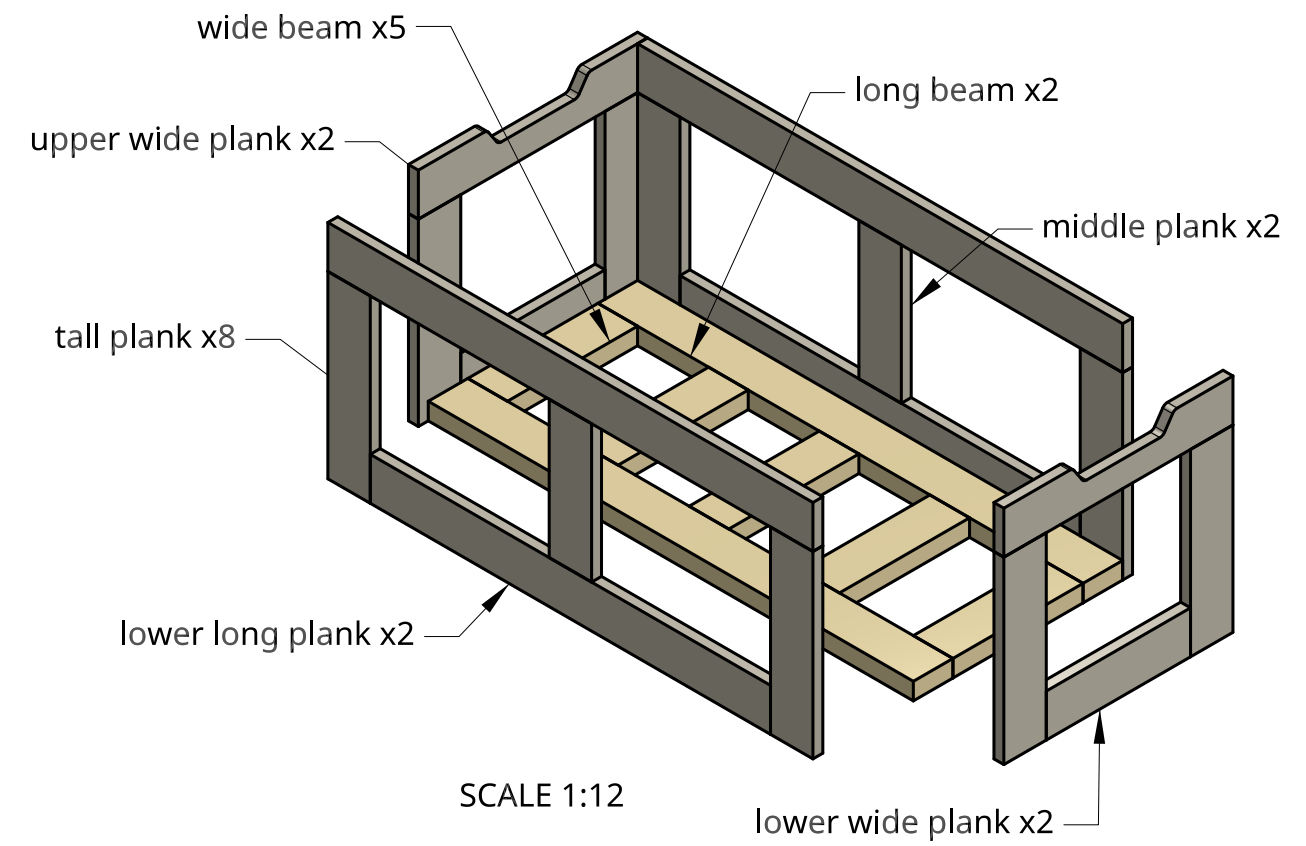
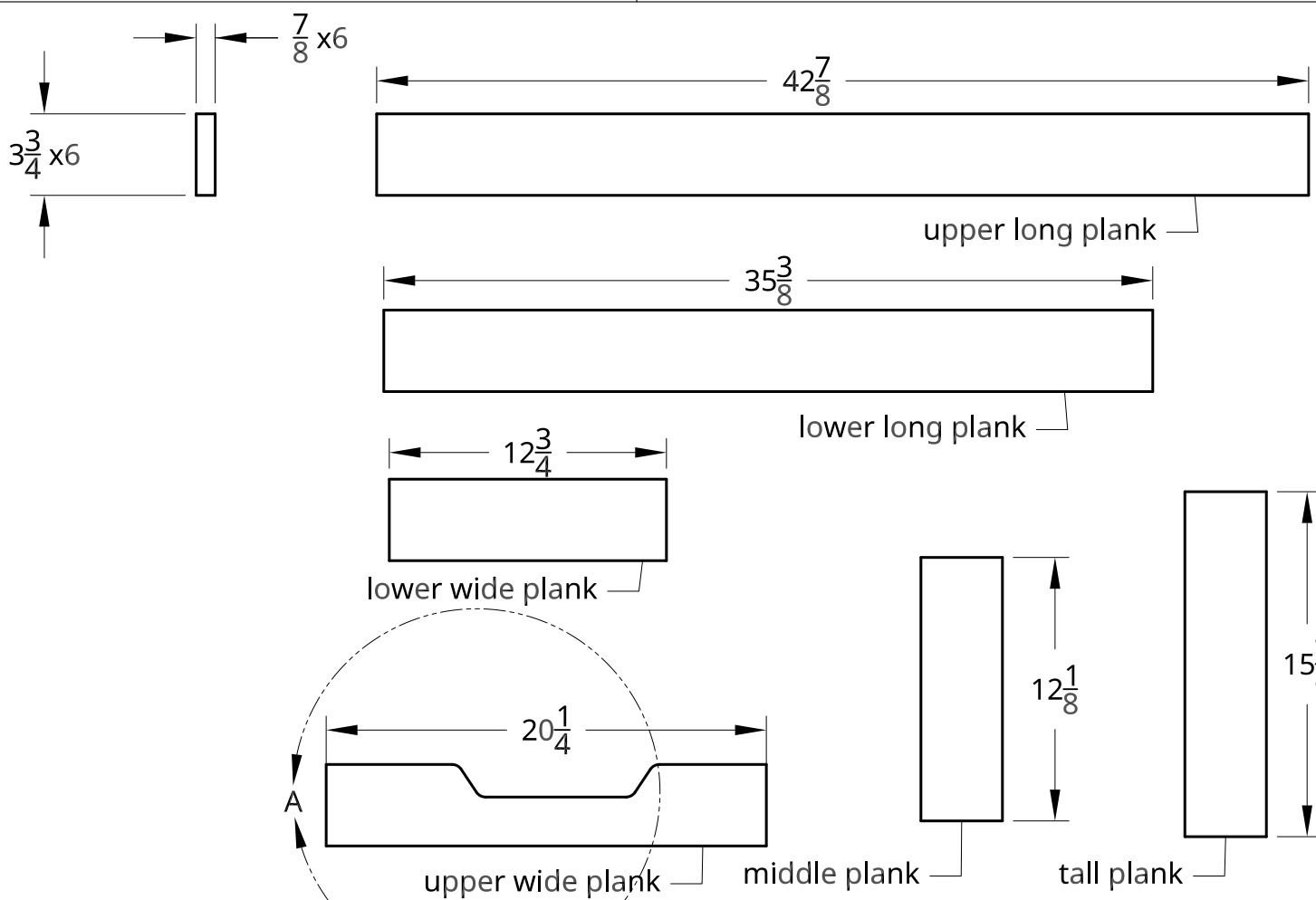


4

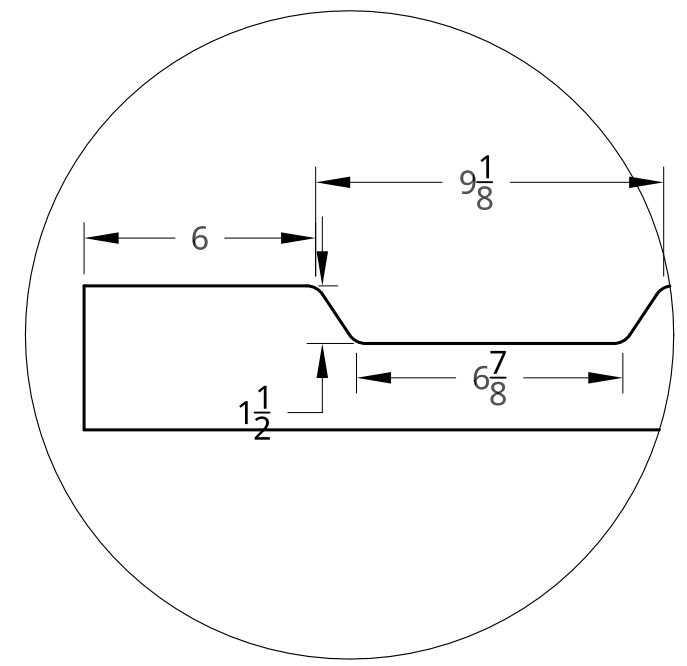
3

2

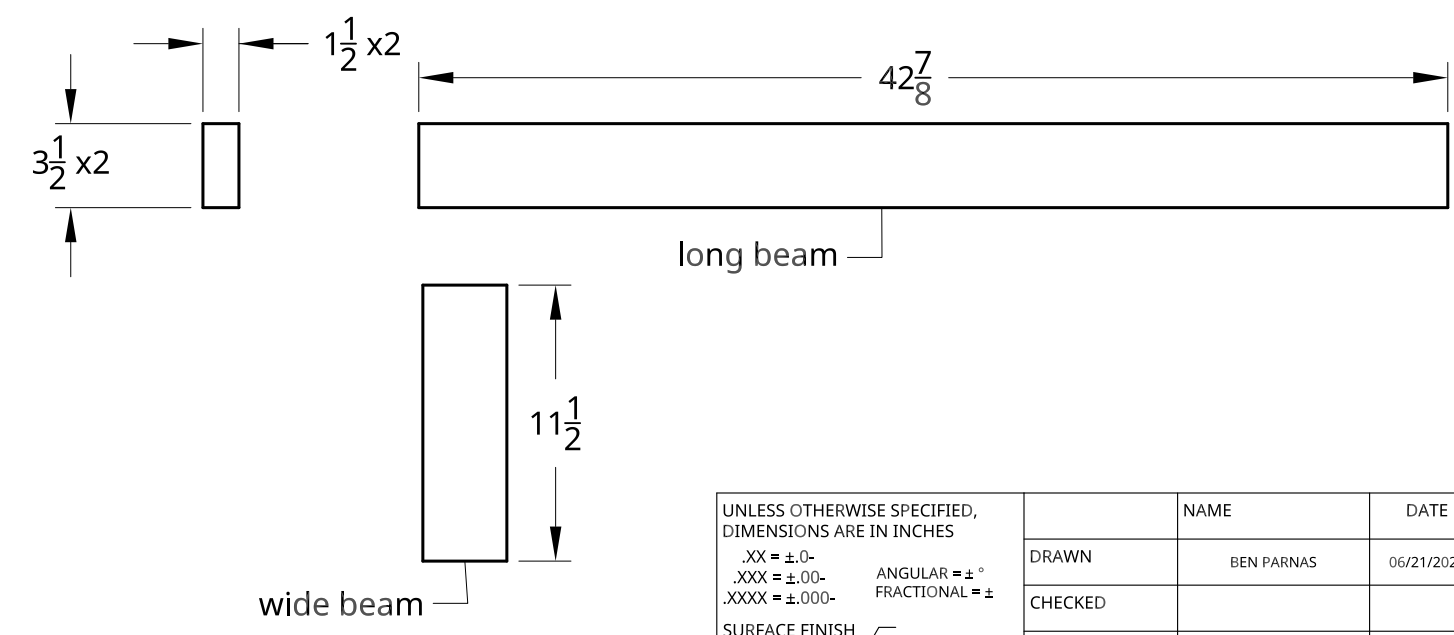
1



Item No.	Name	Quantity
1	long beam	2
2	lower long plank	2
3	lower wide plank	2
4	tall plank	8
5	upper long plank	2
6	upper wide plank	2
7	wide beam	5
8	middle plank	2



DETAIL A
SCALE 1:5



UNLESS OTHERWISE SPECIFIED, DIMENSIONS ARE IN INCHES		NAME	DATE
.XX = ±.0-	ANGULAR = ± °	DRAWN	BEN PARNAS
.XXX = ±.00-	FRACTIONAL = ±	CHECKED	
.XXXX = ±.000-			
SURFACE FINISH ✓			
DO NOT SCALE DRAWING			
BREAK ALL SHARP EDGES AND REMOVE BURRS			
THIRD ANGLE PROJECTION		MATERIAL	FINISH

TITLE		BIN PLANTER ASSEMBLY	
		Cut Lengths	
SIZE	B	REV	00
SCALE	1:8	WEIGHT	
SHEET	1 of 4		

4

3

2

1

D

D

C

C

B

B

A

A

4

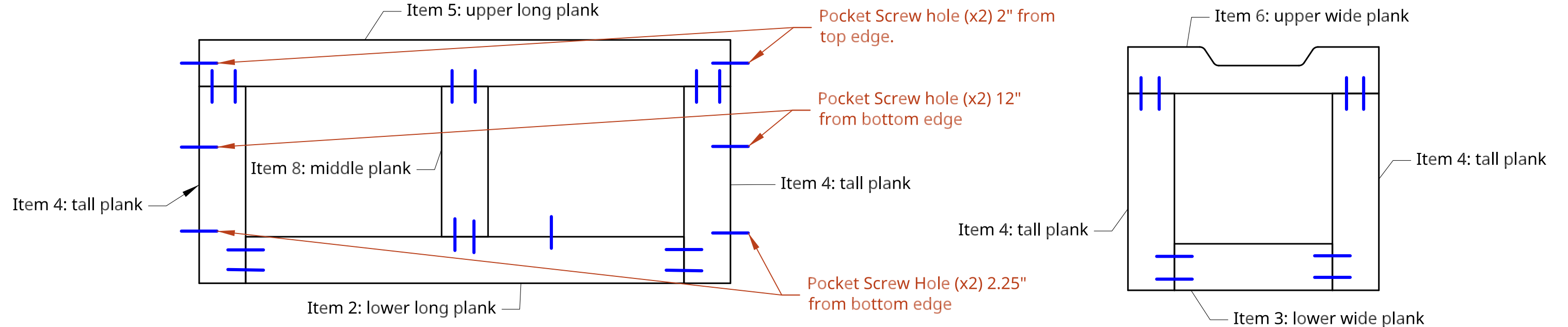
3

2

1

D

D

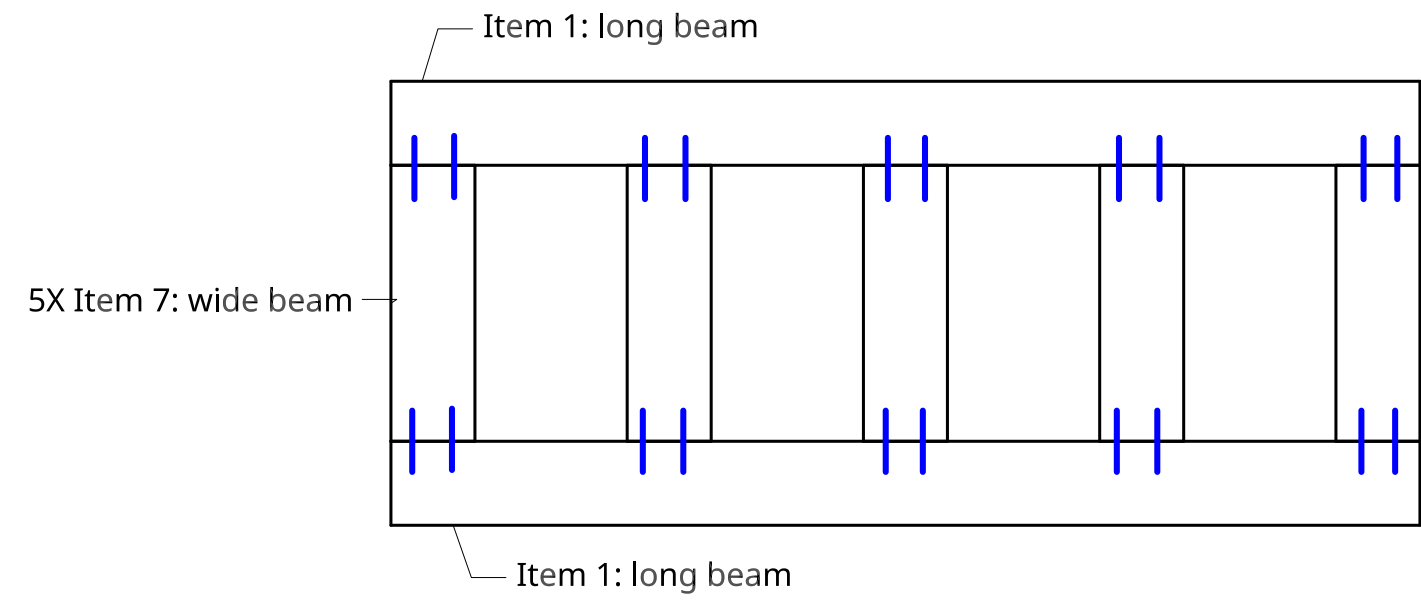


LONG PANEL: Use 1.25" Pocket Screws

SHORT PANEL: Use 1.25" Pocket Screws

B

B



BASE: Use 2.5" Pocket Screws

Note: Unless specified otherwise, all pocket holes should be drilled 9/16" from the nearest parallel edge (the first hole on the Kreg R3 jig)

A

A

4

3

2

1

4

3

2

1

D

D

C

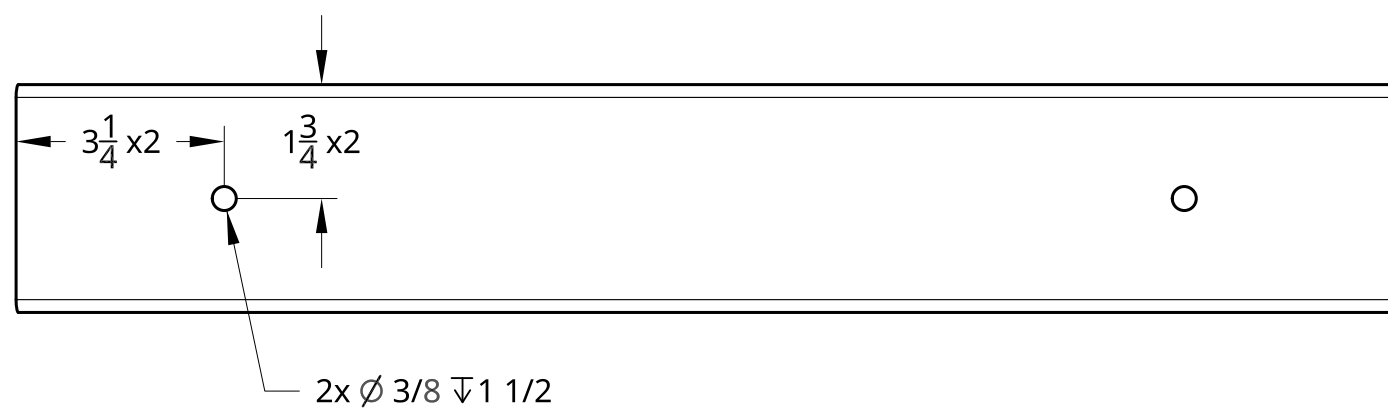
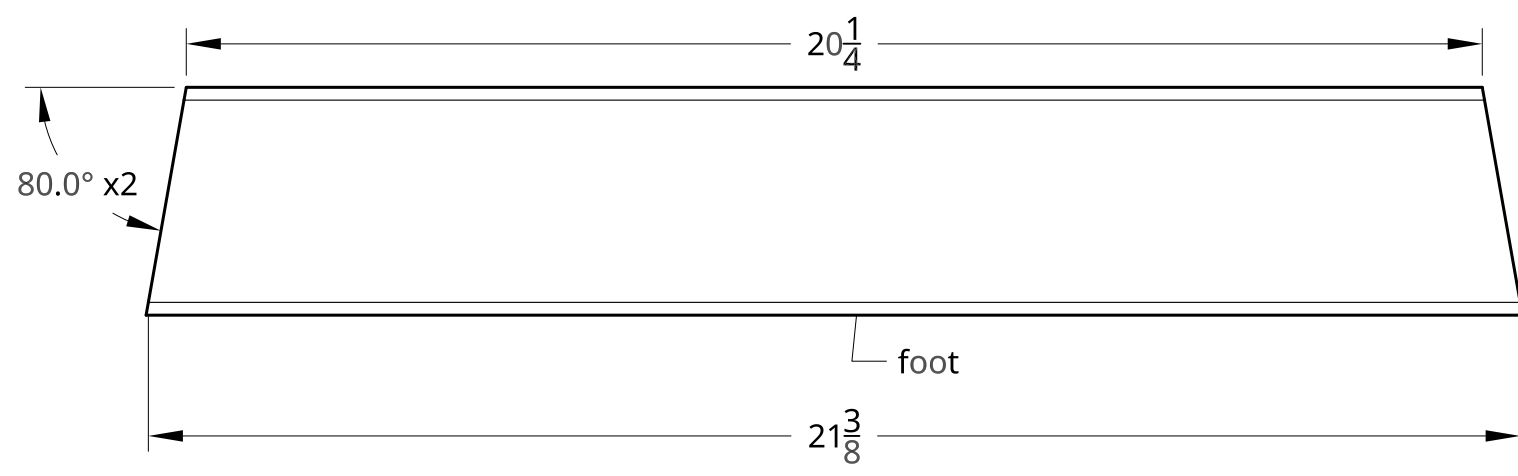
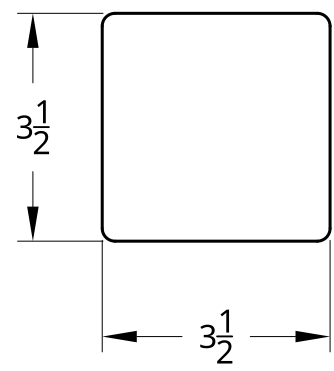
C

B

B

A

A



4

3

2

1

4

3

2

1

D

D

C

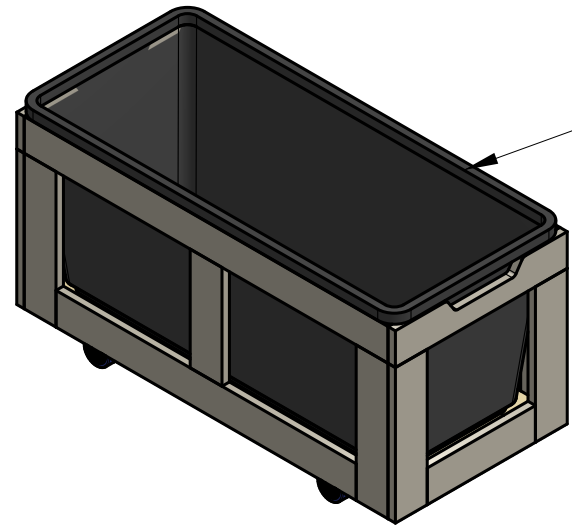
C

B

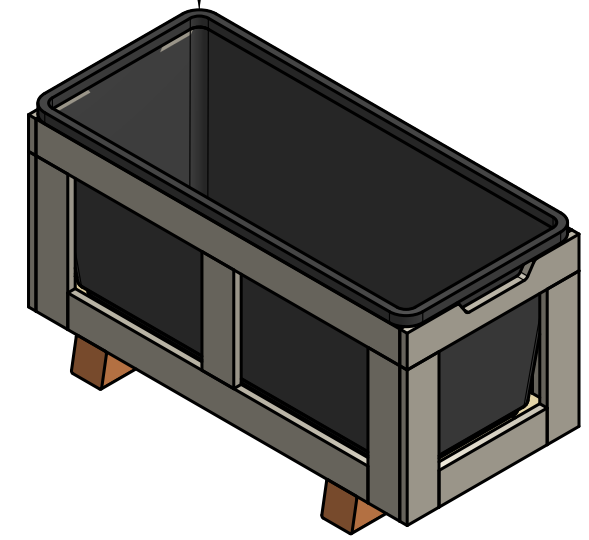
B

A

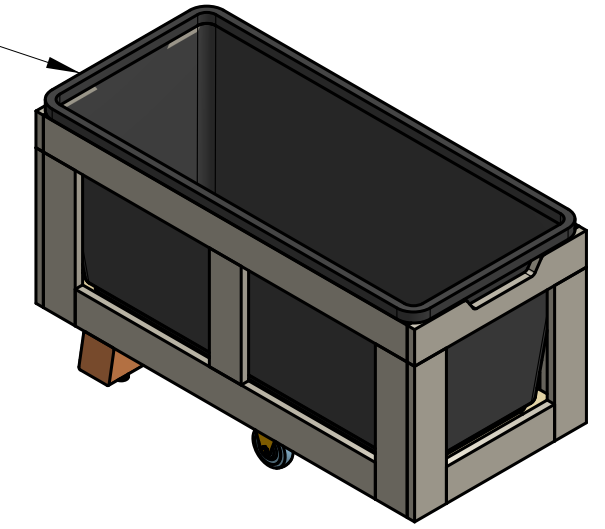
A



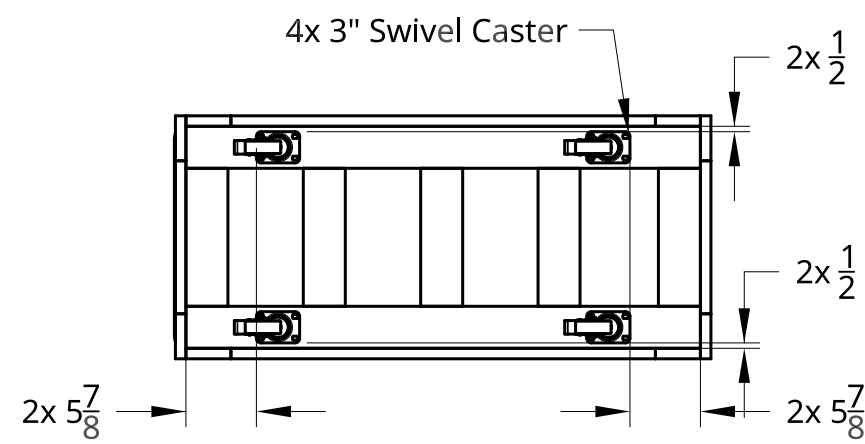
Swivel Wheel Configuration



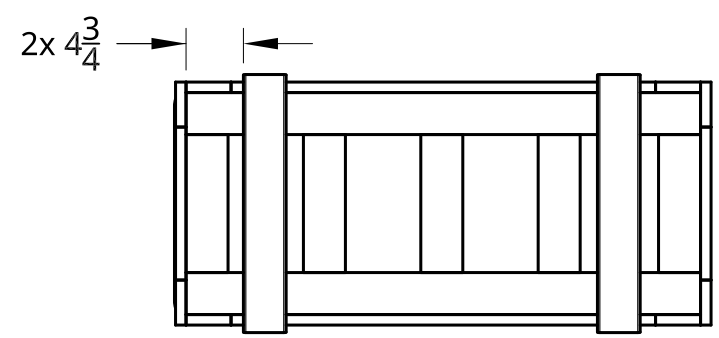
Solid Feet Configuration



Center Wheel Configuration



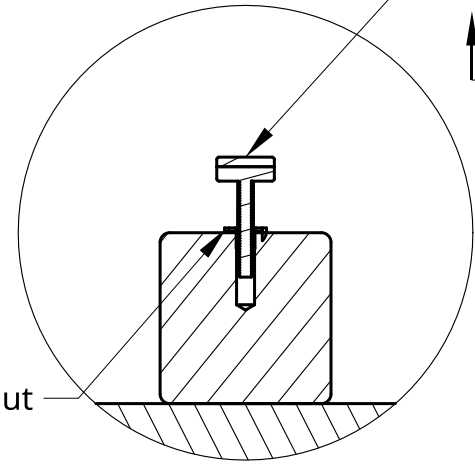
Attach casters with 1/4"x1" lag bolts, or #10x1" wood screws



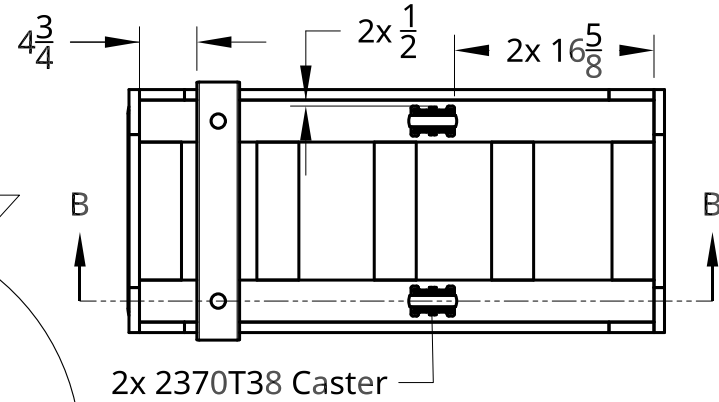
Attach feet from above with 3" wood screws

2x 62805K33 Levelling foot

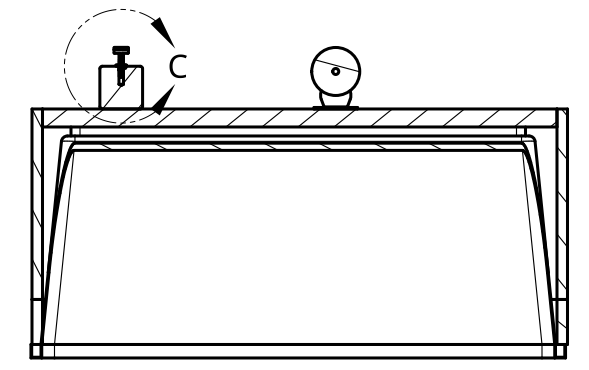
2x 90973A115 T-Nut



DETAIL C SCALE 1:4



2x 2370T38 Caster



SECTION B - B

4

3

2

1