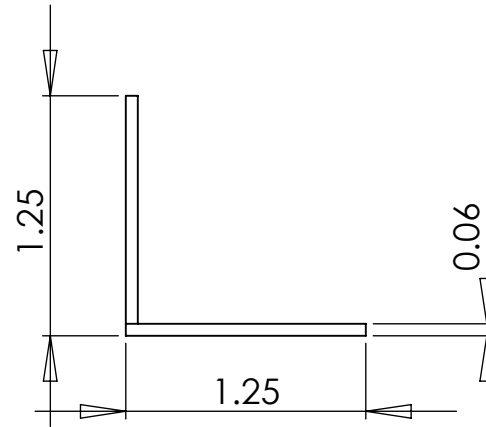
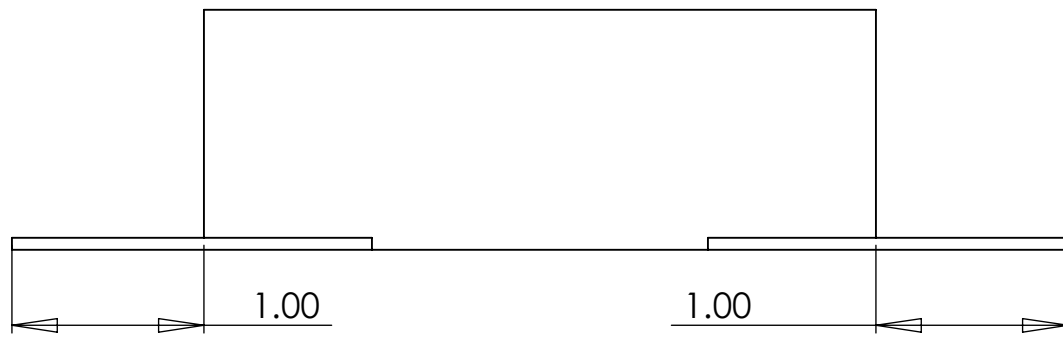
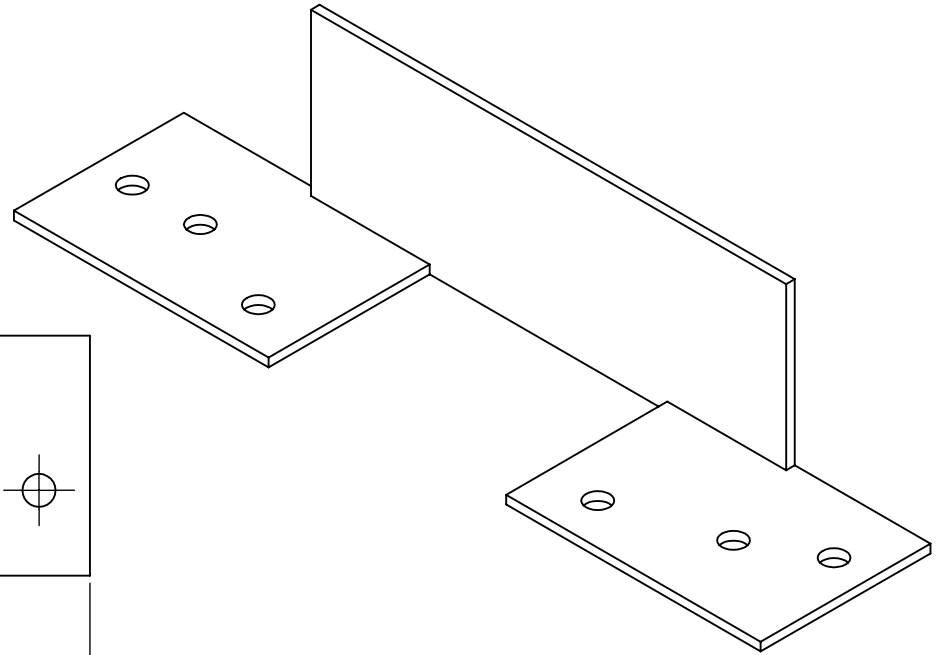
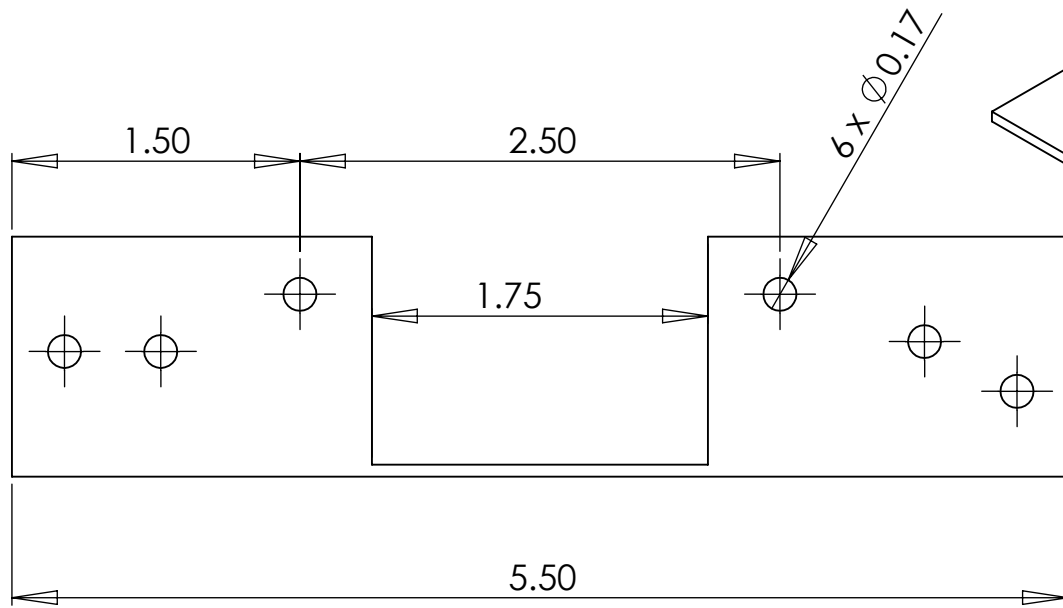


BikeGen	
MATERIAL	3/4" Aluminum Angle
QTY	1
DWG. NO.	BG-1
TOLERANCES: FRACTIONAL $\pm 1/16$	SCALE 1:1
DWG BY:	DBC
DATE	1-4-09



BikeGen			
MATERIAL	1-1/4" Aluminum Angle		
QTY	1	DWG BY:	DBC
DWG. NO.	BG-2	DATE	1-4-09
TOLERANCES: FRACTIONAL	$\pm 1/16$	SCALE	1:1