

1

2

3

4

A

A

B

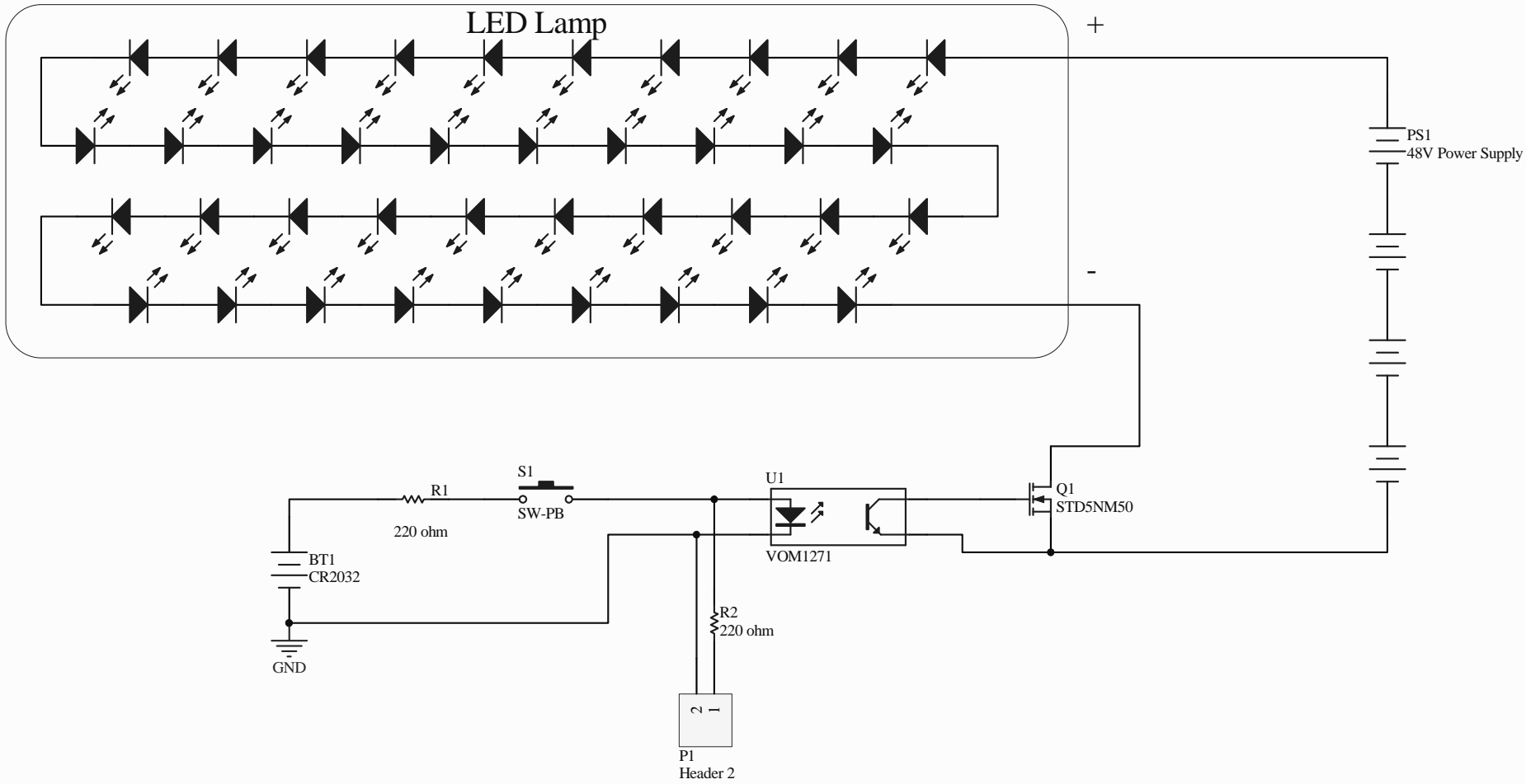
B

C

C

D

D



Title		
Size	Number	Revision
A		
Date:	10/29/2015	Sheet of
File:	E:\Users\...\LED Driver.SchDoc	Drawn By:

1

2

3

4