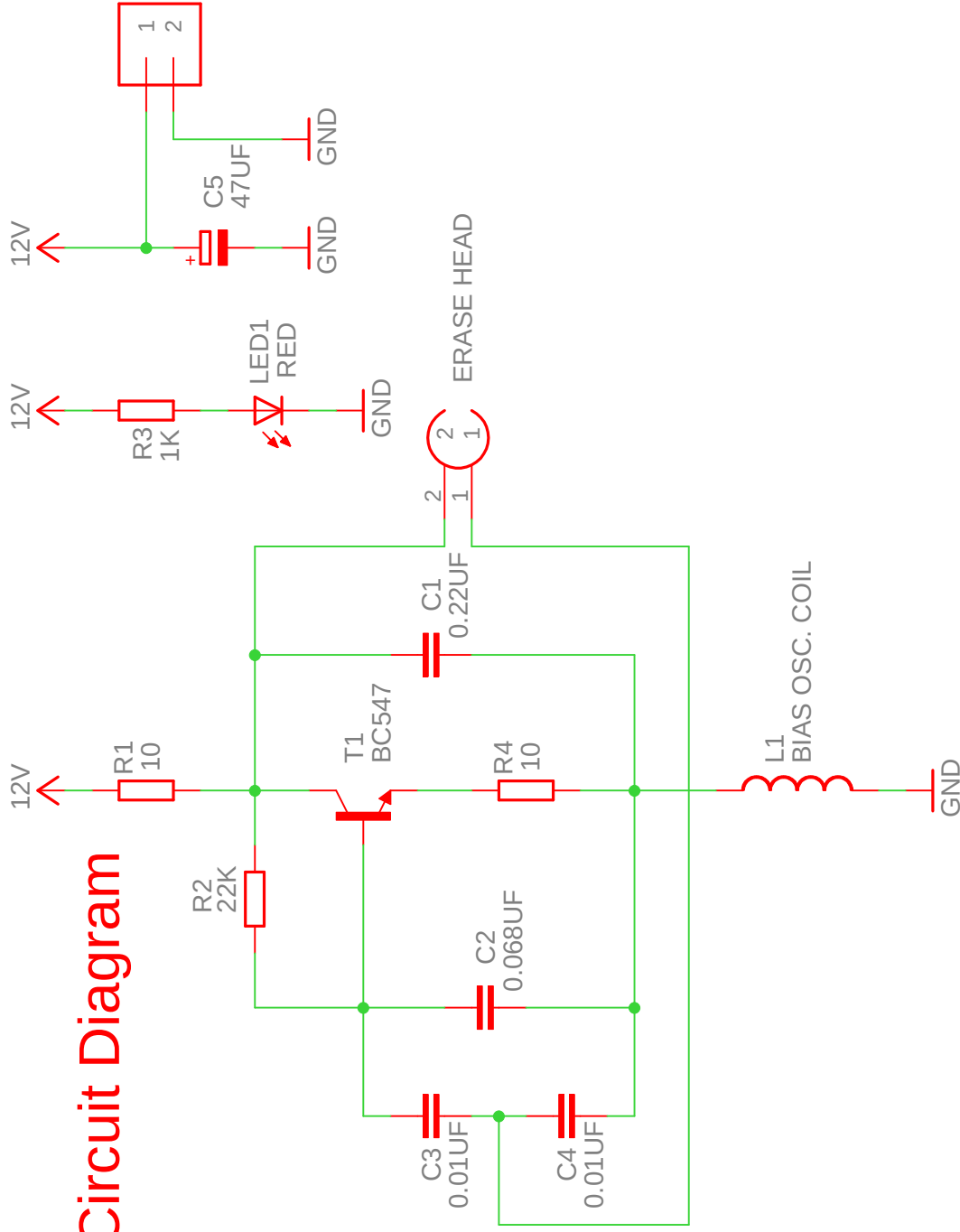


Bias Oscillator Circuit Diagram



**AUTODESK
EAGLE**

Ramji Patel376

Bias Oscillator-2

9/14/2021 6:47 PM

Sheet: 1/1