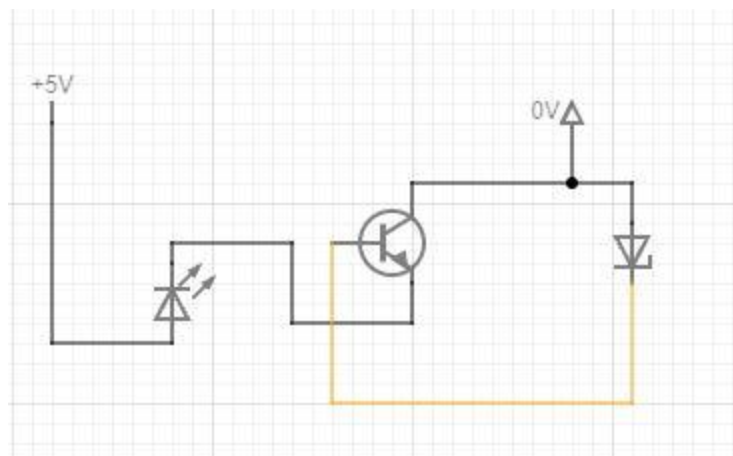


# BC557A HEAT SENSOR

## CIRCUIT DIAGRAM



## COMPONENTS REQUIRED

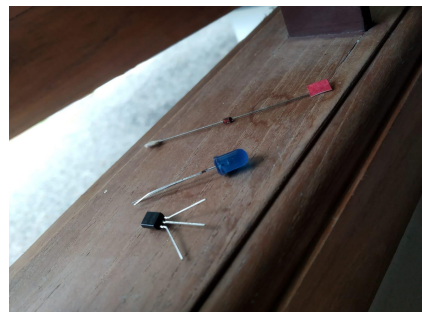
1. 1N4148 ZENER DIODE
2. 5MM LED

## LETS SEE HOW IT'S MADE

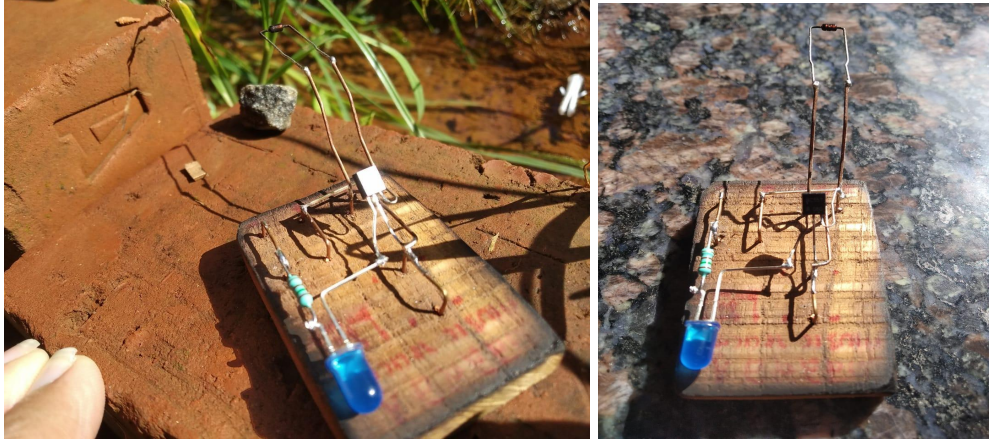
THE BASE



COMPONENTS



## AFTER SOLDERING



## LINKS FOR COMPONENTS

CLICK THE COMPONENTS TO BUY

[BC557](#)

[1N4148](#)

[5MM LED](#)

[PCB](#)

WEBSITE LINK- [CLICK HERE](#)

YOUTUBE LINK - [CLICK HERE](#)

BY

3 MINUTE ELECTRONICS

3-MINUTE ELECTRONIC