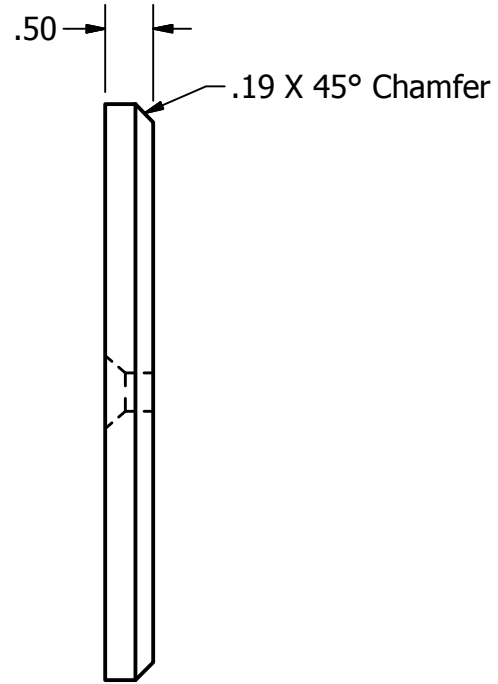
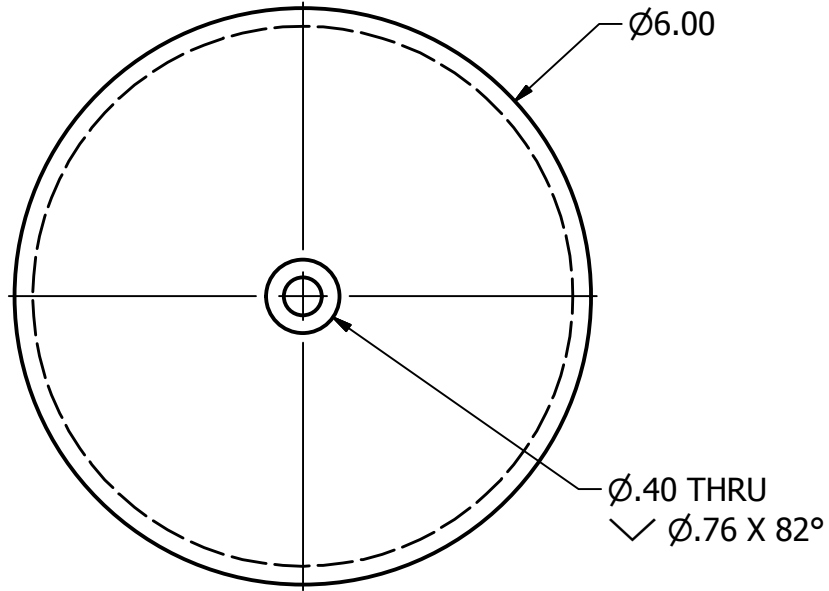


PARTS LIST			
ITEM	QTY	PART NUMBER	DESCRIPTION
1	1	Base Plate	MATERIAL: ALUMINUM



DRAWN Rob	5/13/2017	TITLE		
CHECKED				
QA				
MFG				
APPROVED				
		SIZE A	DWG NO Base Plate-1	REV
		SCALE		SHEET 1 OF 1