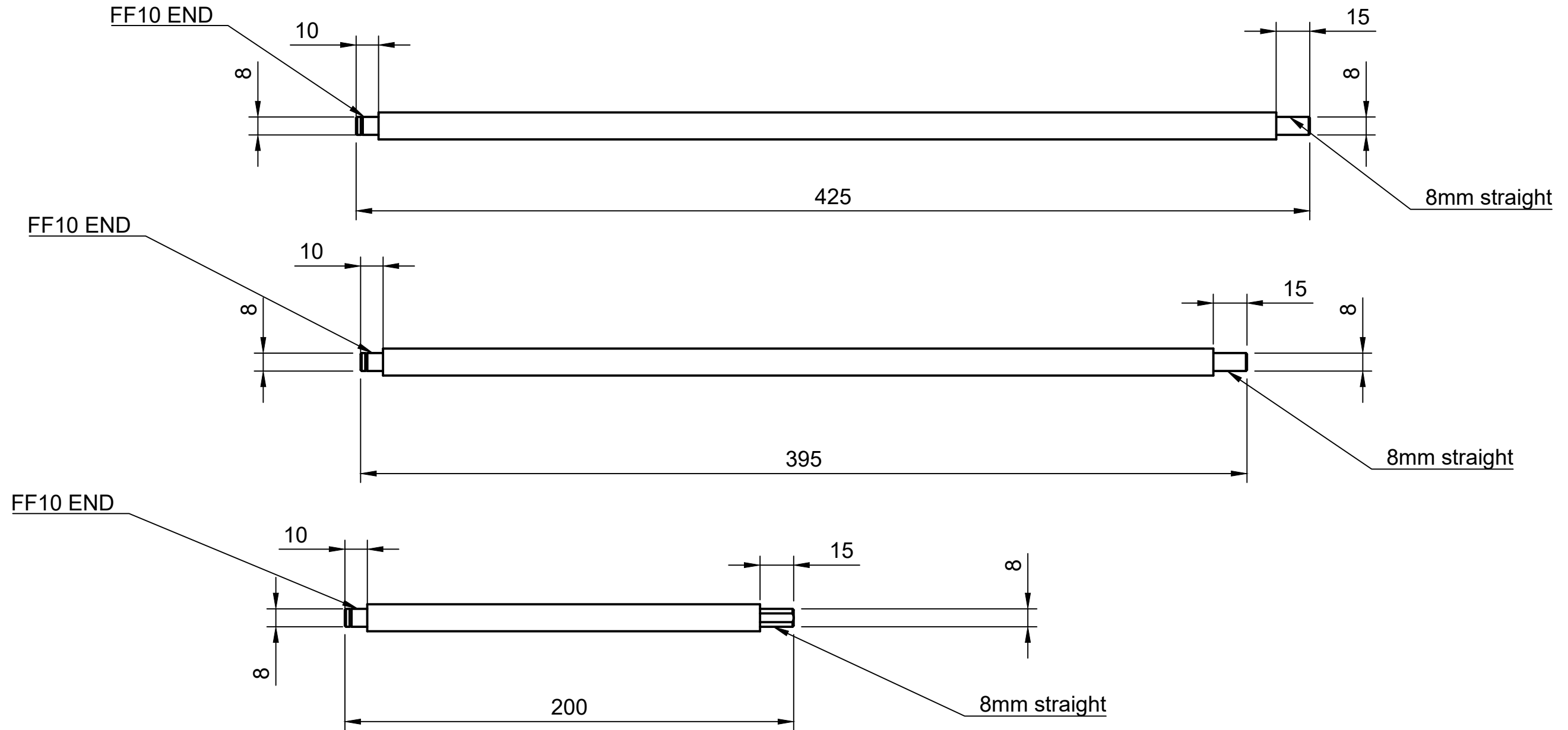


# Custom 1204 Ball-Screws for "LOW COST DIY 500€ CNC"

This is the drawing for the custom 1204 ballscrews. The right side is a 8mm shaft with a length of 15mm. The left side is an end for a FF10 bearing.



All units are mm !!!

Dept.	Technical reference	Created by <b>Vulcaman</b>	27.02.2019	Approved by
		Document type	Document status	
		Title <b>1204 Ballscrew manufacturing</b>	DWG No.	
Rev.	Date of issue	Sheet		
<b>2</b>		<b>1/1</b>		