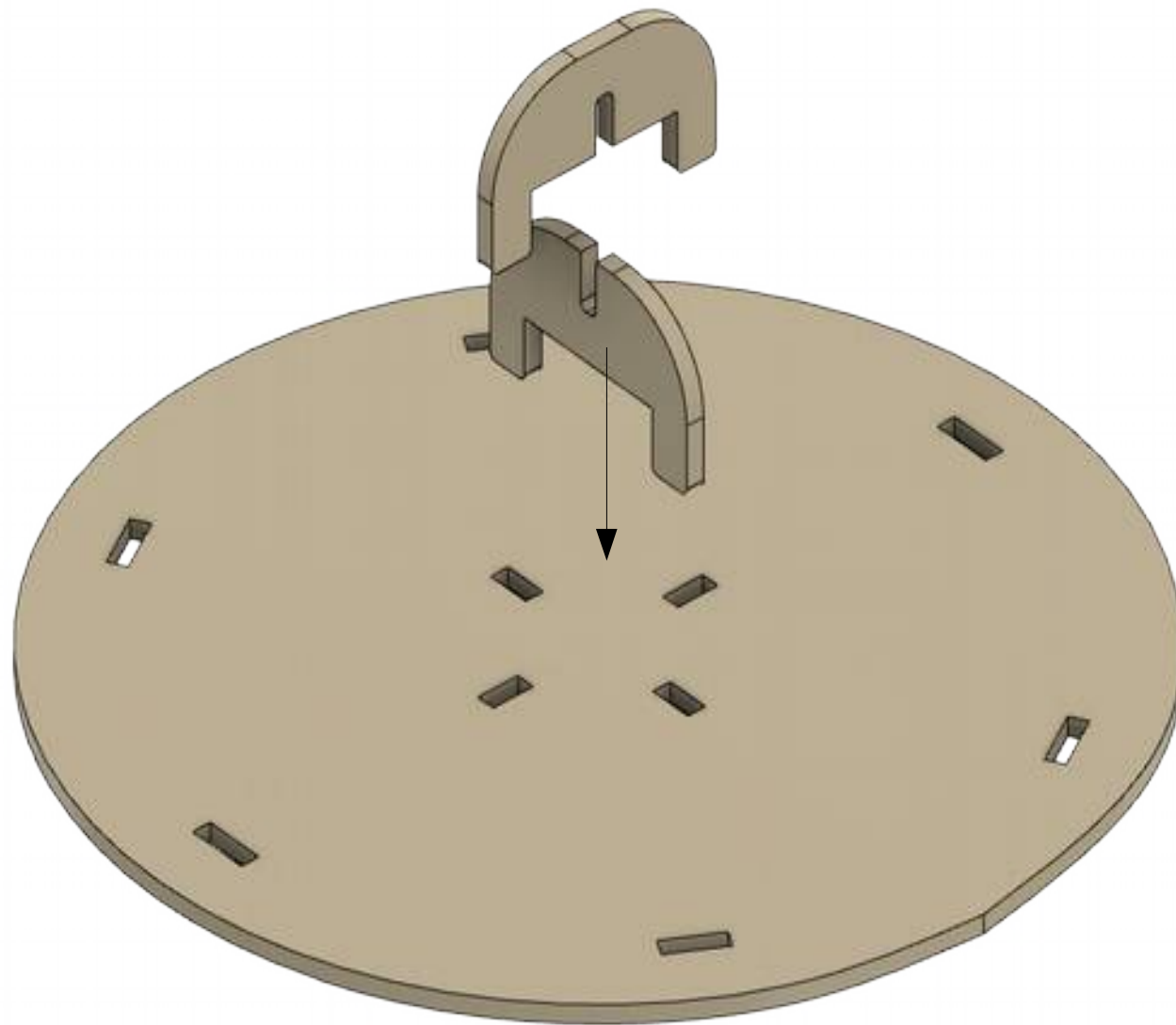
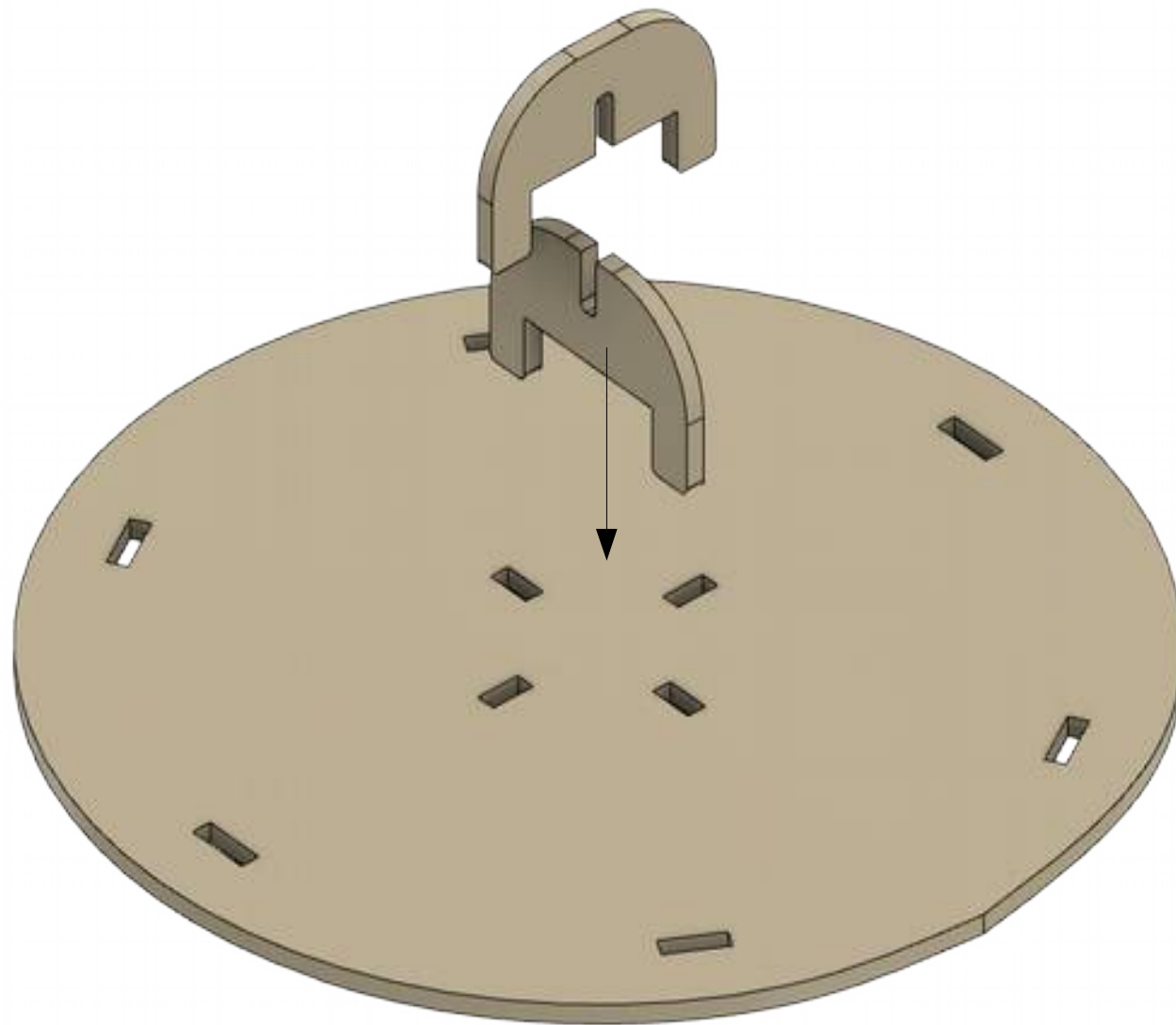
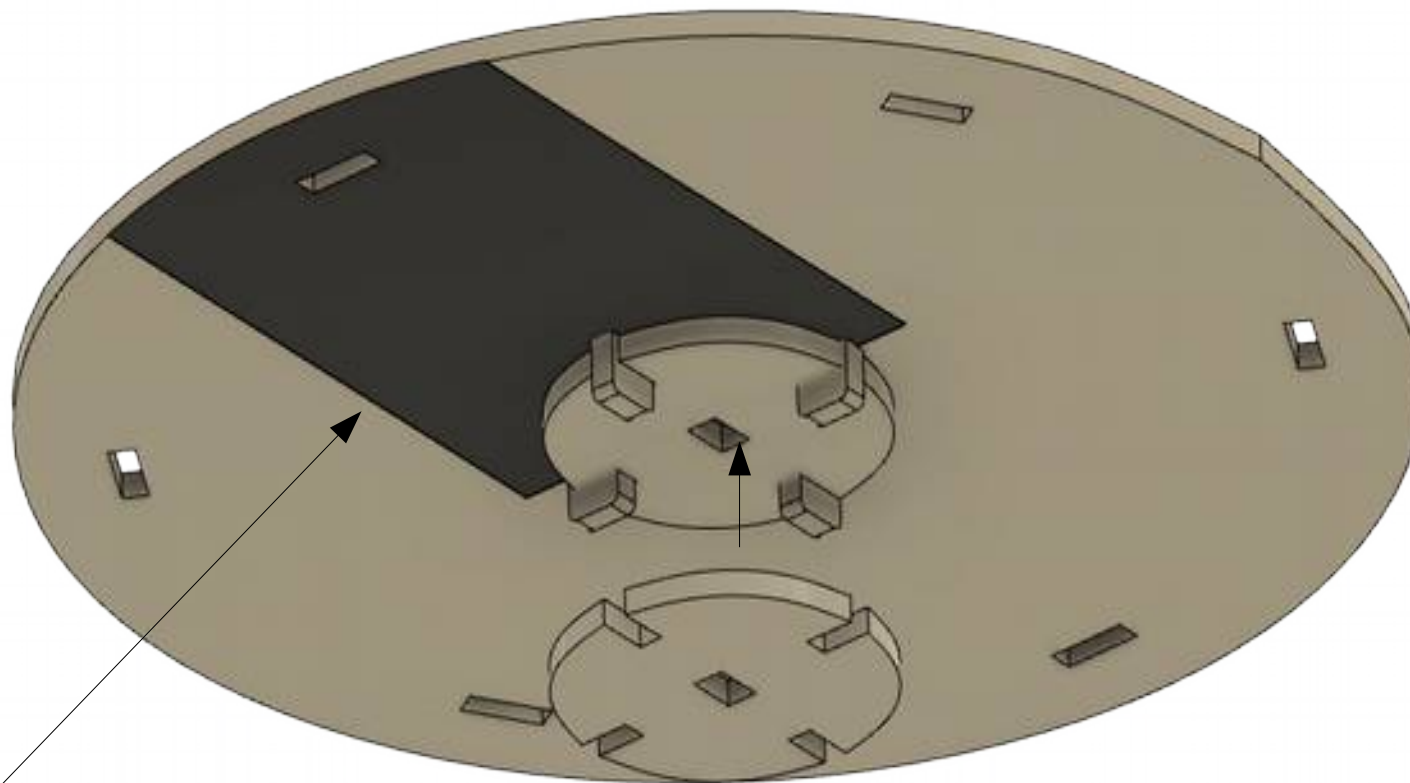


BOXOI2-Lite

- This is for people who want to skip the circuit board part of BOXOI2.
- A smartphone with a strobe light app is used instead of the LEDs on BOXOI2 controlled by the circuit board.
- Cheaper smartphones may not be able to control its LED to be on for only 1ms per cycle. The result is a blurred animation.

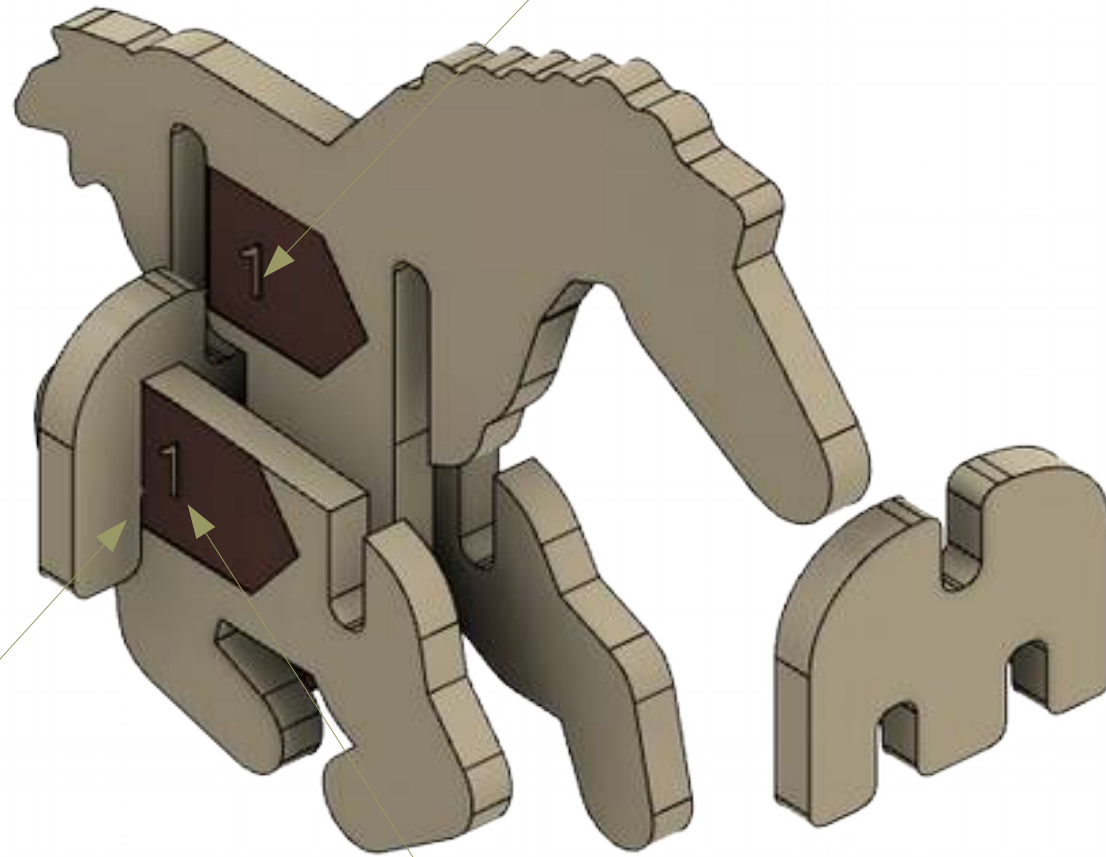






This dark stripe is not needed for the Lite version.

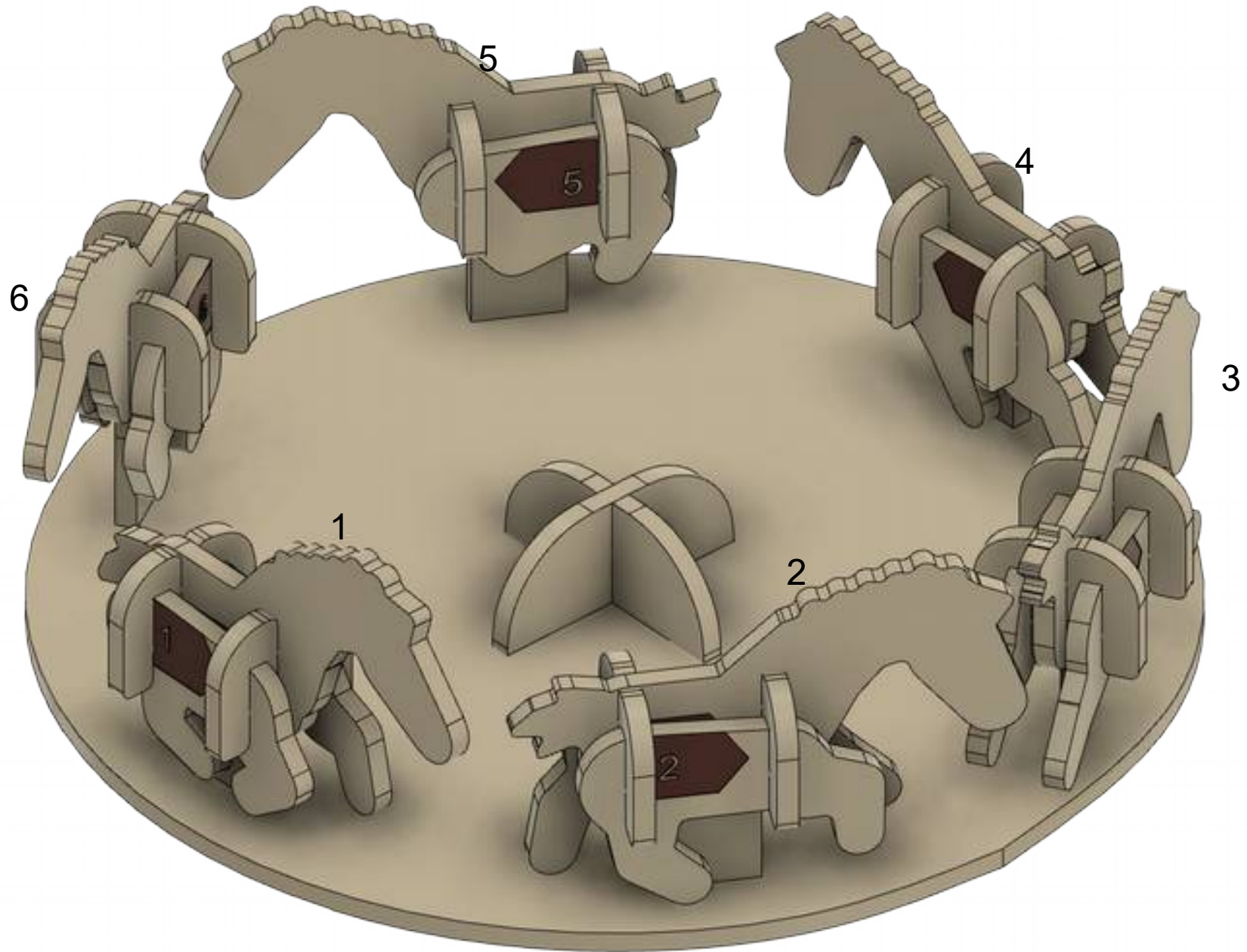
Find 3 parts with the same number

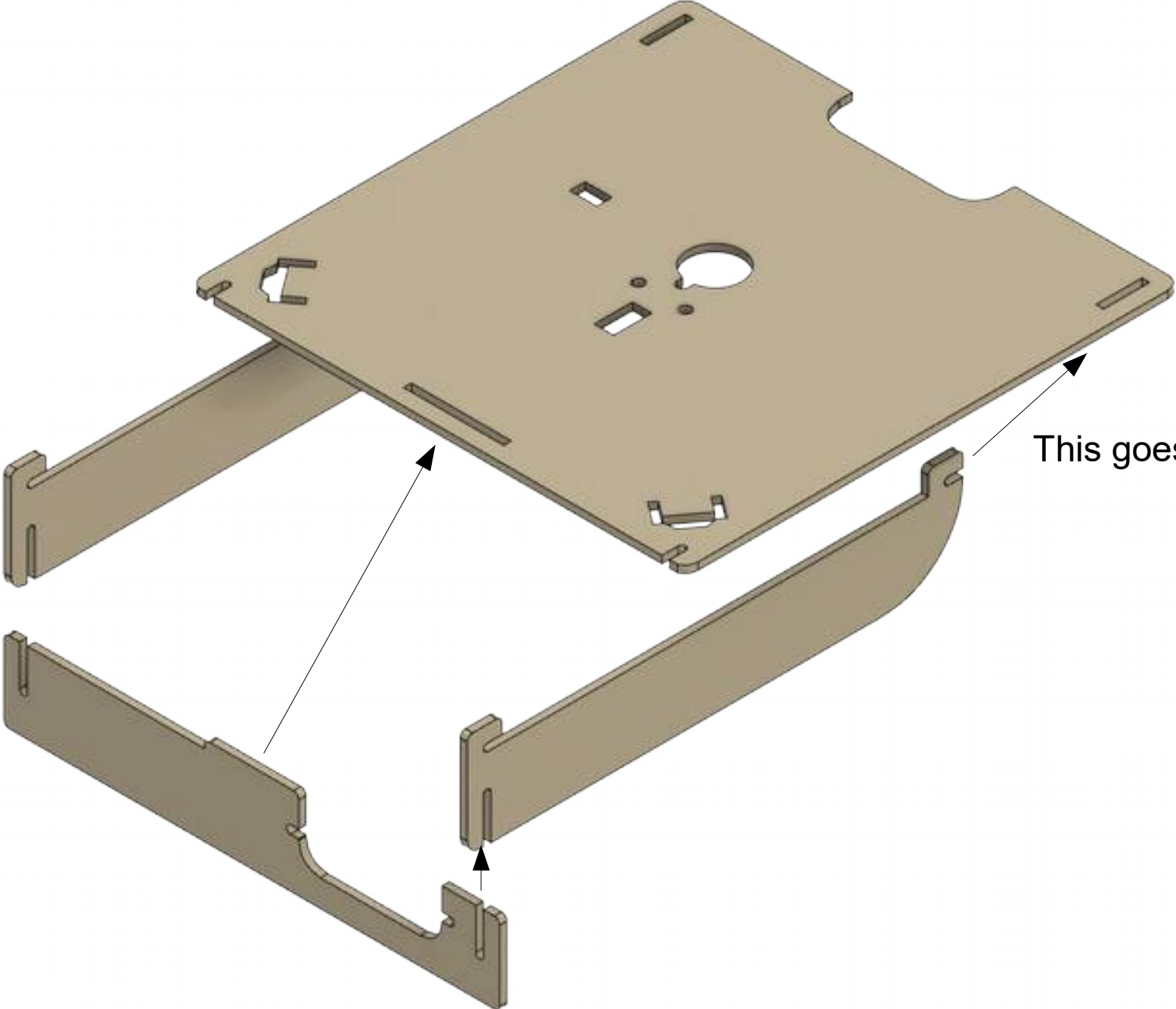


Markings on leg parts
are on the outside

Numbers are closer to the tail

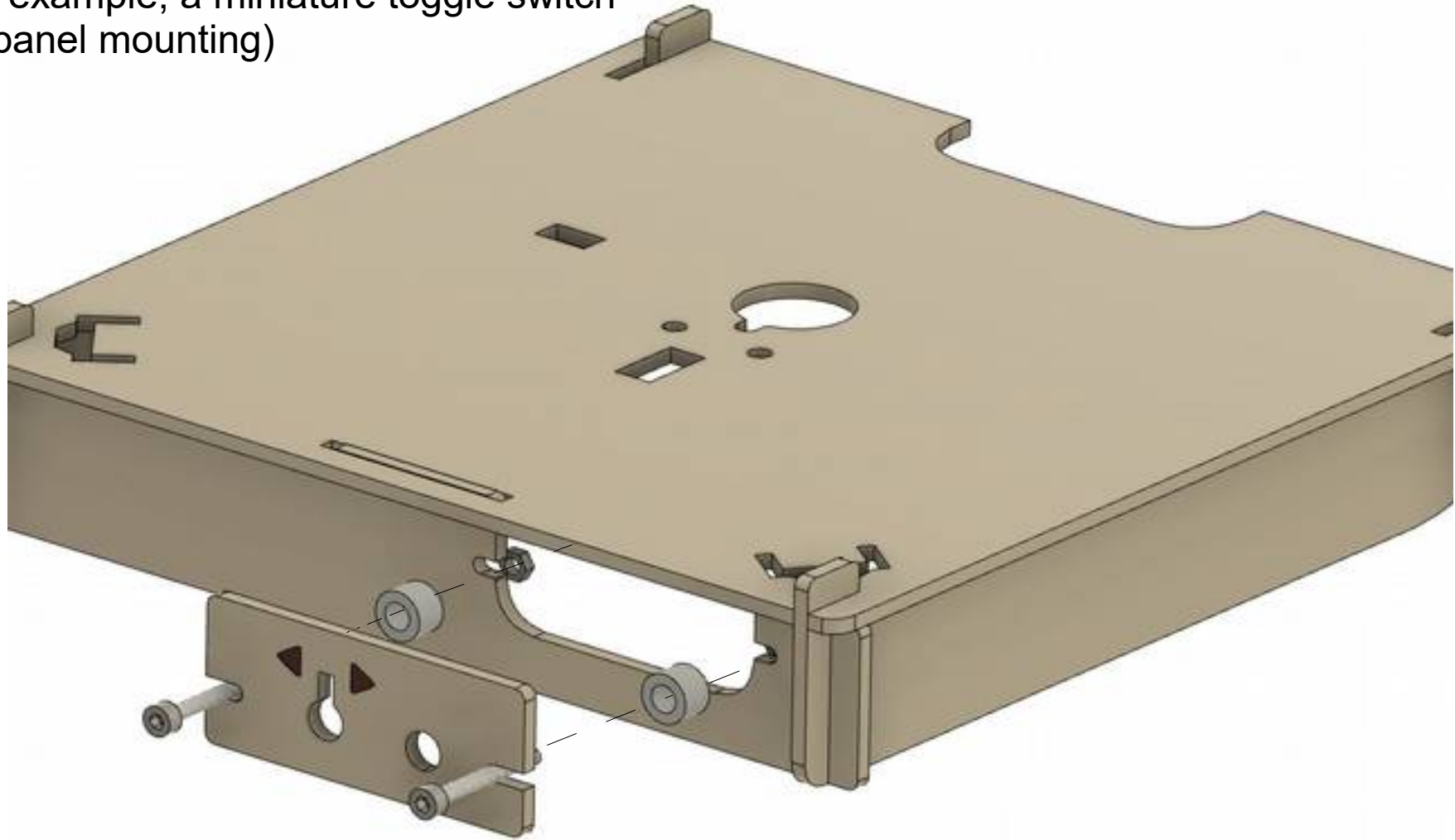
Arranged all ponies so that their numbers are in a counter-clockwise order.





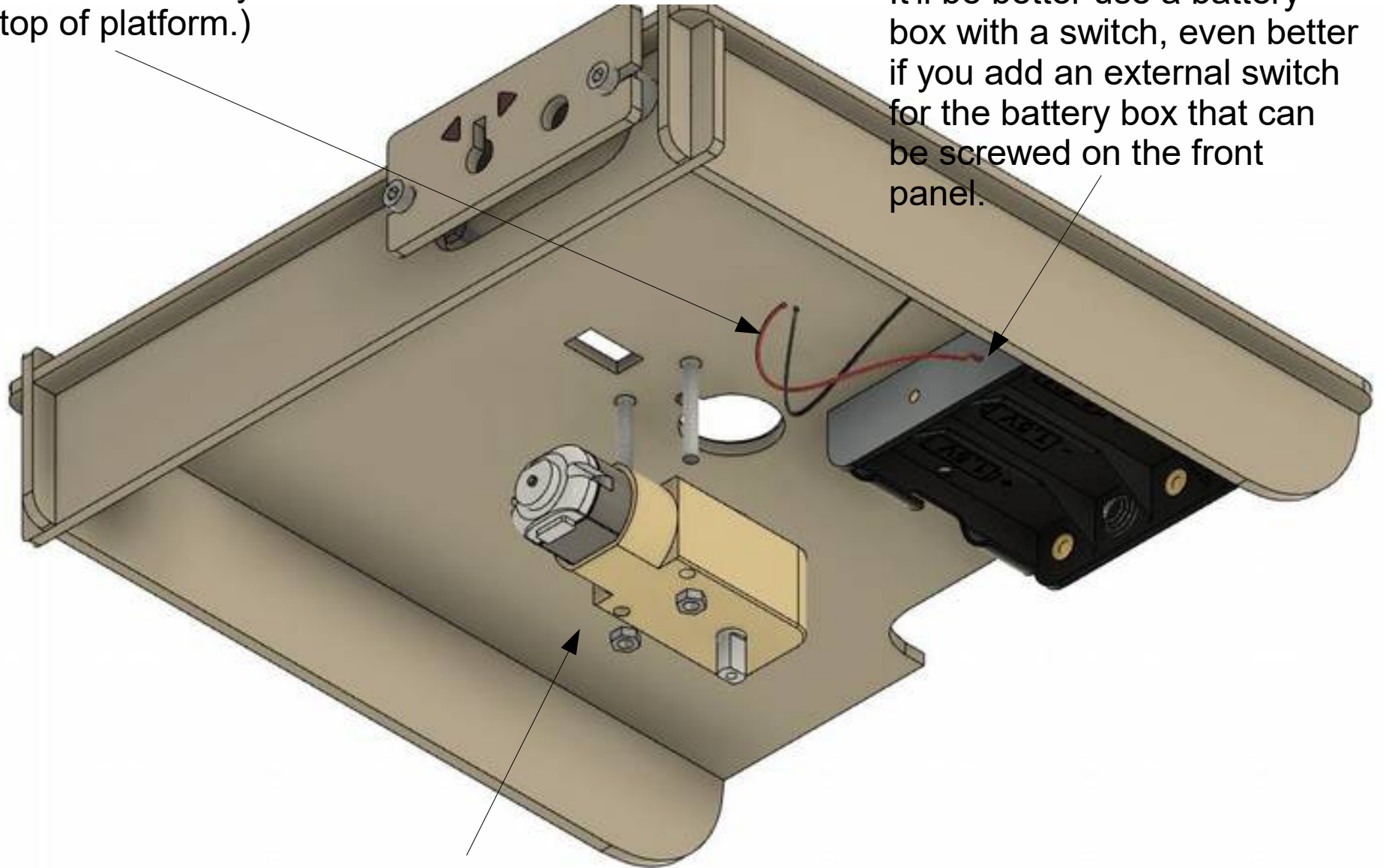
This goes first

You can skip this step (The control panel)
unless you want to add a power switch here
that connects battery box to the TT motor.
* For example, a miniature toggle switch
(M7 panel mounting)



3. Connect the wires to the motor.
(Be sure to test polarities first. The motor should turn clockwise if you observe from the top of platform.)

2. Use some sponge tape to hold the battery box in place. It'll be better use a battery box with a switch, even better if you add an external switch for the battery box that can be screwed on the front panel.



1. Secure the TT motor with 2 sets of M3 nuts and bolts

Use a piece of Scotch tape here, cut a hole in the middle for the motor shaft. This is used to reduce friction.



Attach the disk on top of the platform, switch the power on, start a strope light app on your smartphone, set strobe frequency to 20Hz-ish, and set the duty cycle so that the LED will be on for 1ms per cycle, then dim ambient light.

