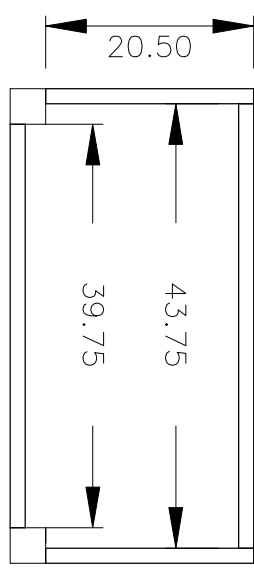
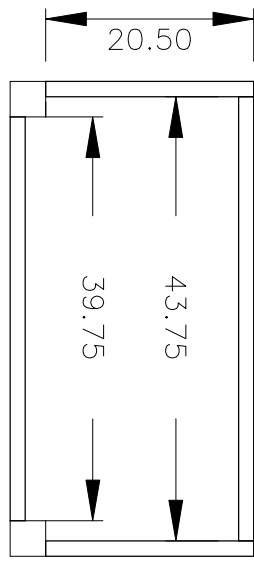


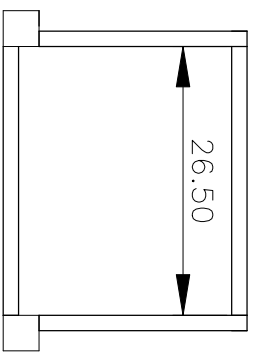
SECTION "D"



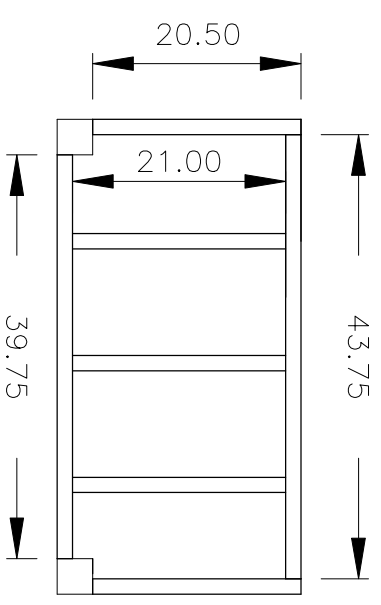
SECTION "A"



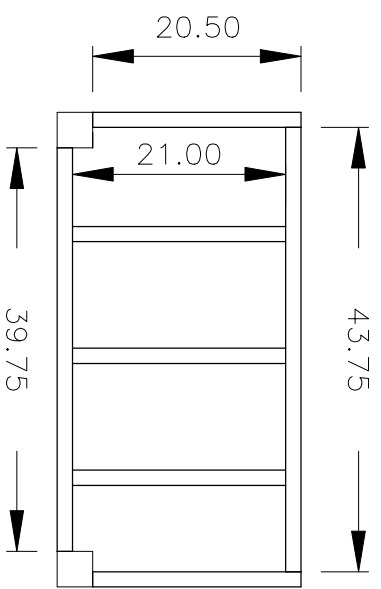
SECTION "A"



SECTION "C"



SECTION "B"



SECTION "B"

MAT. SCHEDULE	
QTY.	MATERIAL
32	2x4x96 WHITEWOOD STUD
2	4x4x96 TREATED LUMBER
1	48x96x15/32 PLYWOOD
1	1 LB. #8 1.25" DK SCREW
2	16 OZ. ELMERS WOOD GLUE
2	QT. TEAK OIL
20	SIMPSON ZMAX STRONG TIE
8	3/8" x 24" THREADED ROD
16	3/8" HEX NUT
16	3/8" FENDER WASHER

PROJECT NAME AGENTJOHNSON BENCH DALLAS, TX	JOB NUMBER 0000001	SHEET TITLE LAYOUT
CUSTOMER NAME HOME DALLAS, TX		

ISSUE	DWN	CHK	ENG	PE	DATE
FINAL DESIGN	JSJ				05/16/15