

# LAMBORGHINI AVENTADOR

## PAPER-SUPER-CRAFT

“Sample”



Designed by Taras Lesko

[visualspicer.com](http://visualspicer.com)

## TIPS



View more details about this project at <http://bit.ly/AventadorPapercraft> or scan the QR code to view the page on your mobile device.

## Paper Size

- This document is designed for **A4** and **Letter** size paper.

## Printing

1. Select your printer in “Print” dialog.
2. Select your page size in “Printer Properties” dialog.
3. Select the “Fit to page” size option in “Print” dialog.
4. Press “Print” button.

## Tools & Materials

- 110lb / 200gsm cardstock paper (recommended)
- Printer
- X-Acto knife (optional)
- Scissors (optional)
- Markers (optional)
- Ruler (optional)

## Miscellaneous

- Glue only one part at a time.
- Glue only two or three tabs at a time.
- If you mess up, reprint templates and try again.
- Experiment, enjoy and have fun!

# TEMPLATES



**Cut**

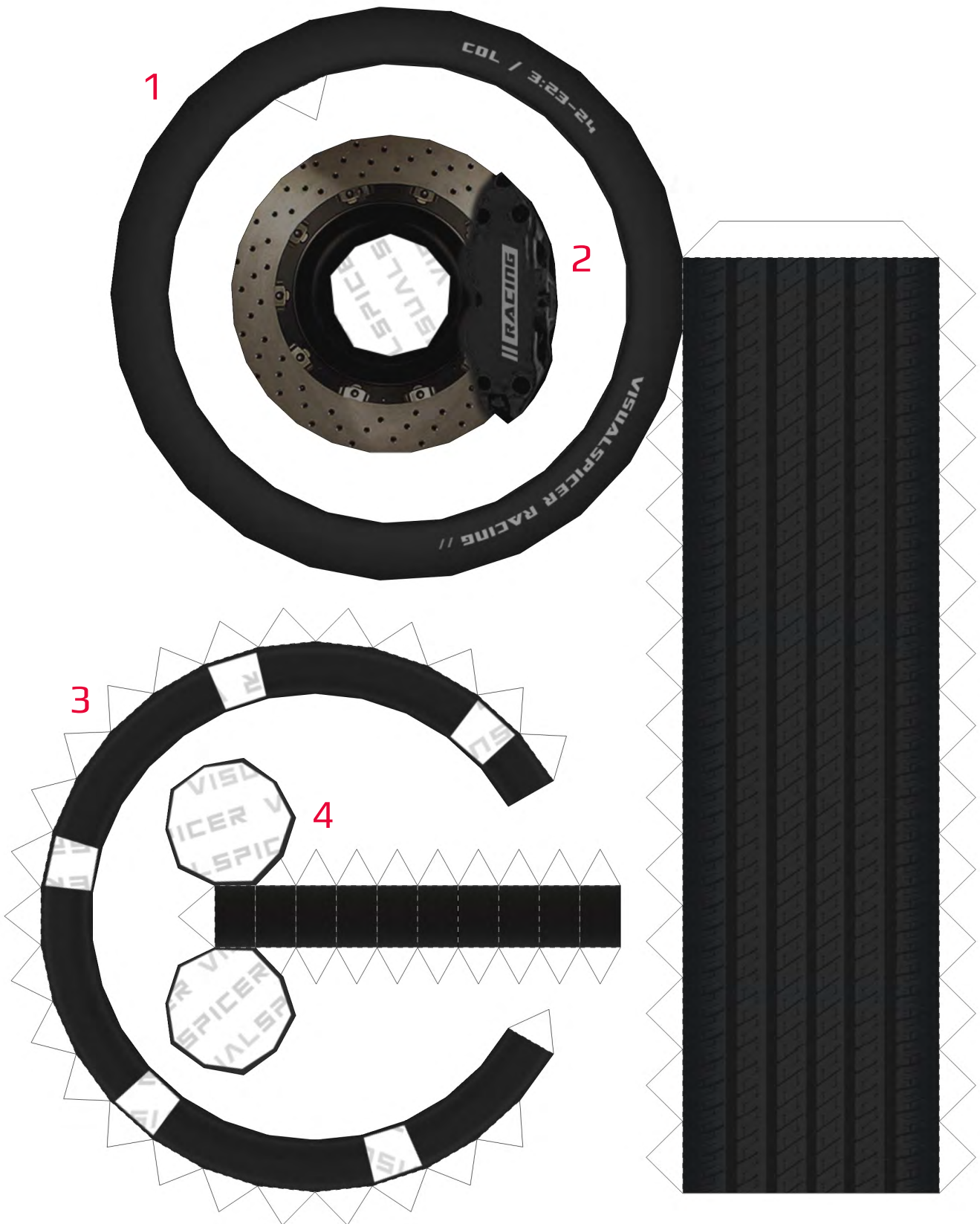


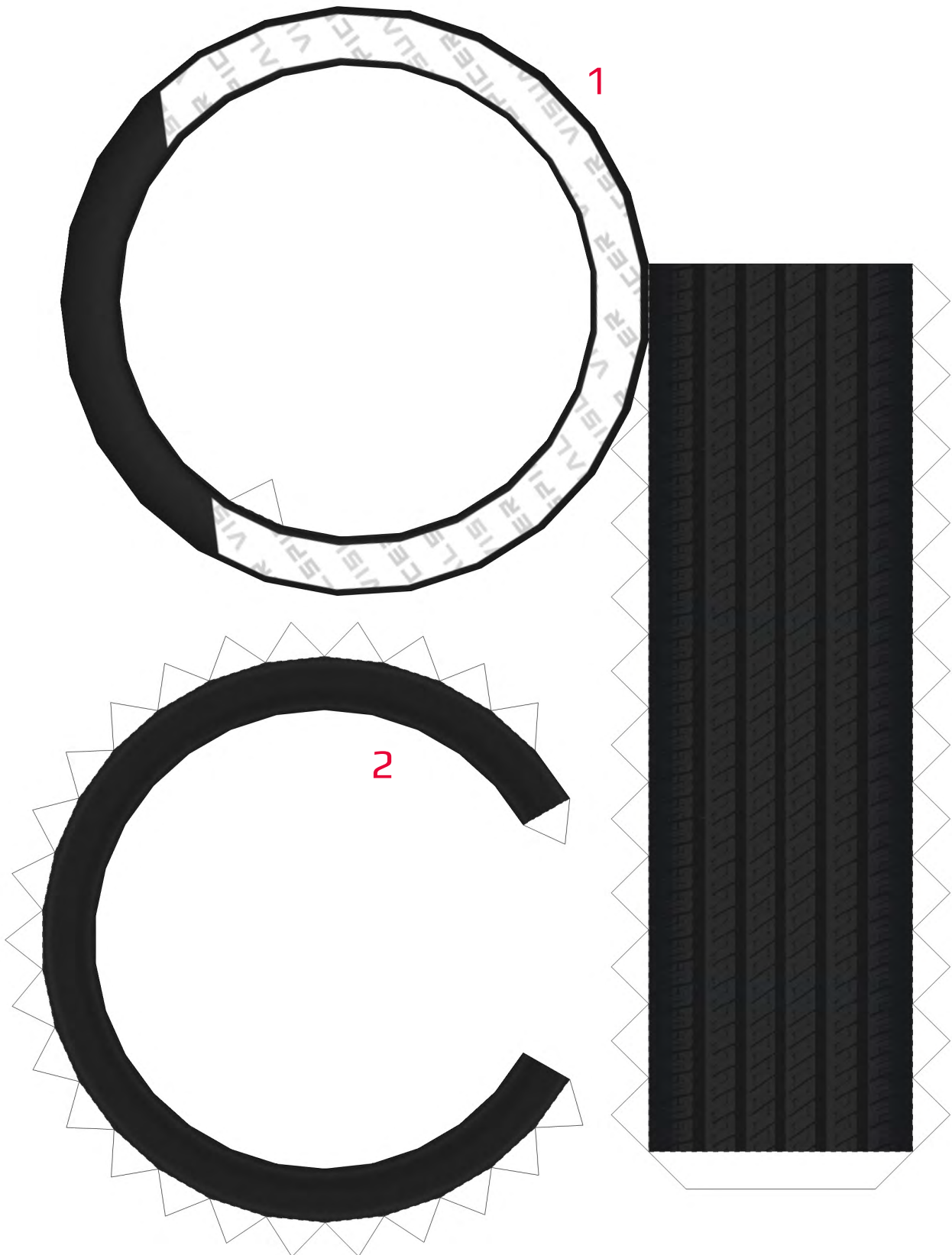
**Mountain Fold** 

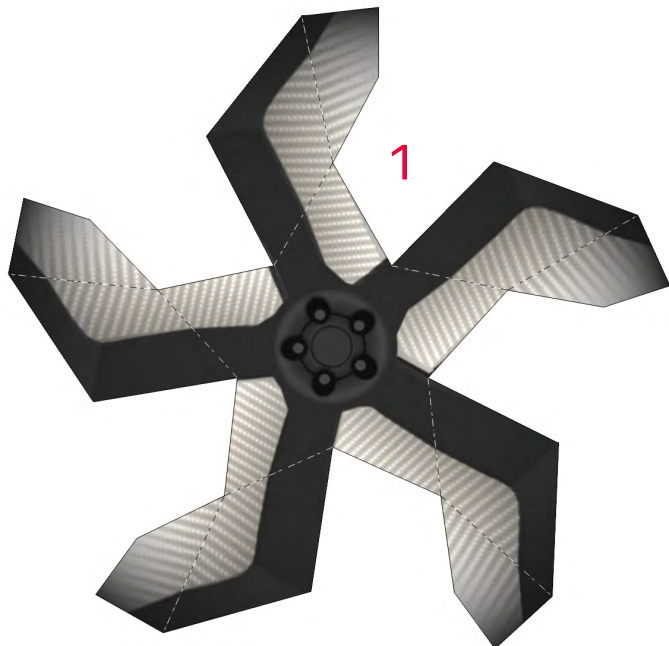


**Valley Fold** 











# INSTRUCTIONS

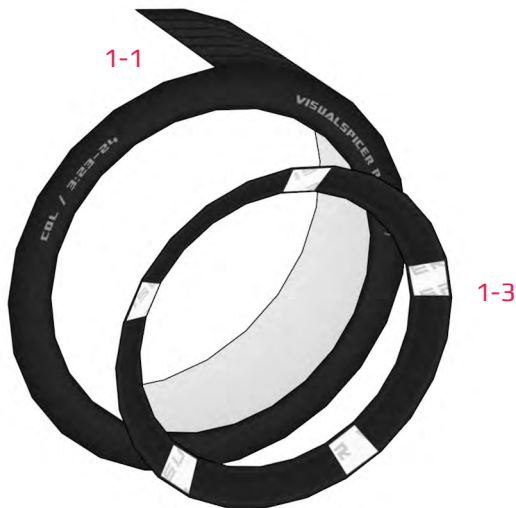


TEMPLATES PAGE NUMBER      TEMPLATES PART NUMBER

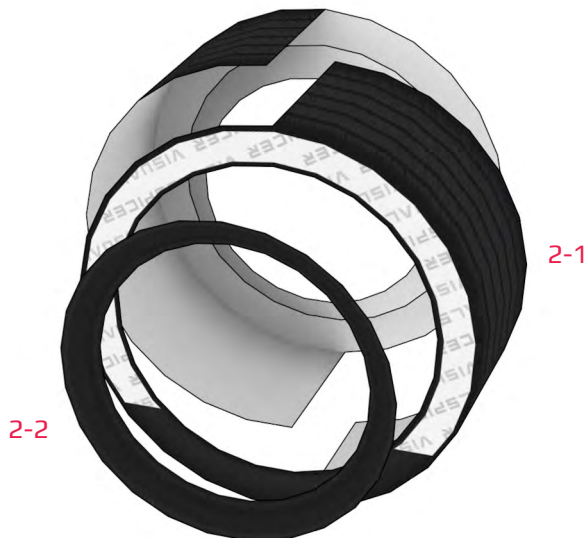


# - #

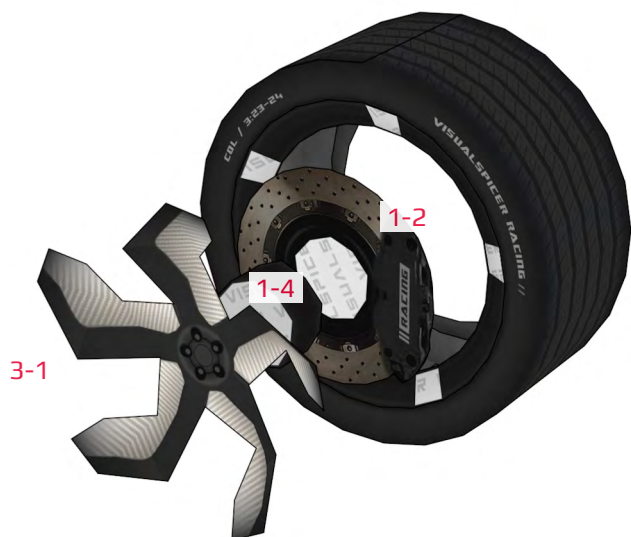
1



2



3



# THANK YOU

Visit [visualspicer.com](http://visualspicer.com) for more of my creative work and downloadable papercrafts. Send questions, suggestions or comments to [mail@visualspicer.com](mailto:mail@visualspicer.com).

- Taras Lesko



## Colossians 3:23-24

Whatever my hands find to do, I work at it with all my heart,  
as working for the Lord, Jesus Christ...

---

Model texturing by **Virgil Tuser** of Romania.

Proofing by **Andy Brine** of United Kingdom.

Test building by **Vladi Colton** of Israel.

Test building by **Martin Hazenberg** of Netherlands.

Test building by **Cody Thompson** of United States.