
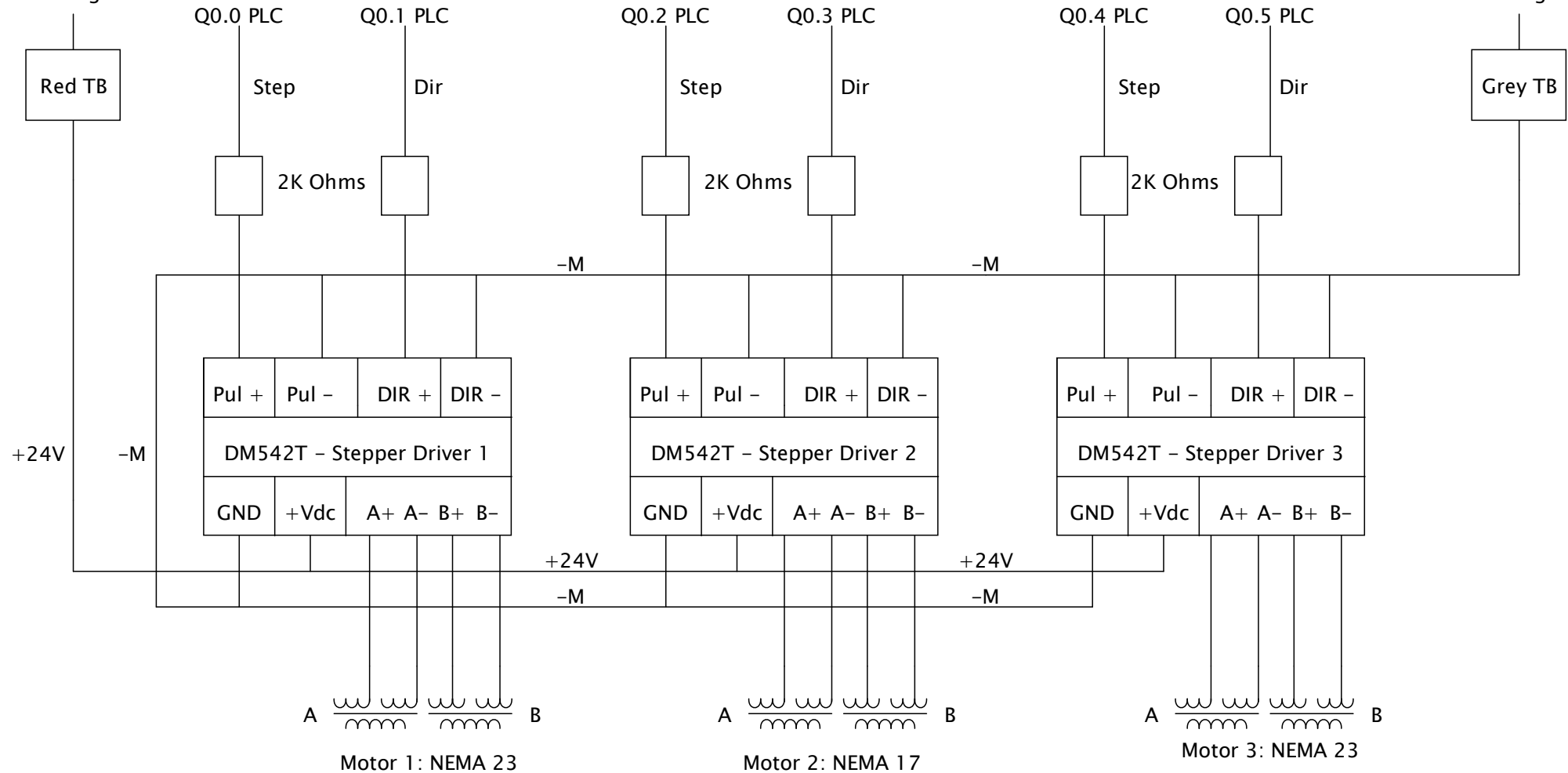



Responsible dep.	Technical reference	Created	Approved	
		Document type	Document status	Rev.
		Title, supplementary title		Scale
		Date of issue 3/29/2022	Lang.	Sheet 1/2

From Page 1

From Page 1



Responsible dep.	Technical reference	Created	Approved	
		Document type	Document status	Rev.
		Title, supplementary title		Scale
				Date of issue 3/29/2022