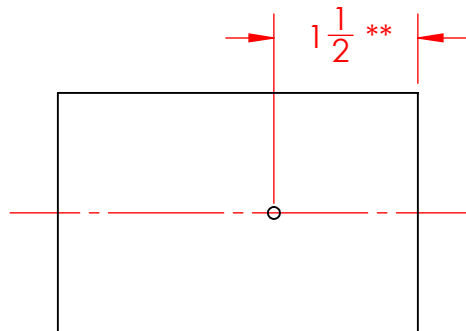


2

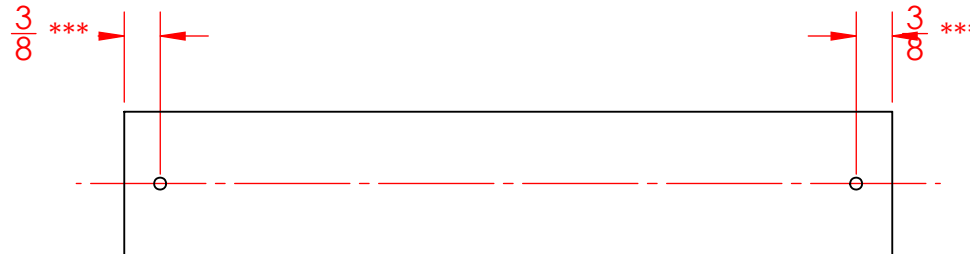
1

B

B



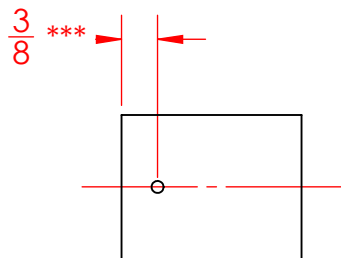
SLIDER



ROD

A

A



CRANK

UNLESS OTHERWISE SPECIFIED:

DIMENSIONS ARE IN INCHES
 TOLERANCES:
 * = ±0.5
 ** = ±0.25
 *** = ±0.063

INTERPRET GEOMETRIC TOLERANCING PER:

MATERIAL WOOD

FINISH

DO NOT SCALE DRAWING

DRAWN NAME DATE

CHECKED Mia Kobs 5/28

ENG APPR.

MFG APPR.

Q.A.

COMMENTS:

TITLE:

ARM COMPONENT DRILLING

SIZE DWG. NO. REV

A

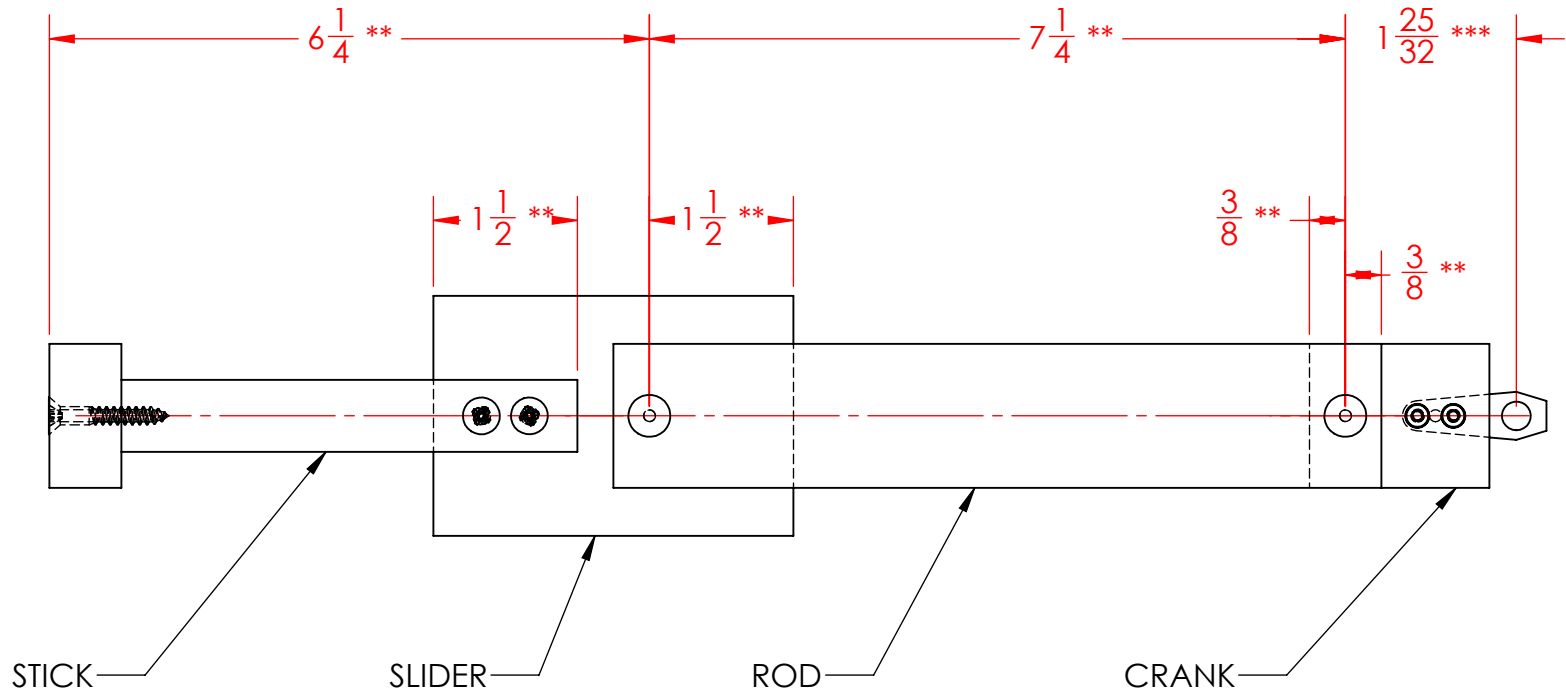
SCALE: 1:2 WEIGHT: SHEET 4 OF 9

2

1

B

B



A

A

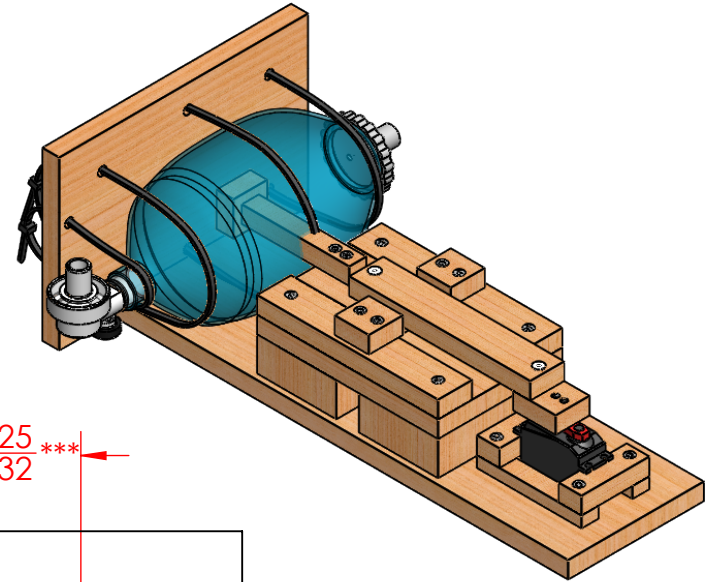
| | | | | | |
|--------------------------------------|-----------|----------|------|---------------------------------|--|
| UNLESS OTHERWISE SPECIFIED: | | NAME | DATE | TITLE: ARM | |
| DIMENSIONS ARE IN INCHES | DRAWN | Mia Kobs | 5/28 | | |
| TOLERANCES: * = ±0.5 | CHECKED | | | | |
| ** = ±0.25 | ENG APPR. | | | | |
| *** = ±0.063 | MFG APPR. | | | | |
| INTERPRET GEOMETRIC TOLERANCING PER: | Q.A. | | | SIZE DWG. NO. REV | |
| MATERIAL WOOD | COMMENTS: | | | A | |
| FINISH | | | | SCALE: 1:2 WEIGHT: SHEET 3 OF 9 | |
| DO NOT SCALE DRAWING | | | | | |

2

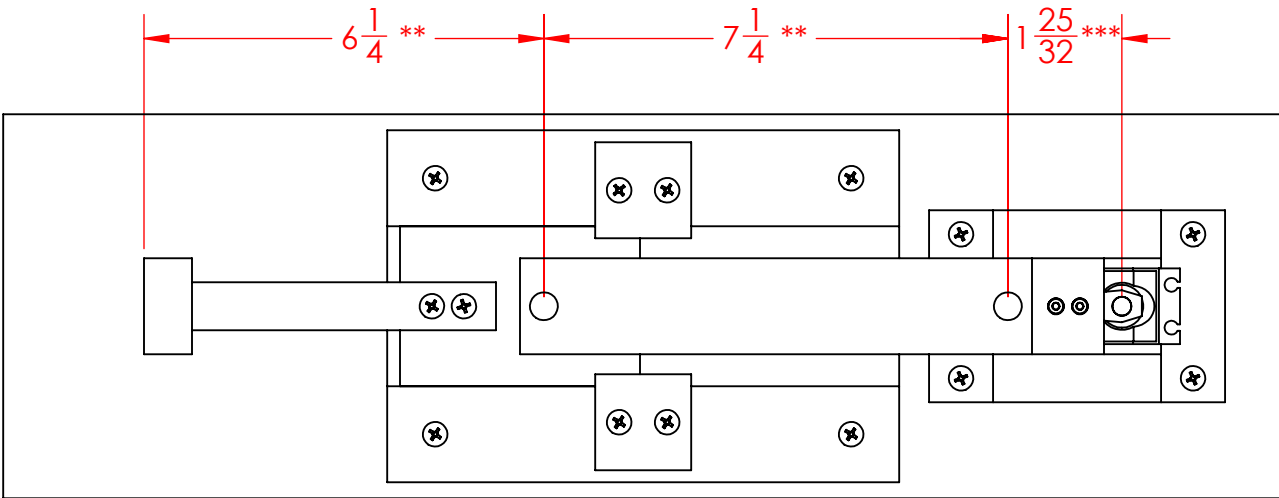
1

B

B



KEY DIMENSIONS



A

A

| | | | | | |
|--------------------------------------|-----------|------------|-----------------------------|--------------|------|
| UNLESS OTHERWISE SPECIFIED: | NAME | DATE | TITLE: <h1>Assembly</h1> | | |
| DIMENSIONS ARE IN INCHES | DRAWN | Mia Kobs | | | 5/28 |
| TOLERANCES: | CHECKED | | | | |
| * = ±0.5 | ENG APPR. | | | | |
| ** = ±0.25 | MFG APPR. | | | | |
| *** = ±0.063 | Q.A. | | | | |
| INTERPRET GEOMETRIC TOLERANCING PER: | COMMENTS: | | | | |
| MATERIAL | | SIZE | DWG. NO. | REV | |
| FINISH | | A | | | |
| DO NOT SCALE DRAWING | | SCALE: 1:3 | WEIGHT: | SHEET 2 OF 9 | |

2

1