

# MacroMitt

## Macro Pad for AutoCAD

[www.instructables.com/member/Wingletang/](http://www.instructables.com/member/Wingletang/)

### LEGEND

Signal Wire 

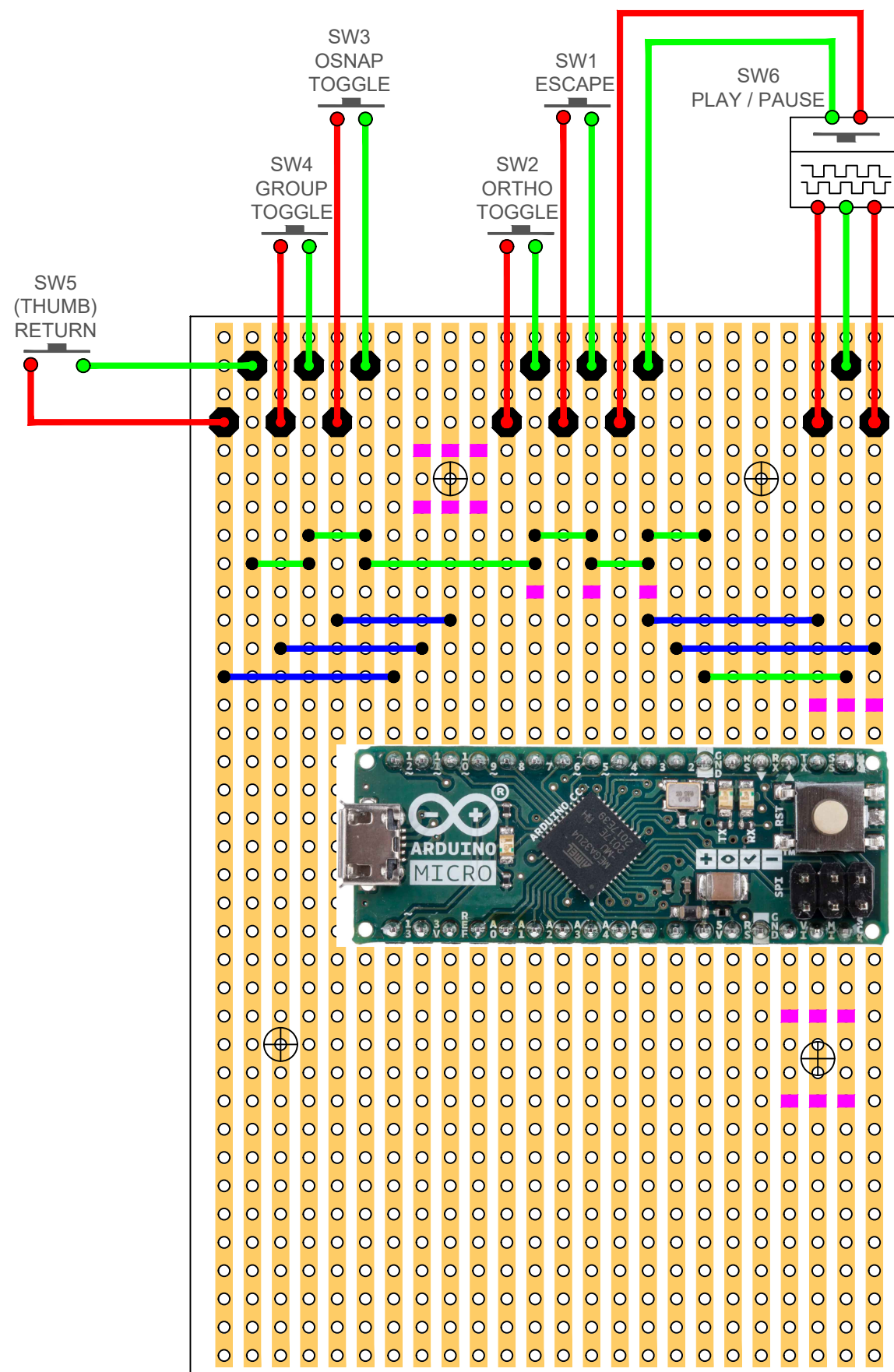
0V Wire 

Interconnect Wire 

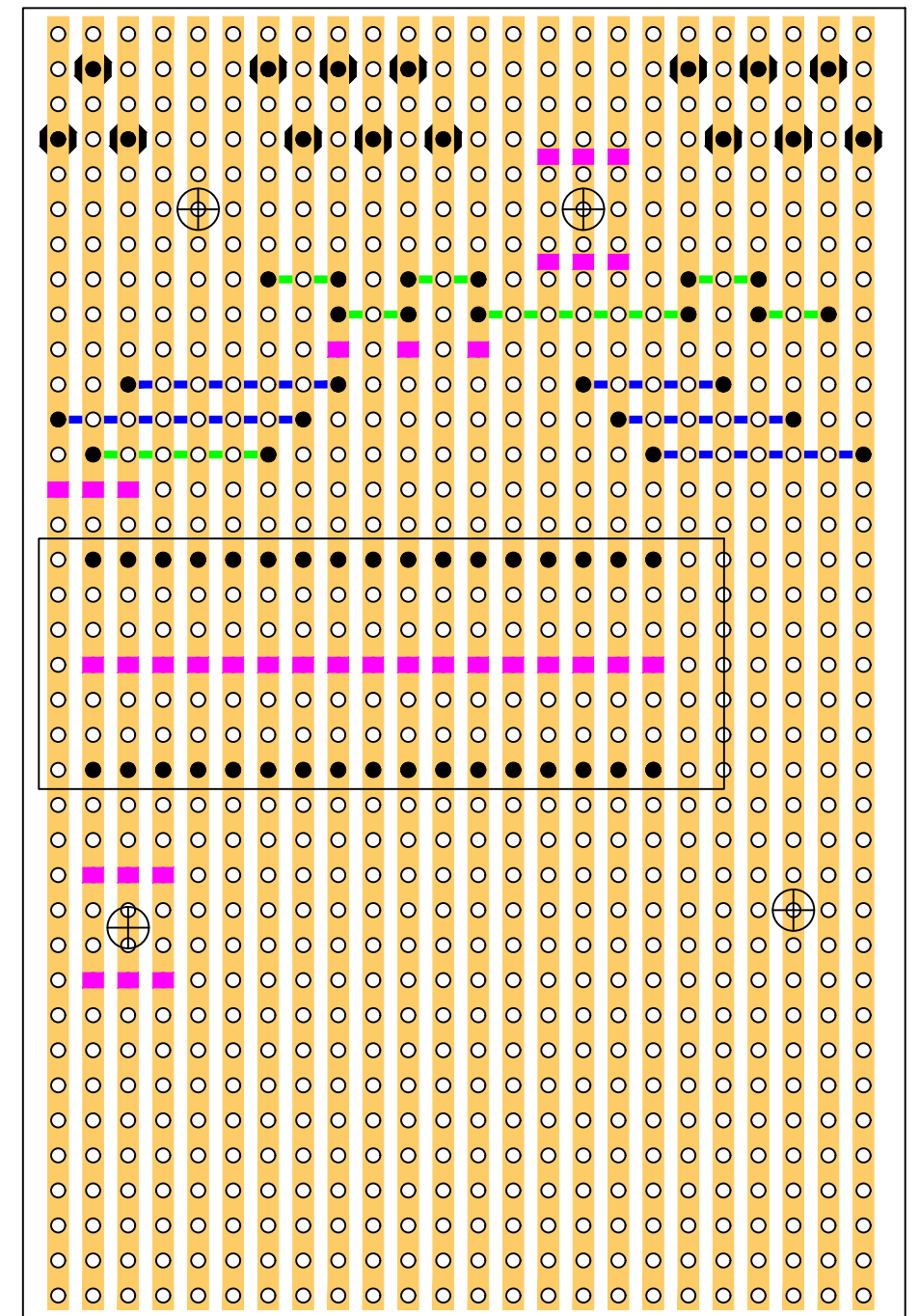
Break in copper strip 

Header Pins 

3mm Mounting Holes 



Component Side



Copper Strip Side