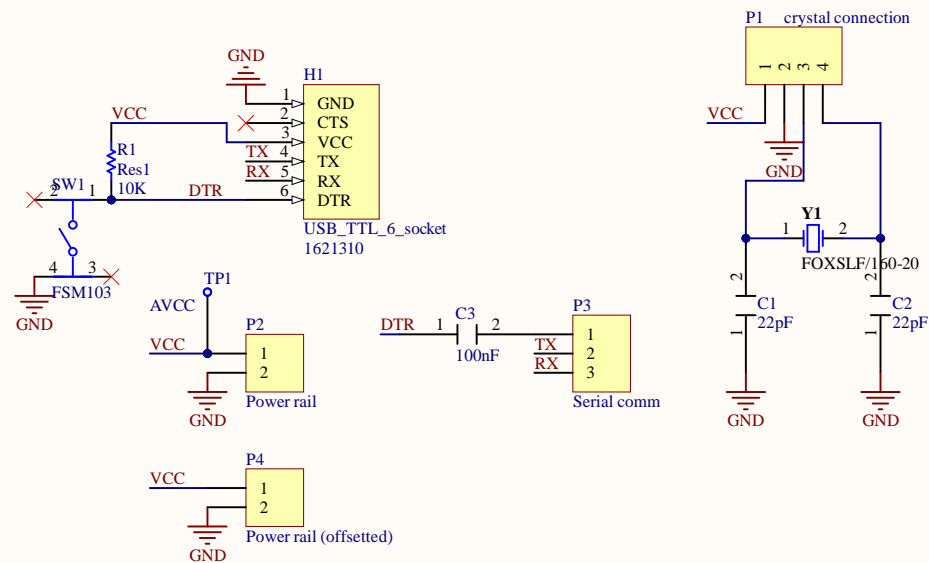


Atmega328P Shield for Breadboard Prototyping



Title Atmega328P Shield for Breadboard Prototyping		
Size A4	Number 1	Revision 1
Date: 7/17/2023	Sheet of 1	
File: C:\Users\...\Atmega328P_Shield.SchDoc	Drawn By: Square1a	

