

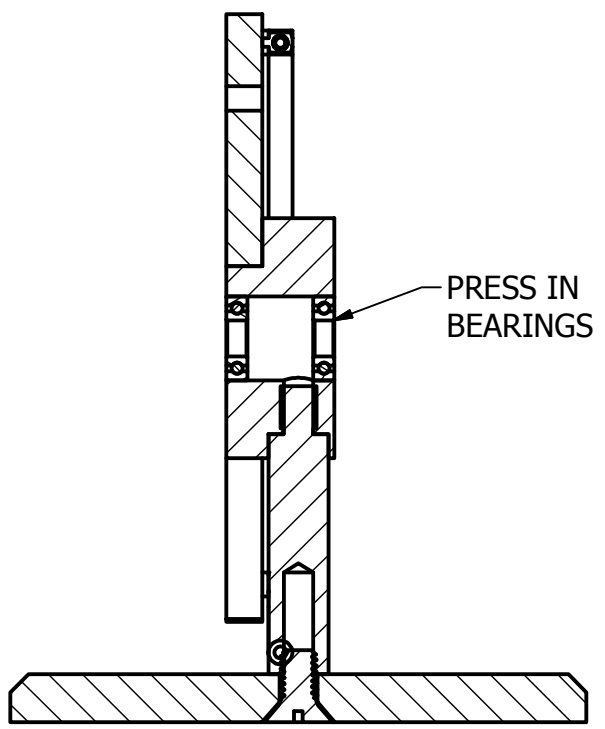
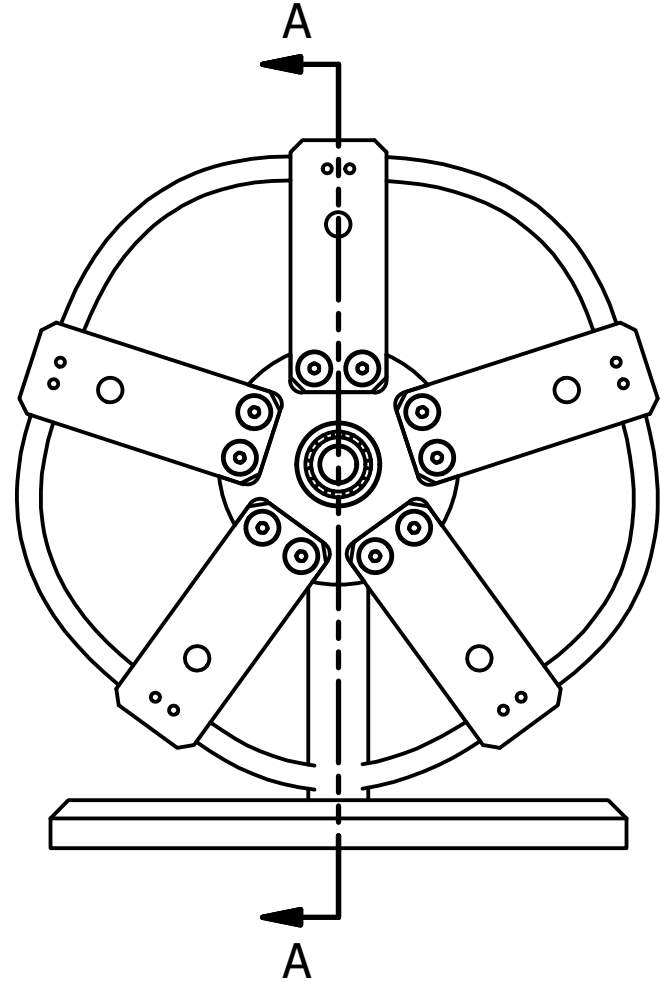
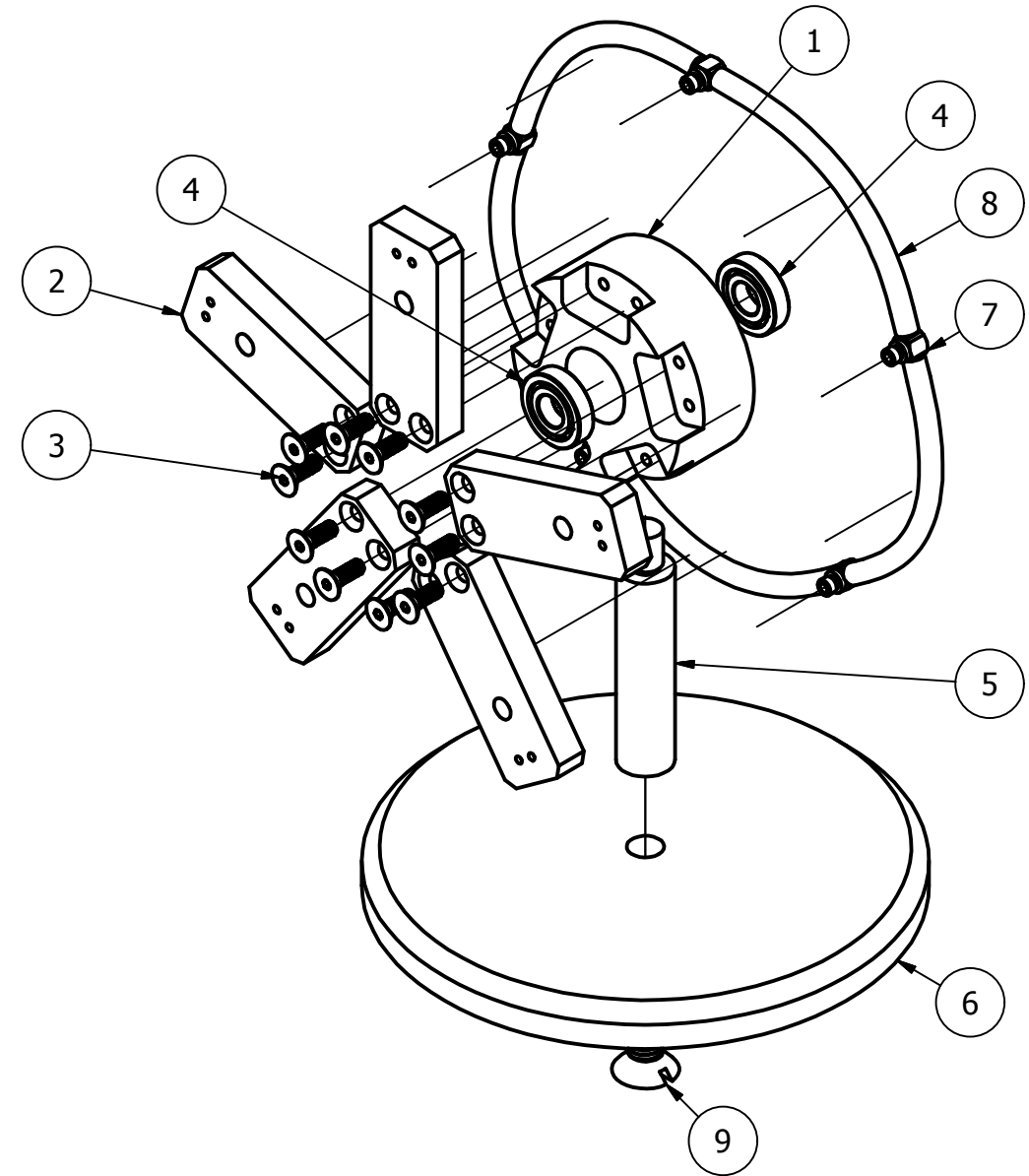
4

3

2

1

PARTS LIST			
ITEM	QTY	PART NUMBER	DESCRIPTION
1	1	Hub	MATERIAL: ALUMINUM
2	5	Arm, Frame	MATERIAL: ALUMINUM
4	2	60355K504_BALL BEARING	
5	1	Post	MATERIAL: ALUMINUM
6	1	Base Plate	MATERIAL: ALUMINUM
7	5	CLIPPARD TT0-404	
8	5	Tubing	1/4" OD
9	1	3812FHS	
3	10	0808FSHS	



SECTION A-A

DRAWN	5/12/2017	TITLE		
Rob				
CHECKED				
QA				
MFG		SIZE	DWG NO	REV
APPROVED		B	Assy - Frame	
		SCALE	SHEET 1 OF 1	

4

3

2

1