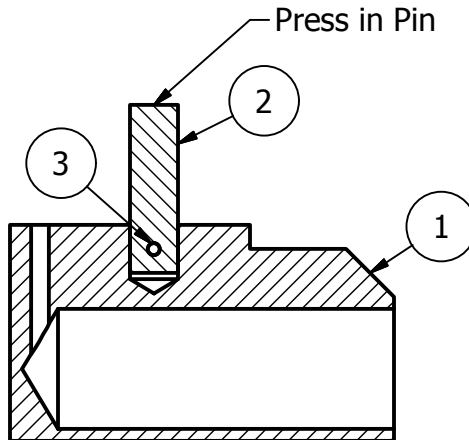
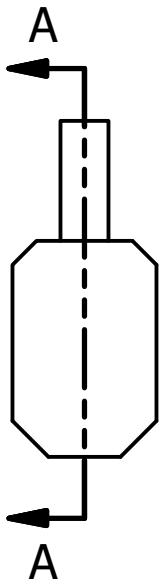


2



1

PARTS LIST			
ITEM	QTY	PART NUMBER	DESCRIPTION
1	1	Cylinder	MATERIAL: BRASS
2	1	Shaft, Cylinder Wobble	MATERIAL: STEEL
3	1	Dowel Pin - .062 x .50	



SECTION A-A
SCALE 1 : 1

DRAWN Rob	5/12/2017	TITLE		
CHECKED				
QA				
MFG				
APPROVED				
		SIZE A	DWG NO Assy - Cylinder	REV
		SCALE		SHEET 1 OF 1

2



1

B

B

A

A