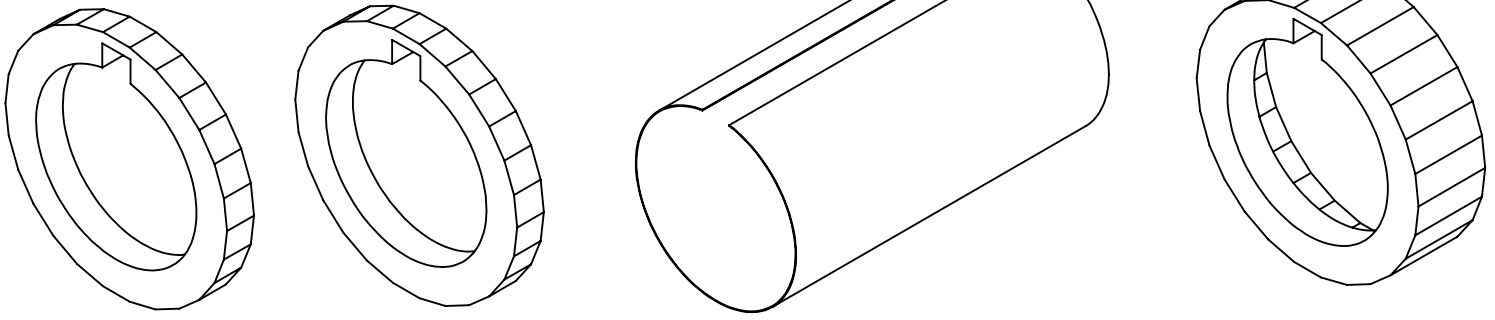
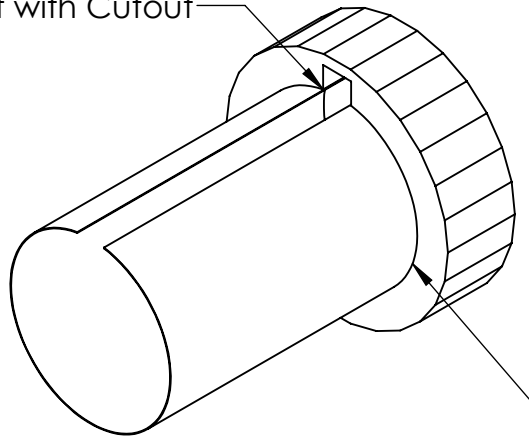


fold tabs inward



Align Slot with Cutout



Glue around tube and where tube meets the end cap