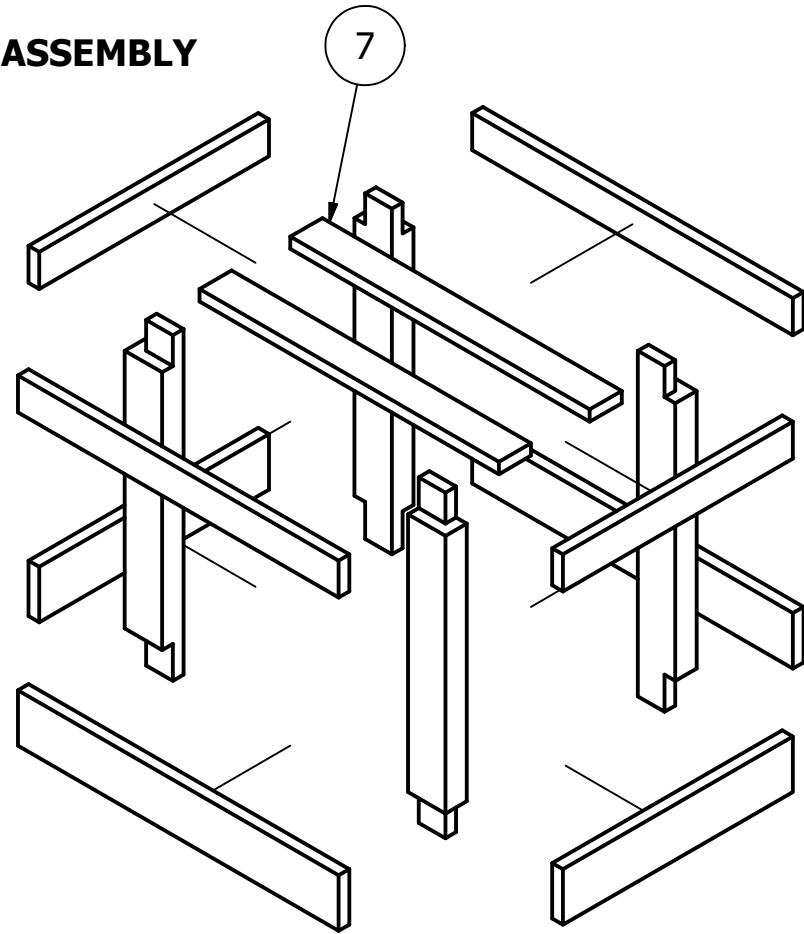


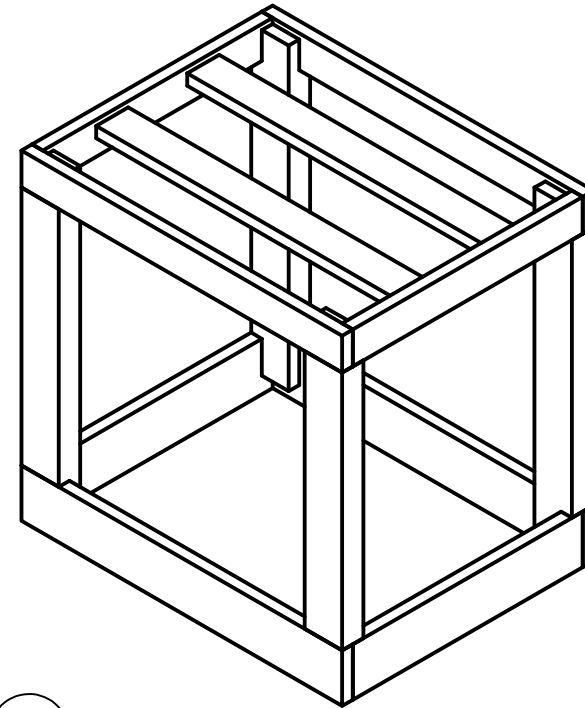
PARTS LIST			
ITEM	QTY	PART NUMBER	DESCRIPTION
1	2	LEG - 600mm	PALLET WOOD
2	2	LEG- 600mm-1	PALLET WOOD
3	2	TOP SUPPORT-430mm	PALLET WOOD
4	2	TOP SUPPORT- 600mm	PALLET WOOD
5	2	BOTTOM SUPPORT- 600mm	PALLET WOOD
6	2	BOTTOM SUPPORT-430mm	PALLET WOOD
7	4	MIDDLE SUPPORT-560mm	PALLET WOOD
8	6	LAMINATE FULL WIDT	LAMINATE 10mm THICK
9	2	LAMINATE CUT TO FIT	LAMINATE 10mm THICK

Designed by B.REINOSA, A.JOVICIC	Checked by	Approved by	Date	Scale 1:5	Date 4/13/2016
MEDICINE HAT COLLEGE CADD 291 HABITAT FOR HUMANITY UPCYCLING PROJECT			PALLETE TABLE		
PALETTE TABLE PARTS			Edition	Sheet 1 / 2	

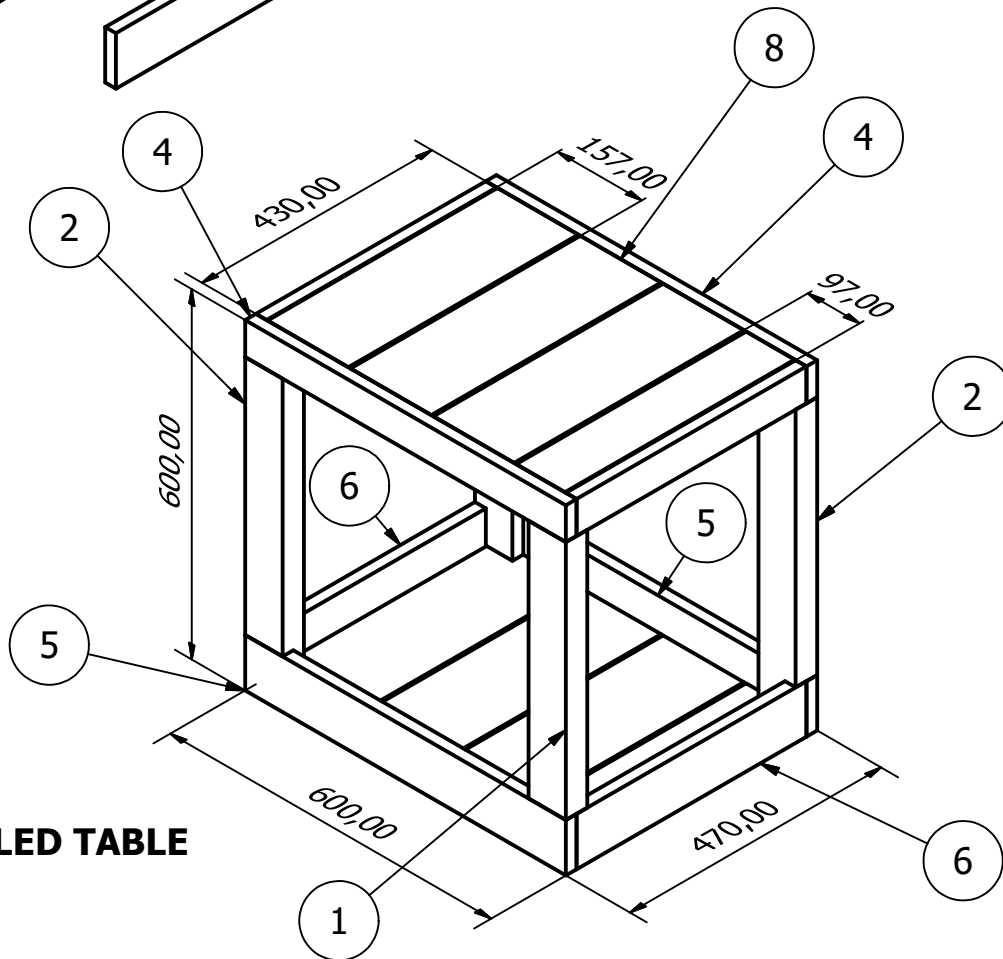
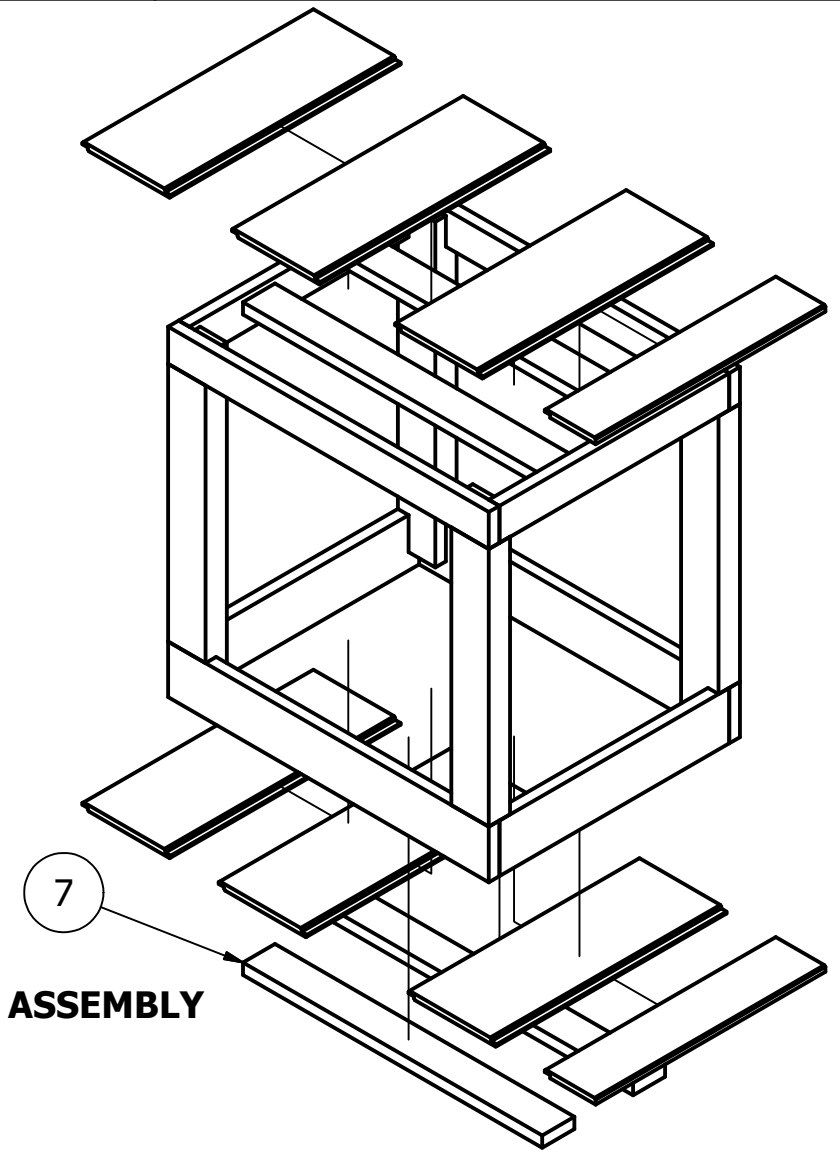
**FRAME ASSEMBLY**



**ASSEMBLED FRAME**



**FINAL ASSEMBLY**



**ASSEMBLED TABLE**

**PARTS LIST**

ITEM	QTY	PART NUMBER	DESCRIPTION
1	2	TABLE LEG - 600mm	PALLET WOOD
2	2	TABLE LEG - 600mm - 1	PALLET WOOD
3	2	TOP SUPPORT- 430mm	PALLET WOOD
4	2	TOP SUPPORT - 600mm	PALLET WOOD
5	2	BOTTOM SUPPORT- 600mm	PALLET WOOD
6	2	BOTTOM SUPPORT- 430mm	PALLET WOOD
7	4	MIDDLE SUPPORT -560mm	PALLET WOOD
8	6	LAMINATE FLOORING PANELS	LAMINATE

Designed by B.REINOSA, A.JOVICIC	Checked by	Approved by	Date	Scale 1:10	Date 4/13/2016
-------------------------------------	------------	-------------	------	---------------	-------------------

MEDICINE HAT COLLEGE CADD 291 UPCYCLING PROJECT	PALETT TABLE	
	PALLET TABLE ASSEMBLY	Sheet 2 / 2