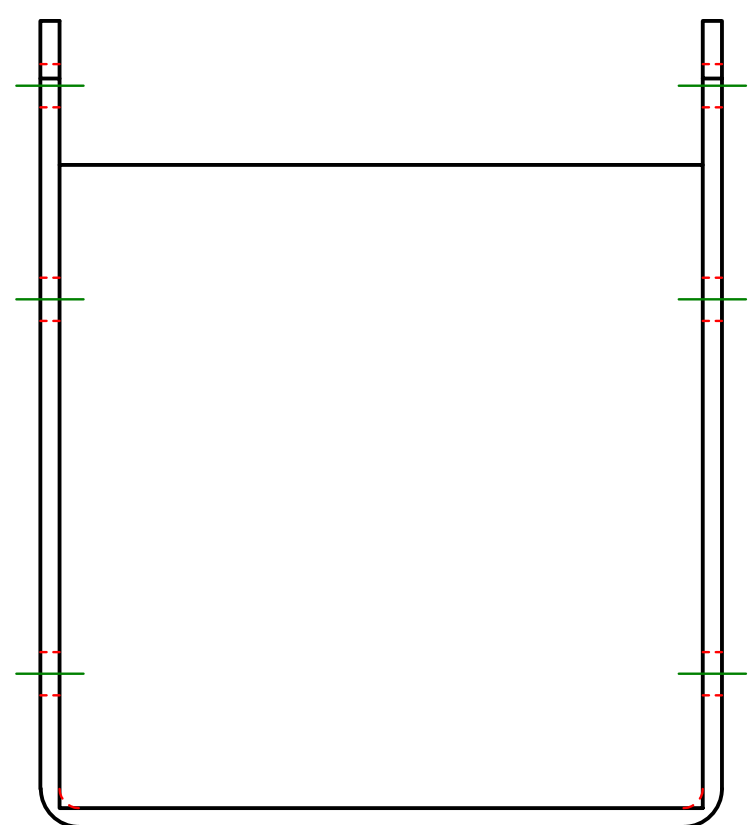
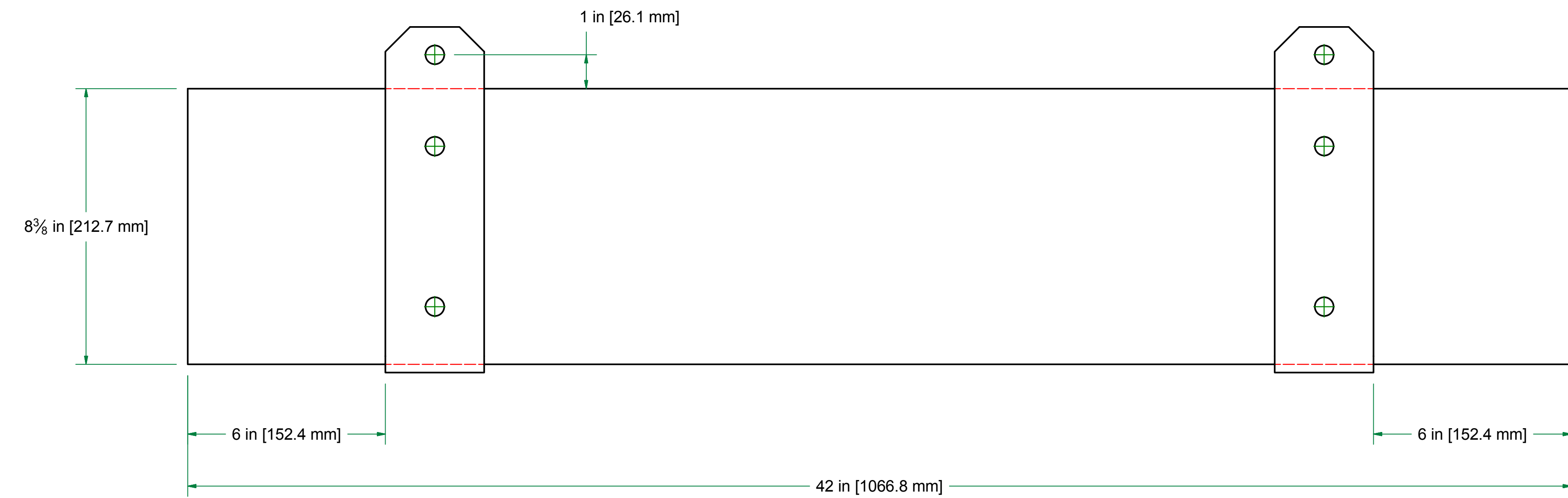
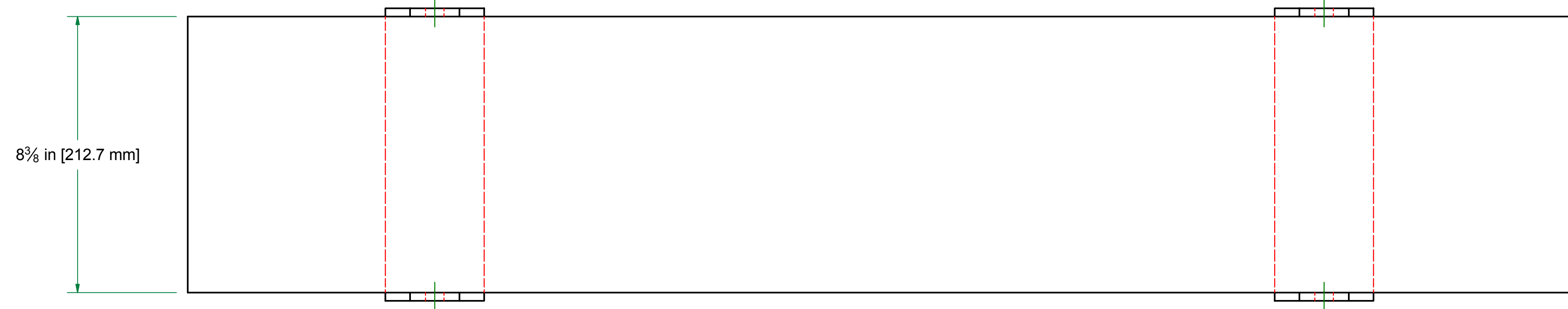
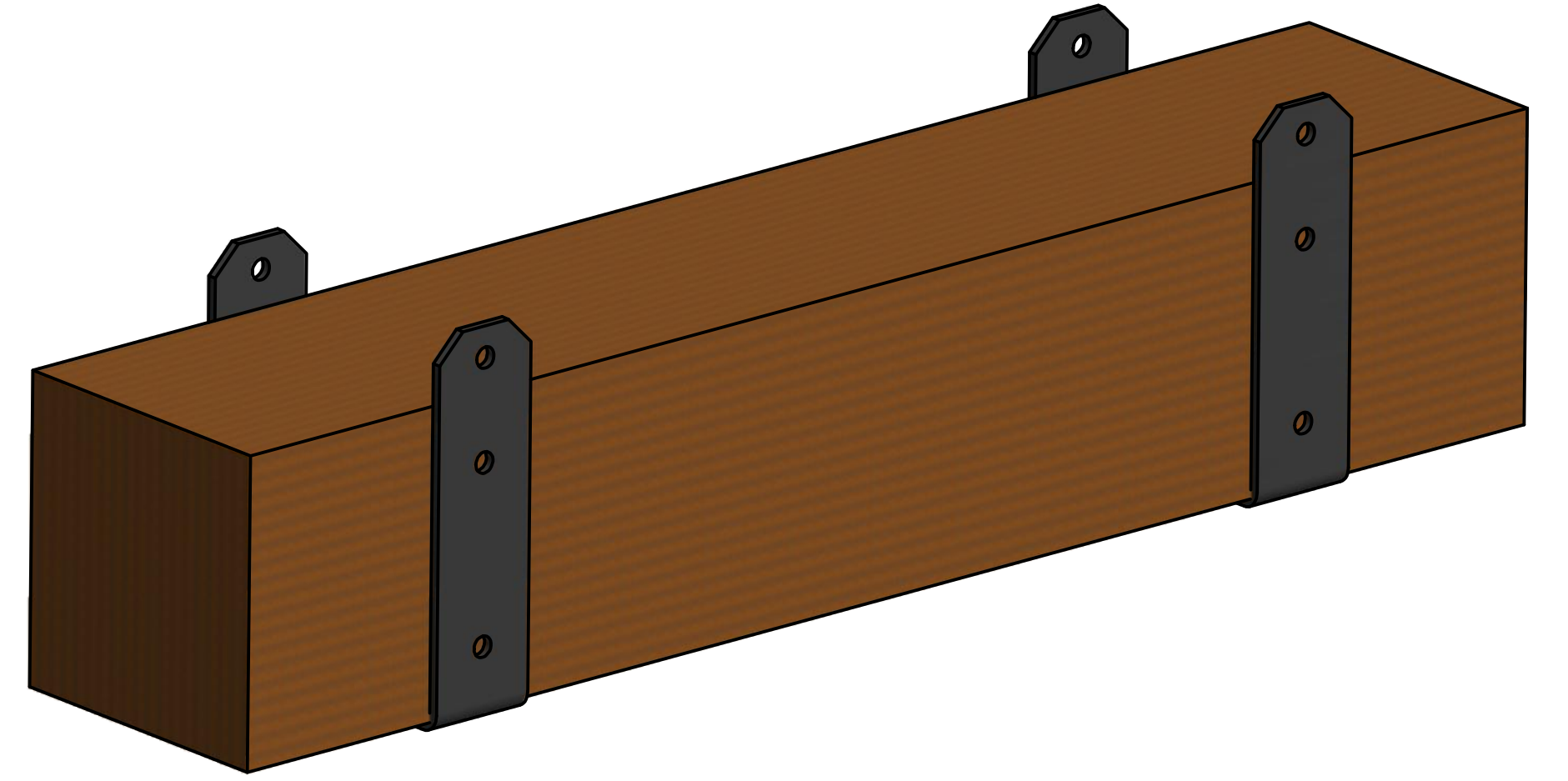


8 7 6 5 4 3 2 1



Les produits chimiques ou pièces livrées au Groupe Volvo doivent répondre aux requis indiqués dans les standards Volvo 100-0002, 100-0003 et 100-0005. Chemical products or parts delivered to Volvo Group must fulfill the requirements stated in the Volvo standards 100-0002, 100-0003 and 100-0005.

ENG. NOTICE		CHANGE DESCRIPTION & ZONE			PROJECTION	MATERIAL	
DATE		ORIGINAL RELEASE			UNITS MET (mm)	NOVABUS	
REVISED BY						CHK. USERNAME (ex: E.PREVOST) 2017-10-26	
CHK.	APP.	NOTICE: THIS DOCUMENT CONTAINS PROPRIETARY INFORMATION AND SHALL NOT BE USED OR REPRODUCED OR ITS CONTENTS DISCLOSED, IN WHOLE VEHICLE OR IN PART, WITHOUT THE PRIOR WRITTEN CONSENT OF Nova BUS.			WEIGHT	TITLE	APPROVED
					CREATED BY	DRAWING NO	SCALE N.T.S.
							SHEET 1 (1)
							REV.

8 7 6 5 4 3 2 1