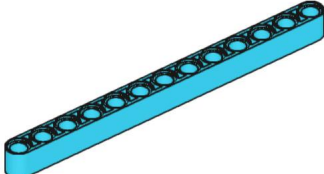

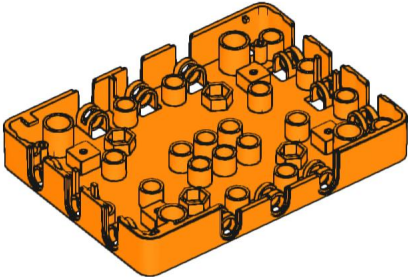
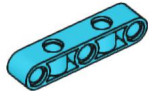
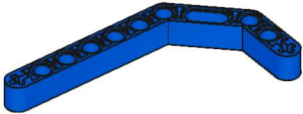

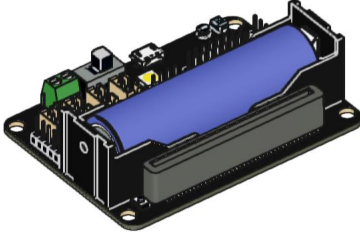

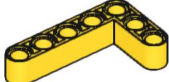

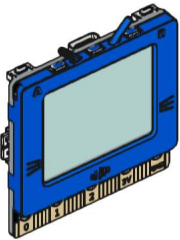

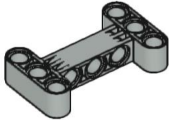





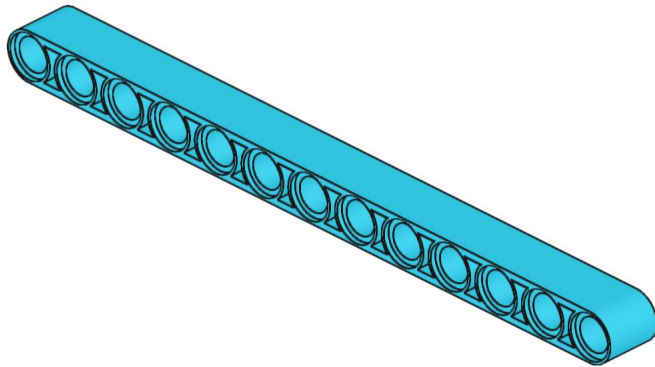
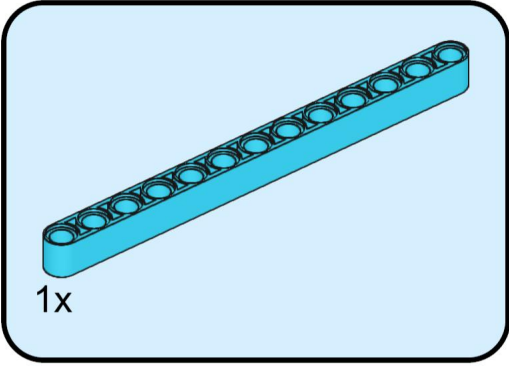
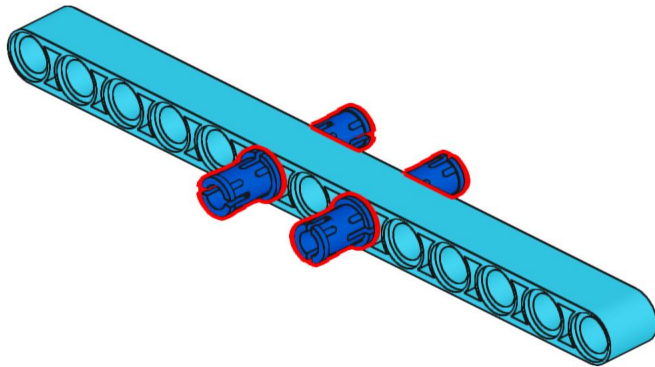


|   |   |  |   |
|---|---|--|---|
|  |  |  |  |
| 1x  | 2x  | 1x   | 2x  |
|  |  |  |  |
| 2x  | 2x  | 1x   | 1x  |
|  |  |   |  |
| 2x  | 2x  | 1x   | 1x  |
|  |  |  |  |
| 4x  | 6x  |  | 1x  |
|  |  |  |   |
| 2x  | 30x   |  |   |
|   |  |  |   |
|   | 6x  |  |   |

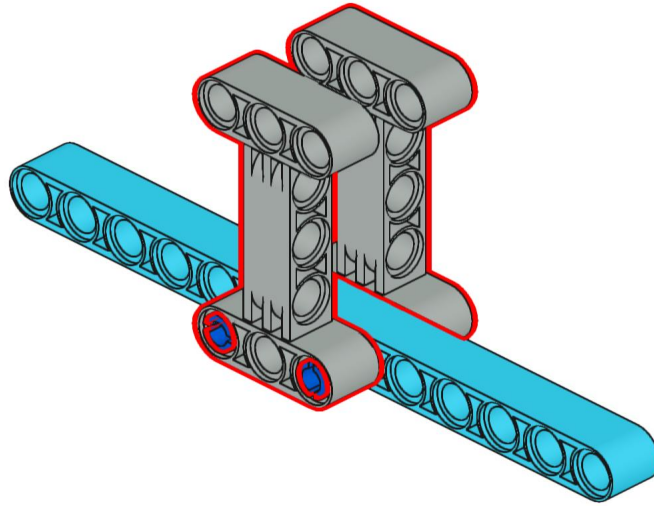
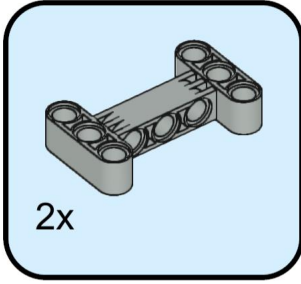
1



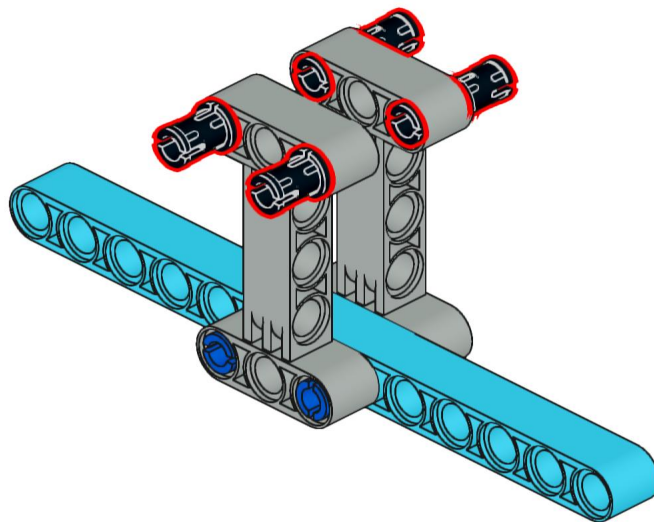
2



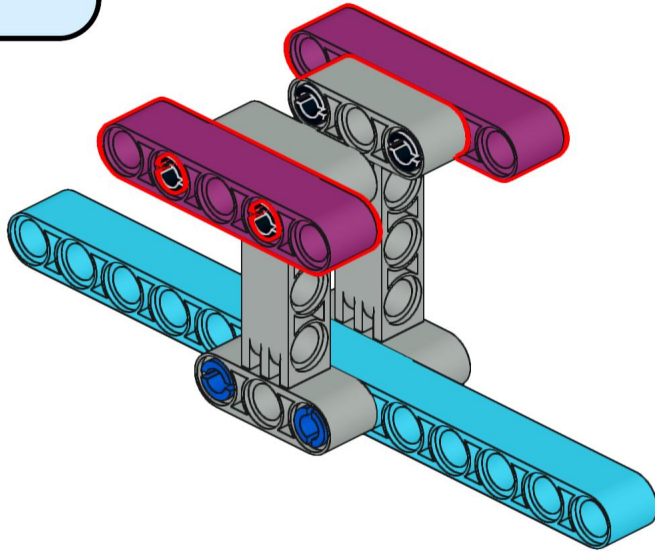
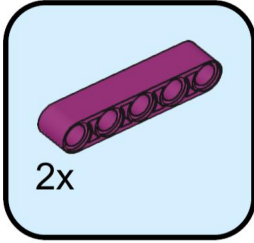
3



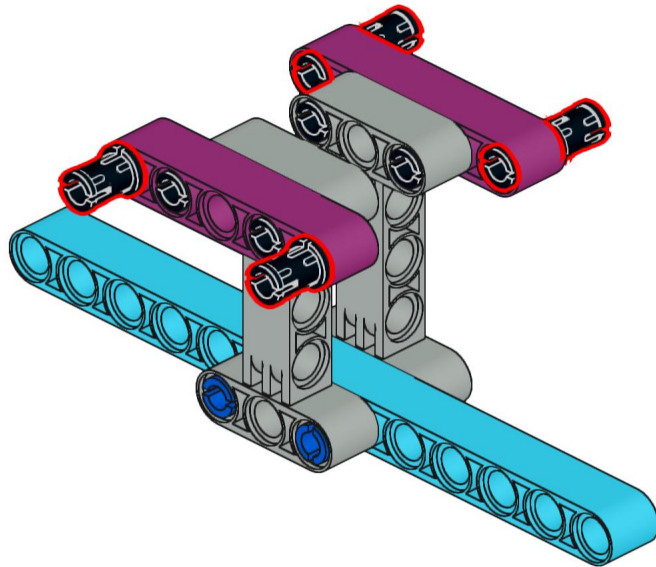
4



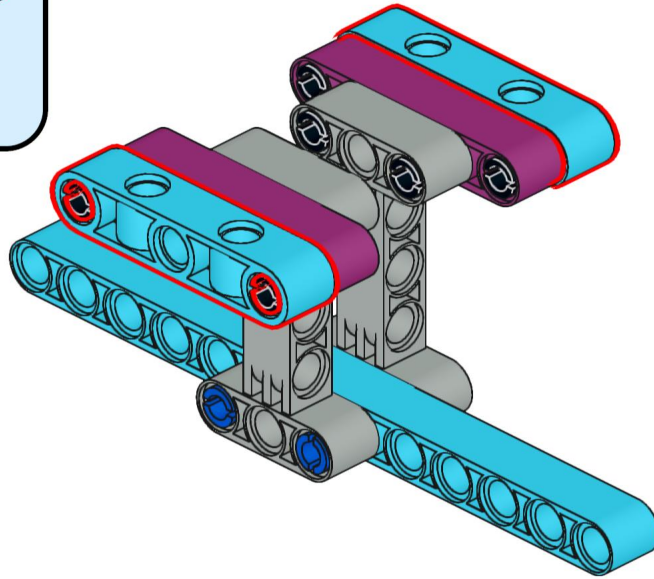
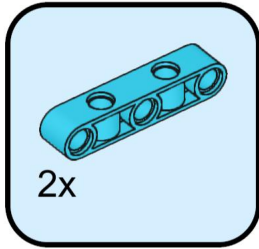
5



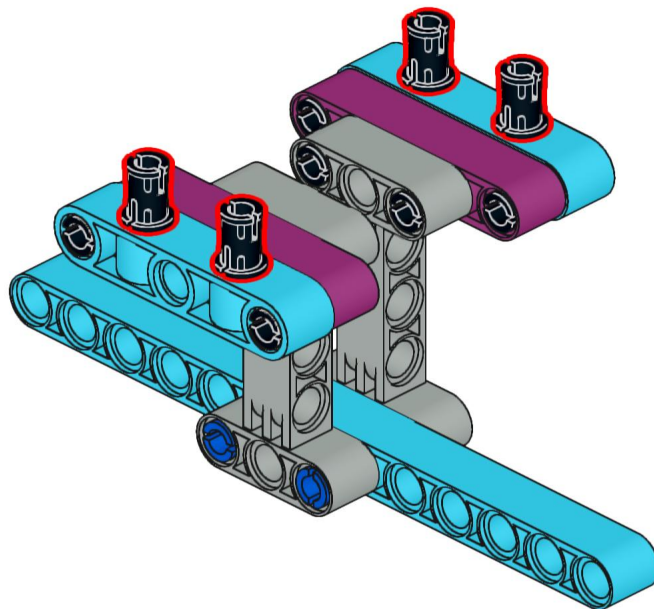
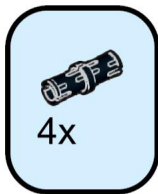
6



7

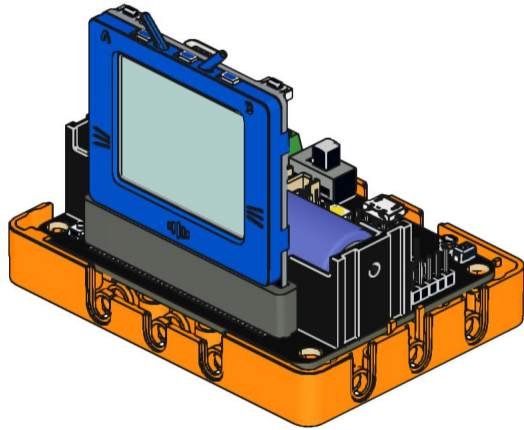
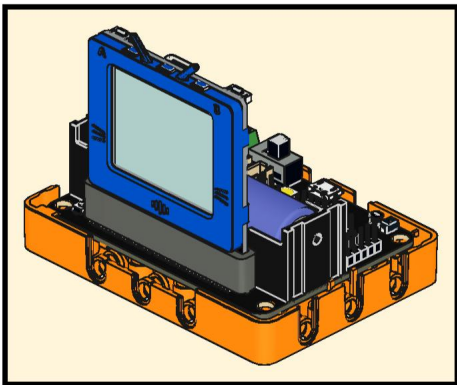
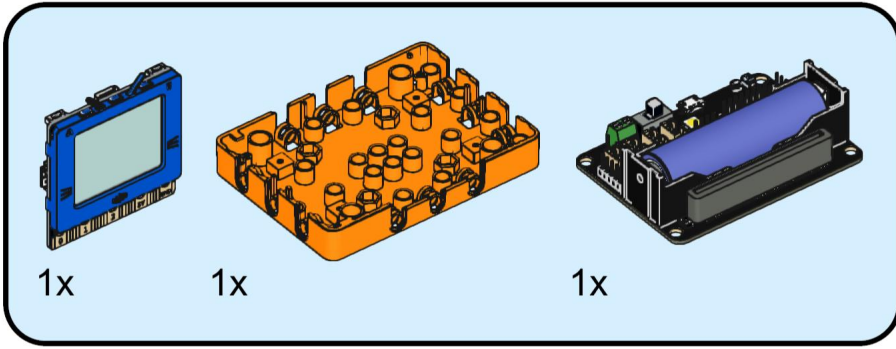


8

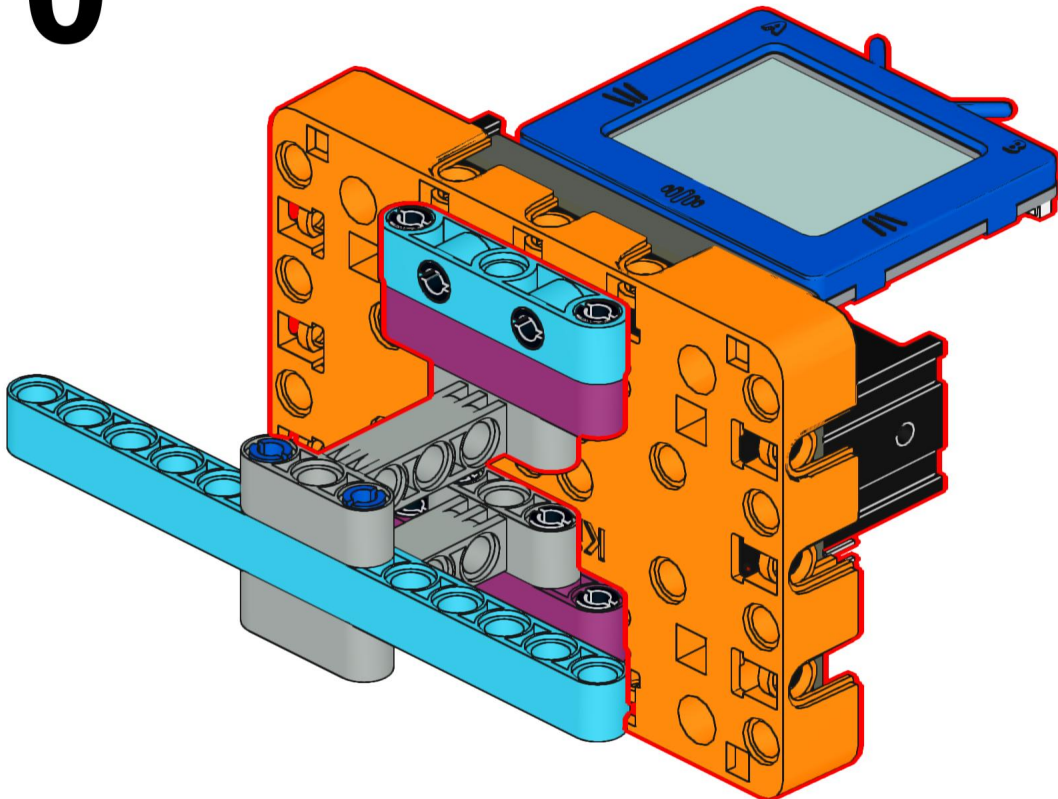




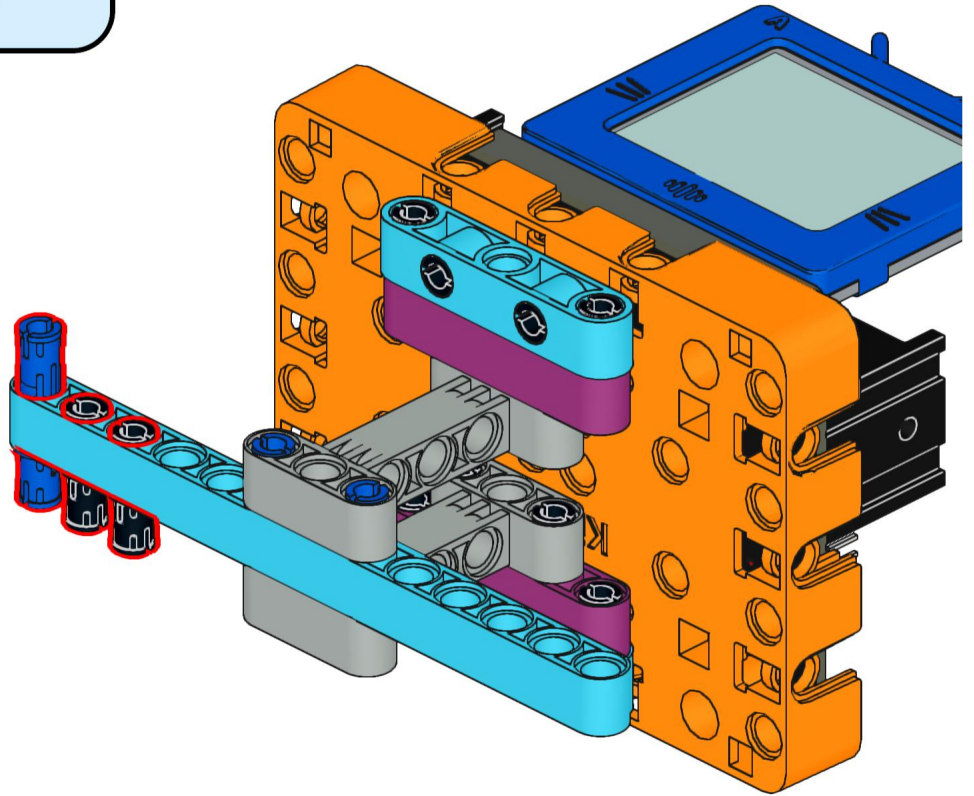
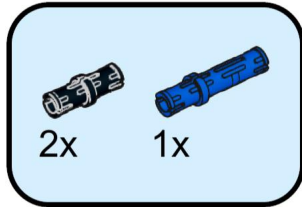
# 9



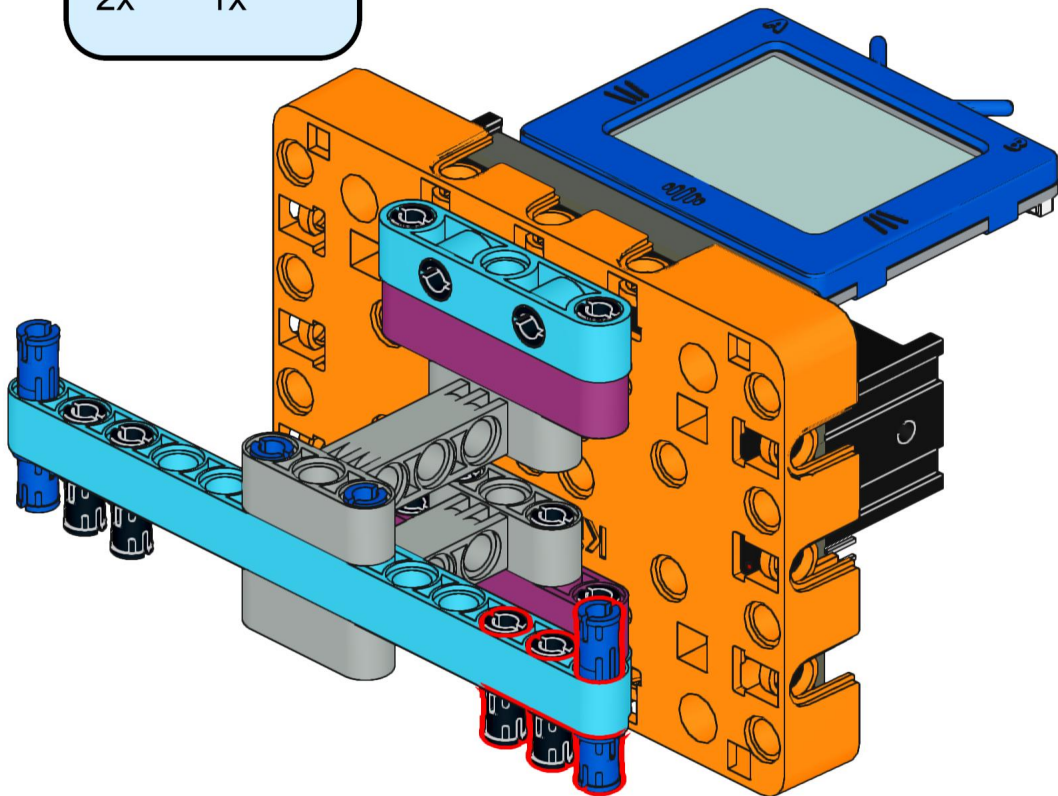
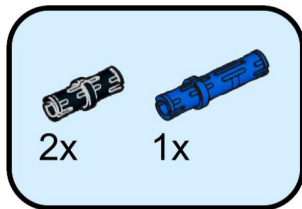
# 10



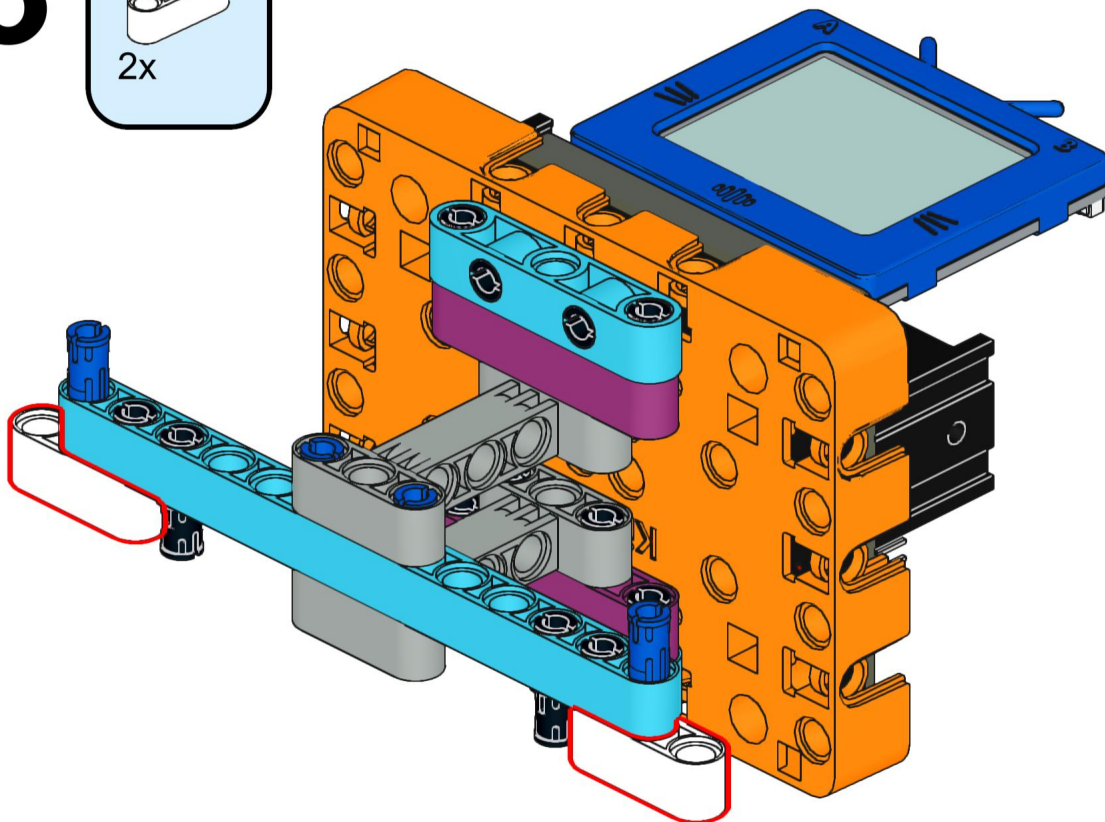
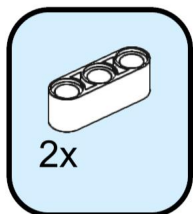
# 11



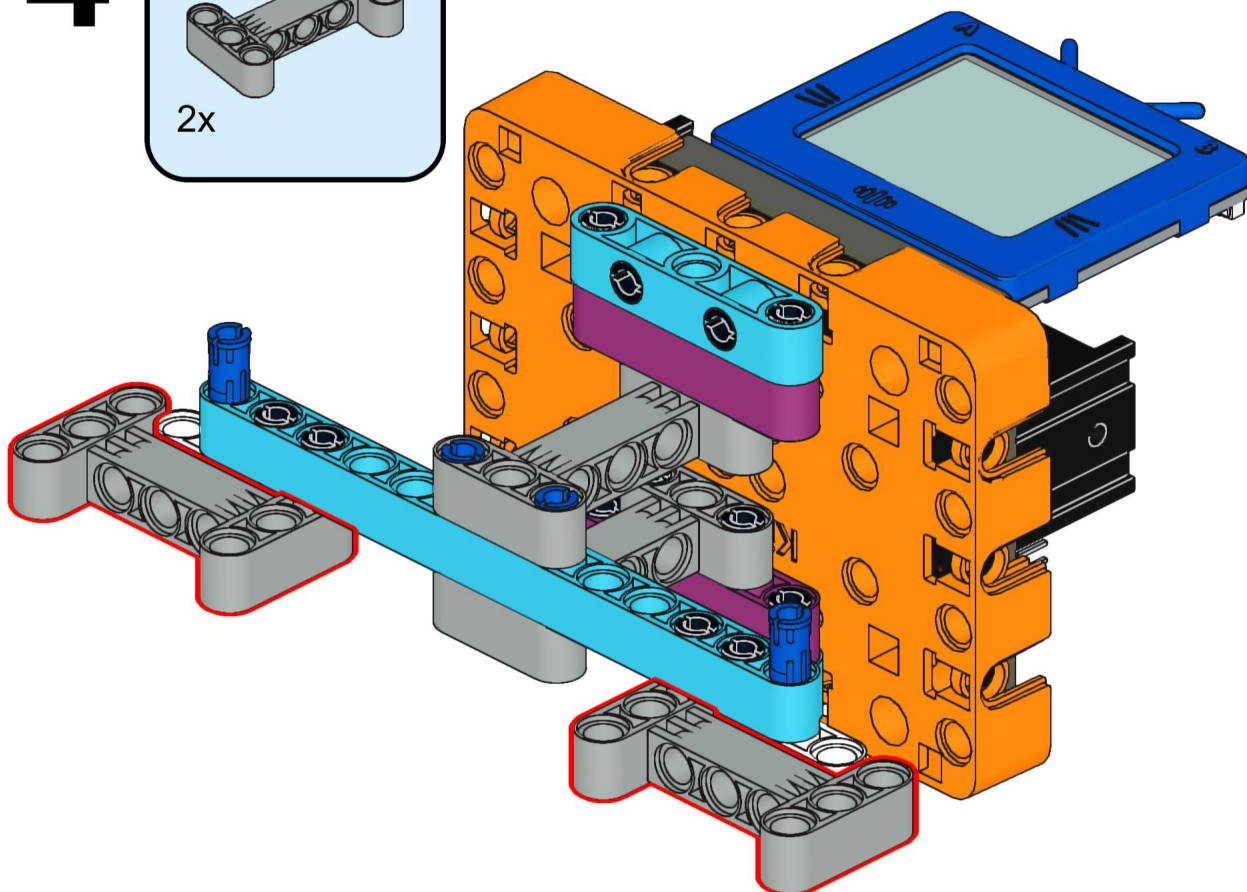
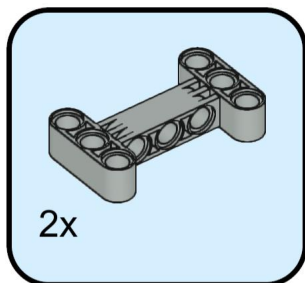
# 12



# 13

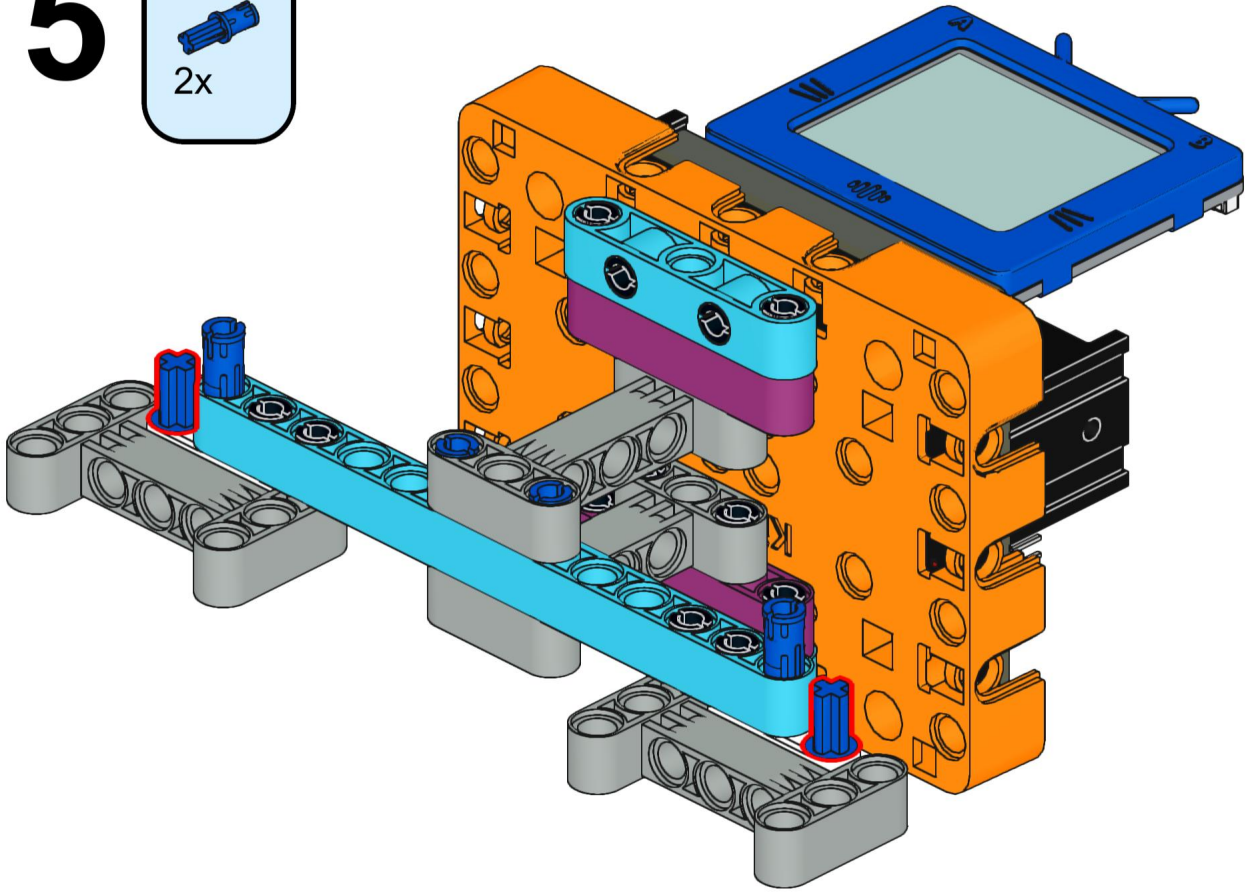


# 14

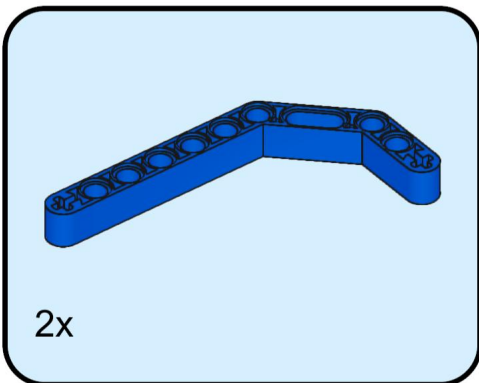
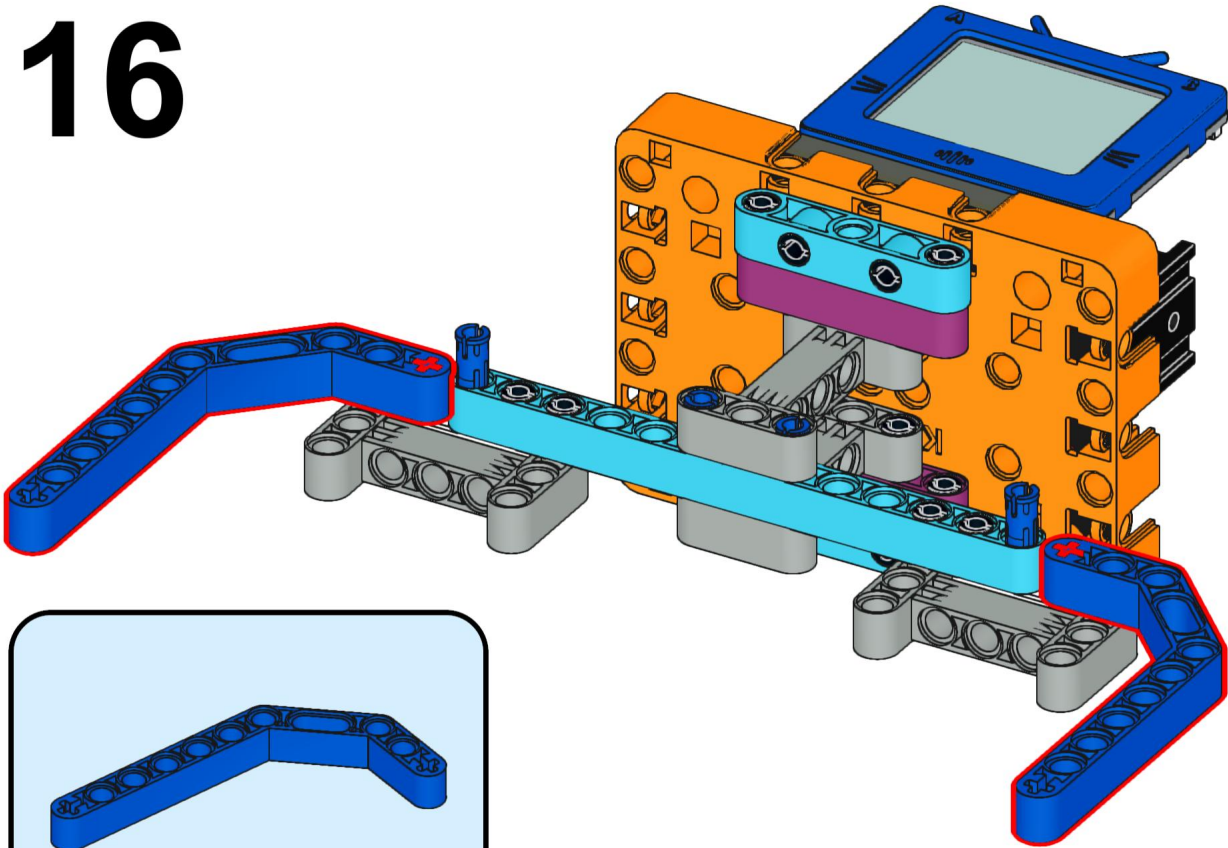




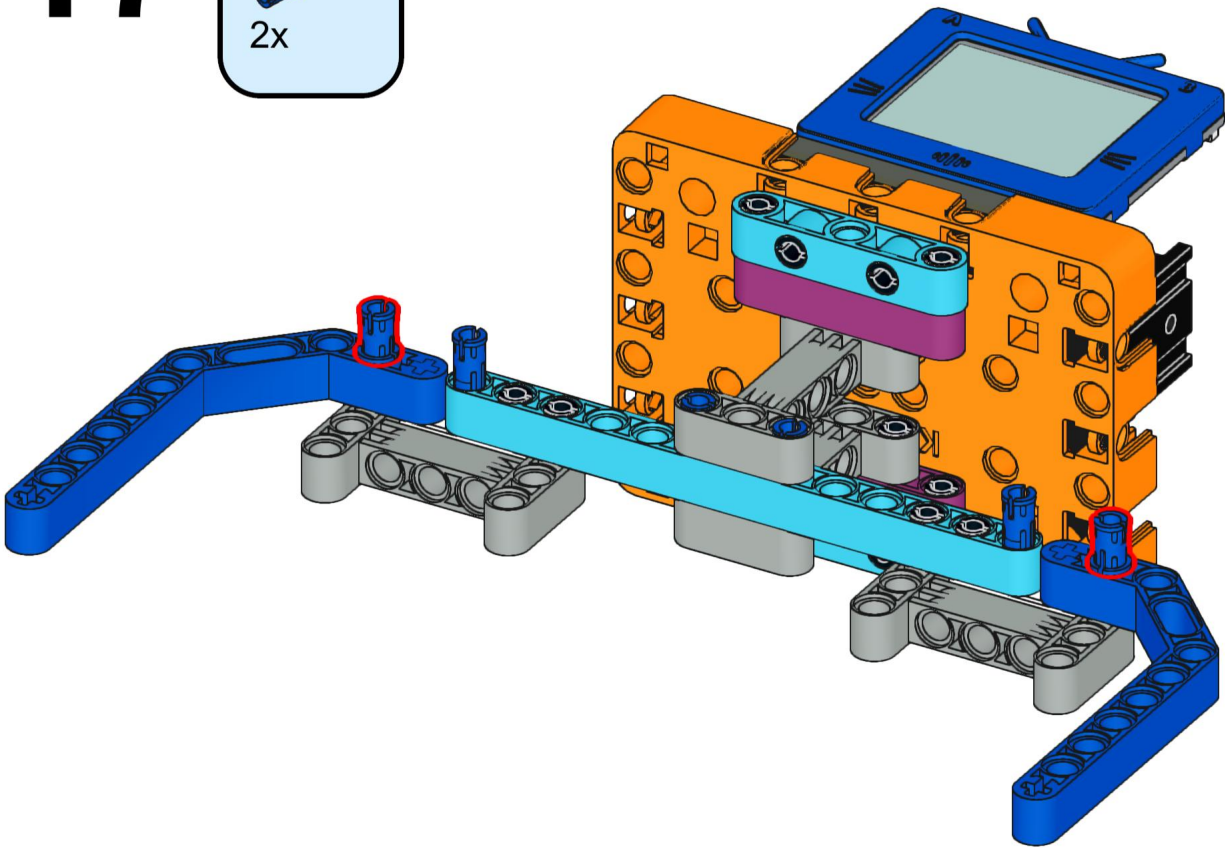
# 15



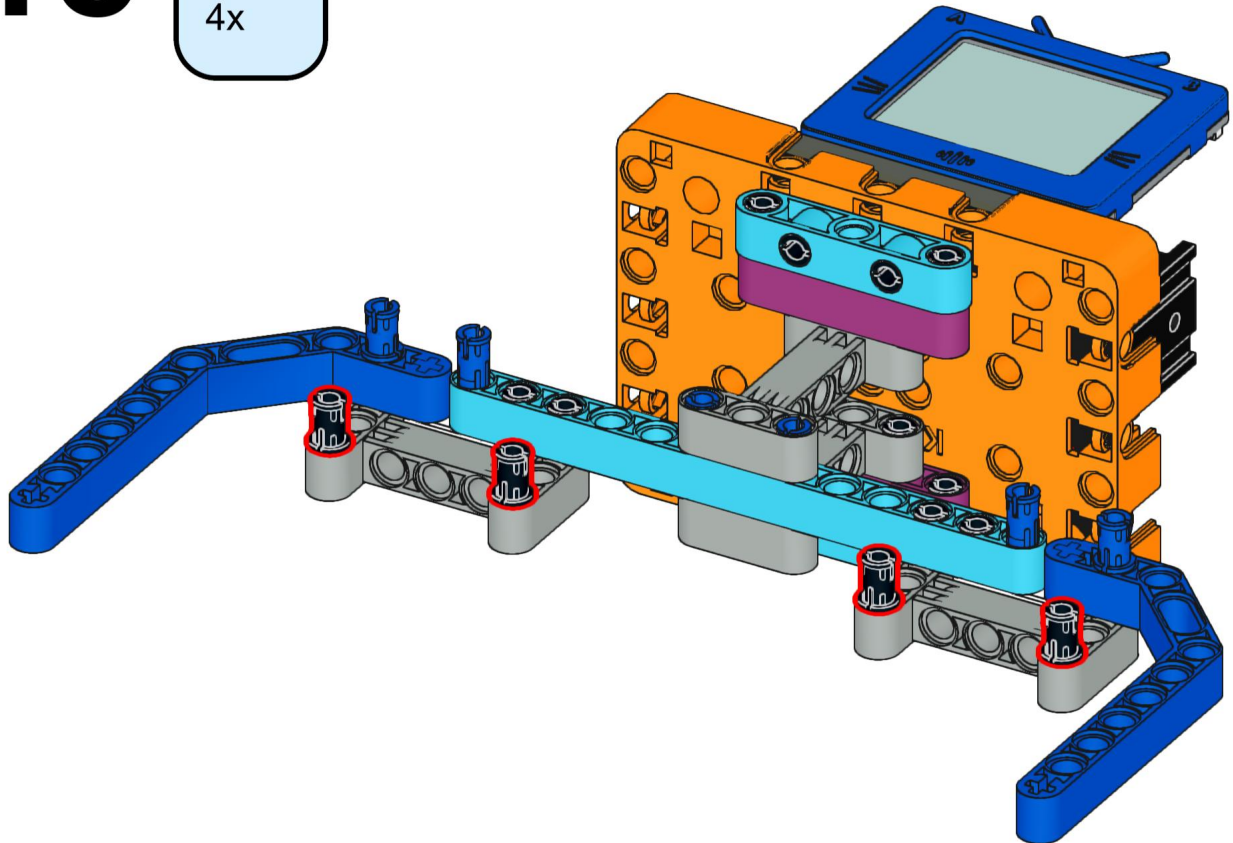
# 16



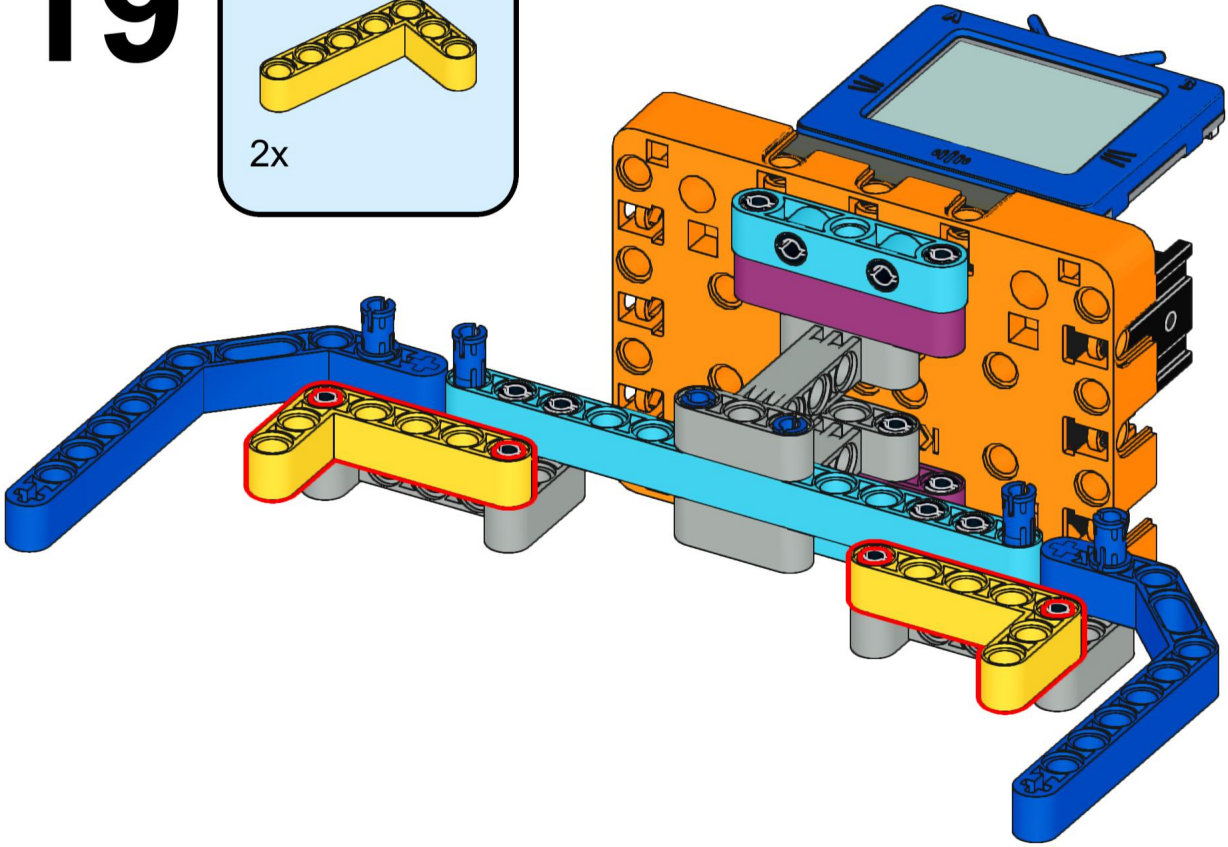
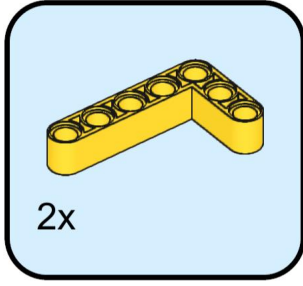
# 17



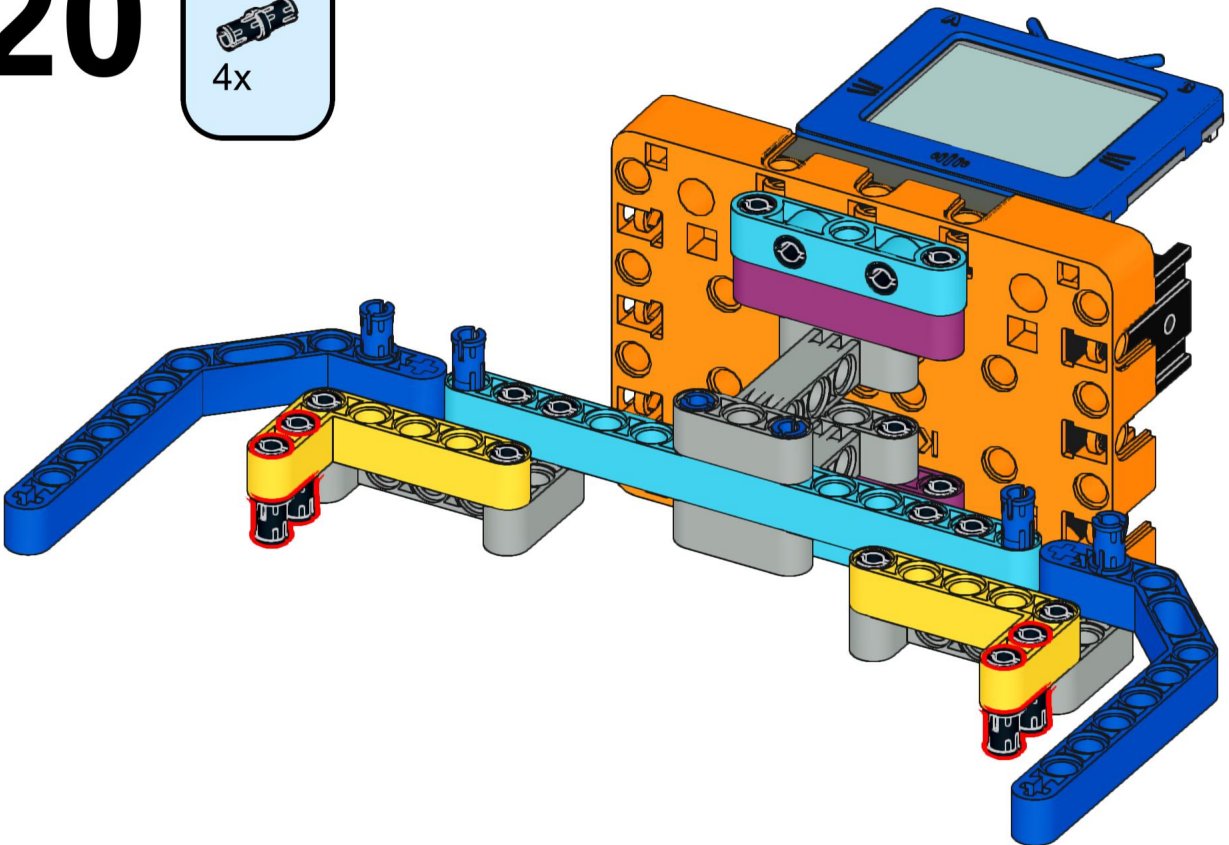
# 18



# 19

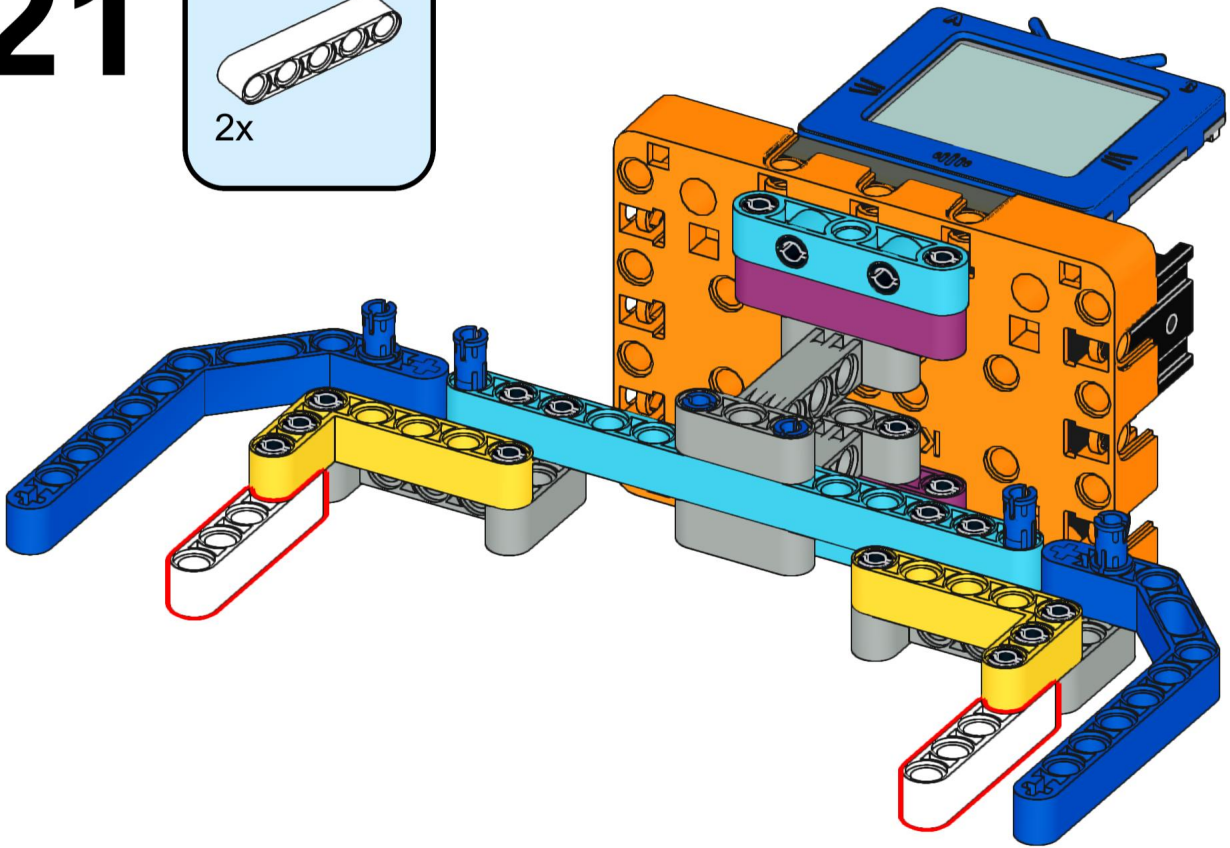
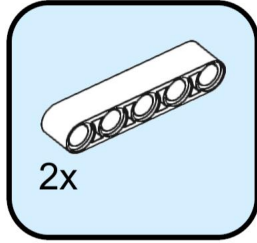


# 20

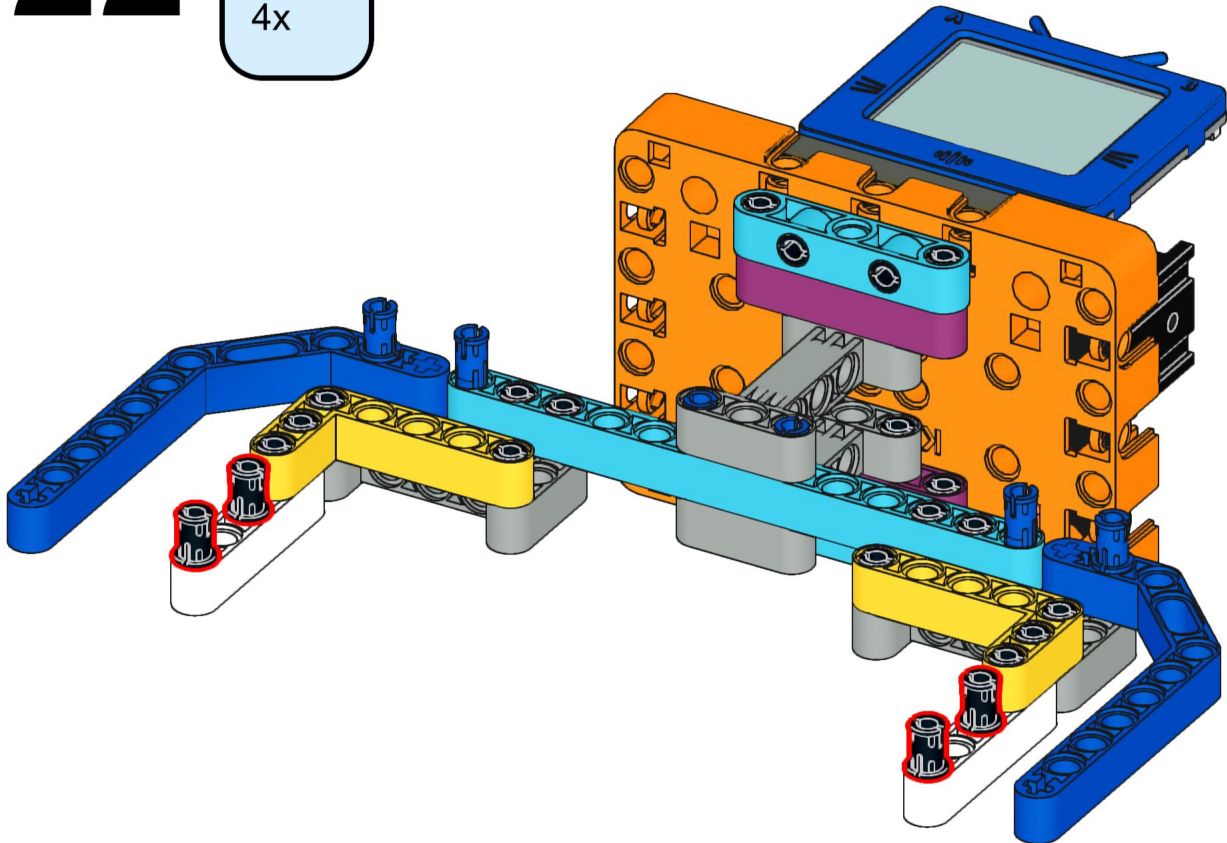




# 21

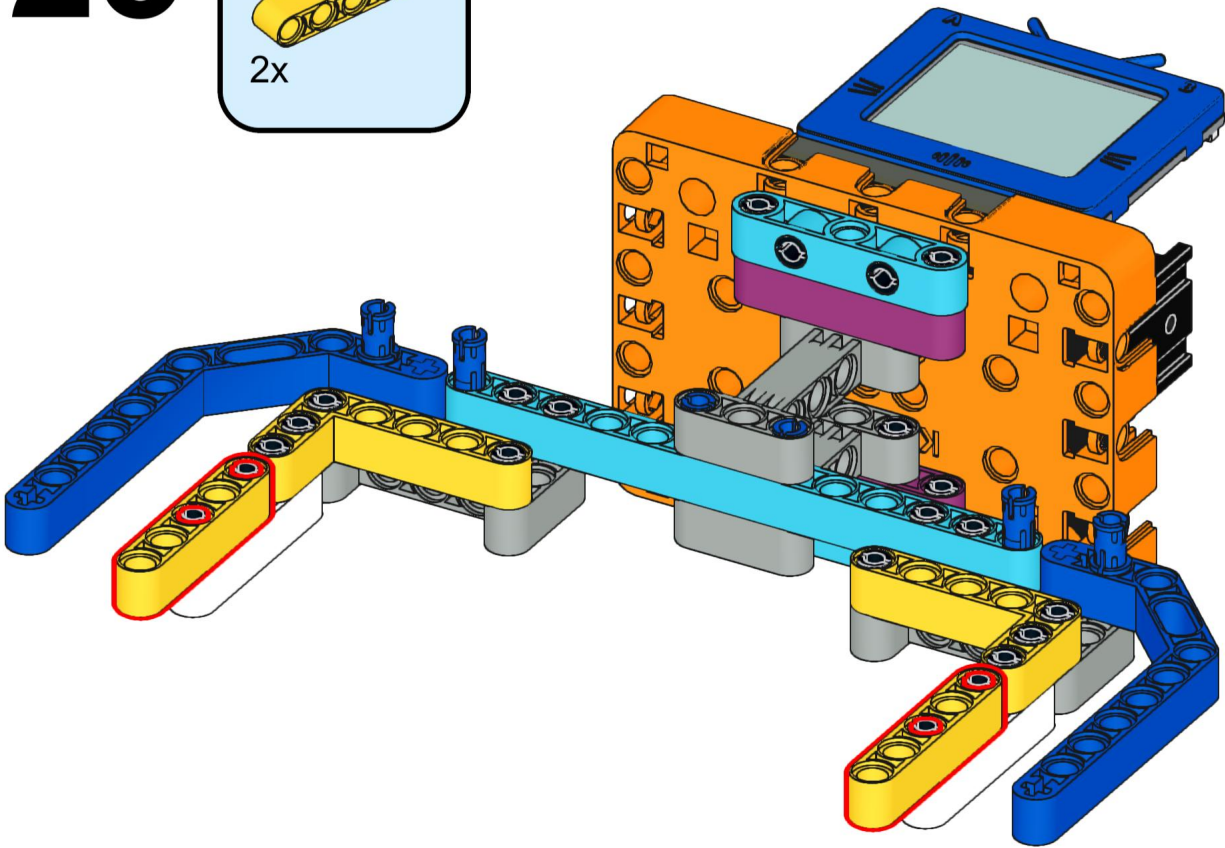
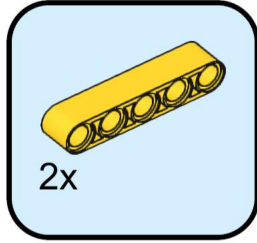


# 22

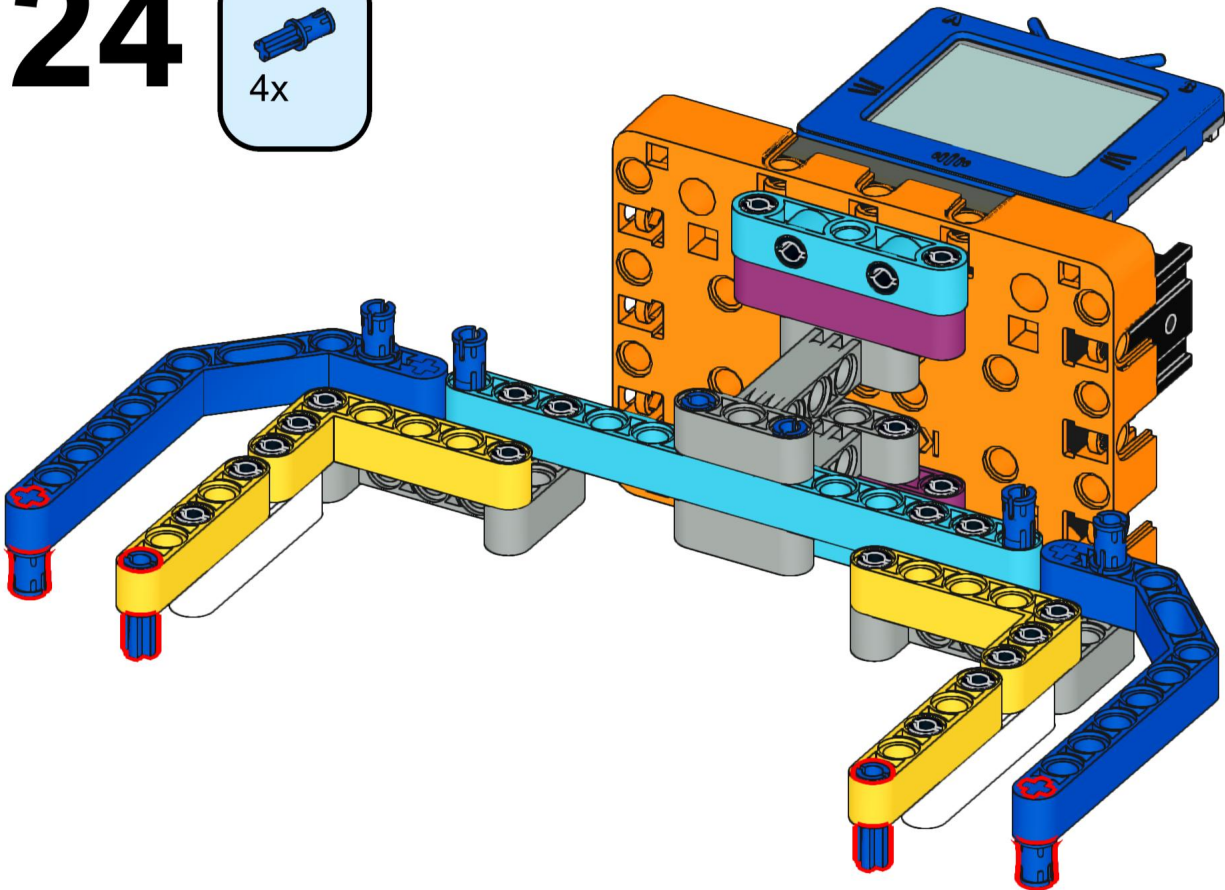




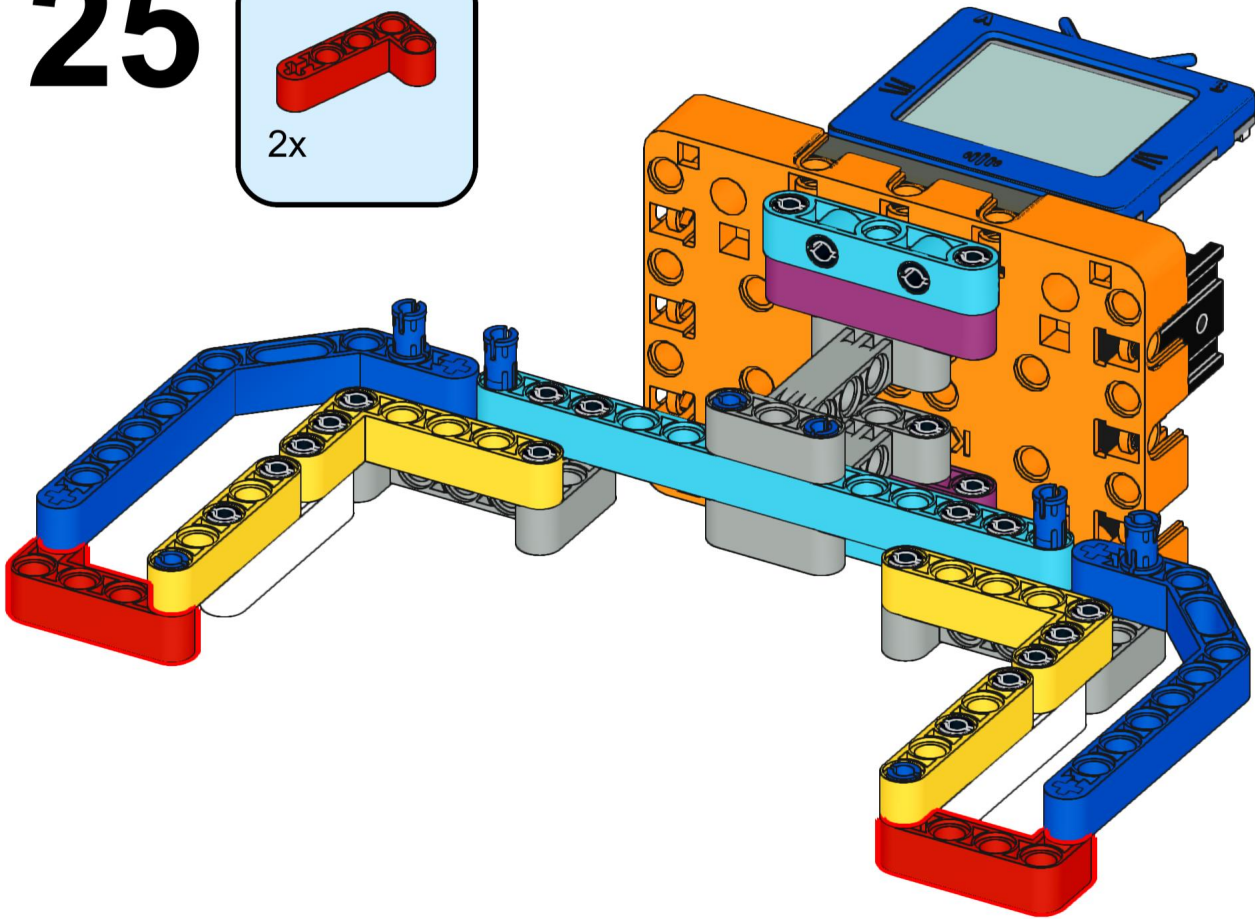
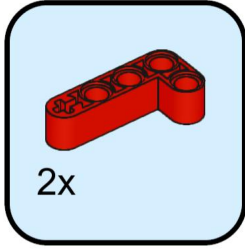
# 23



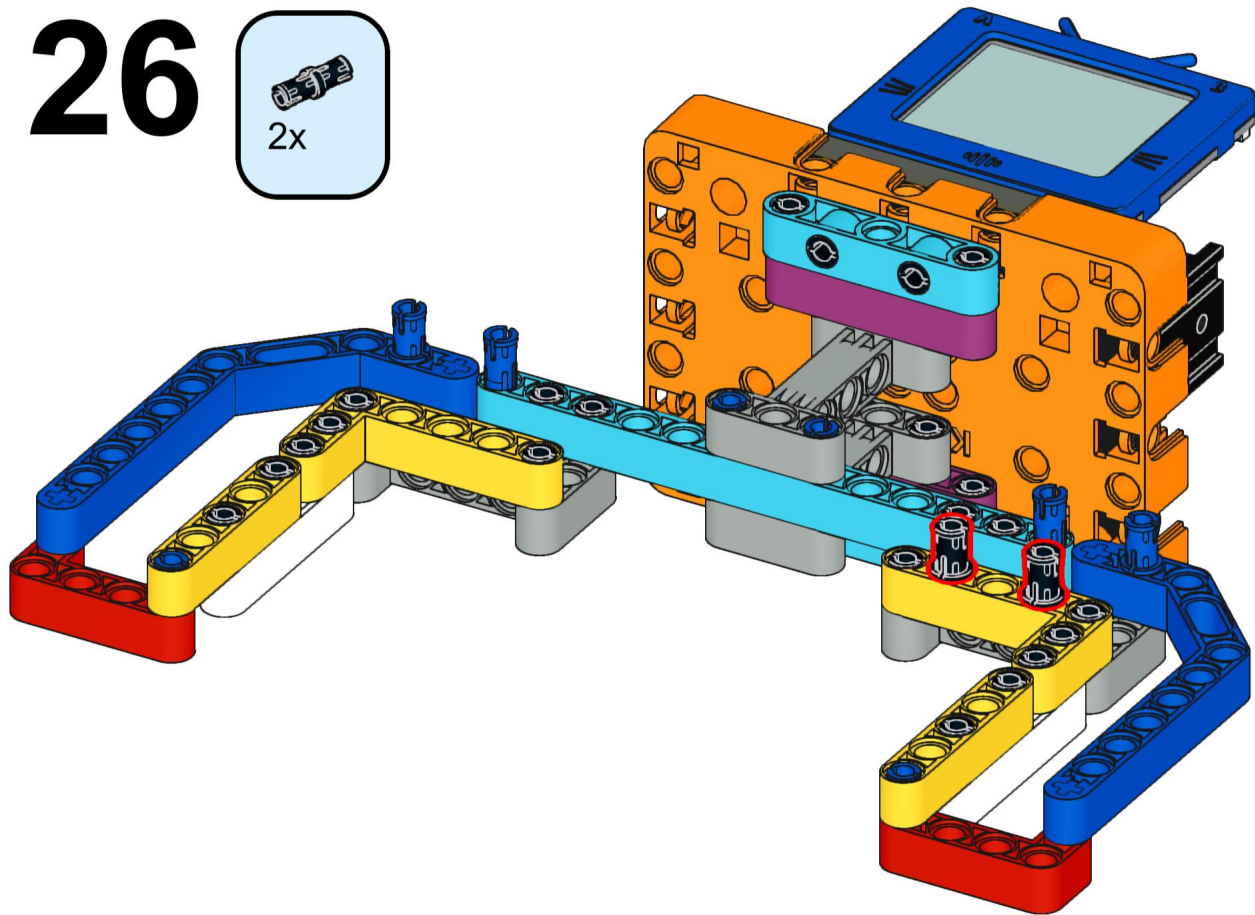
# 24



# 25

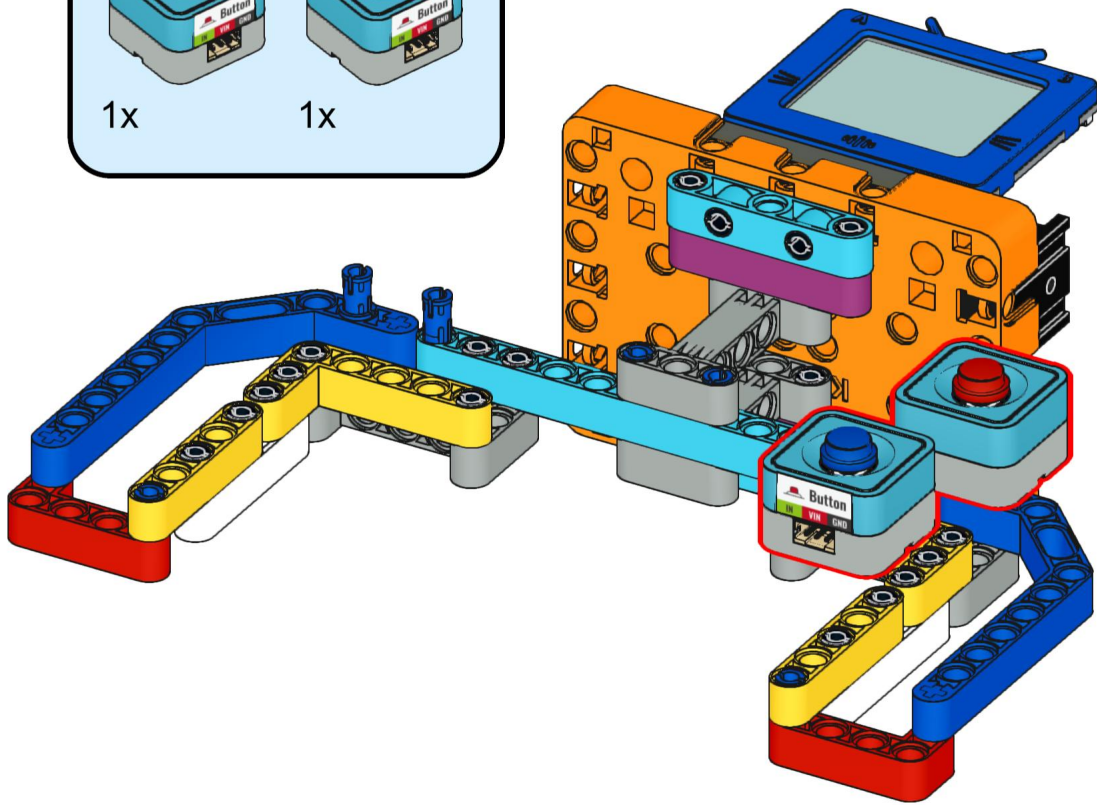
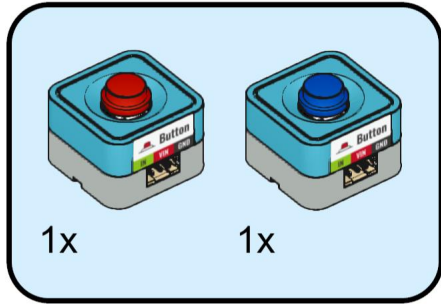


# 26





# 27



# 28

