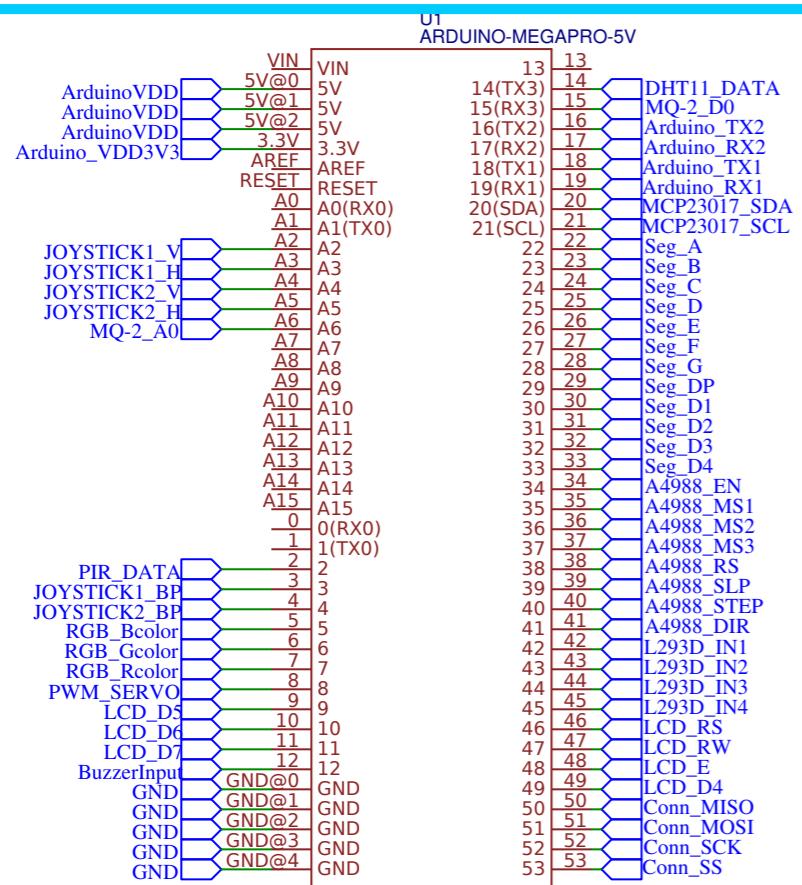
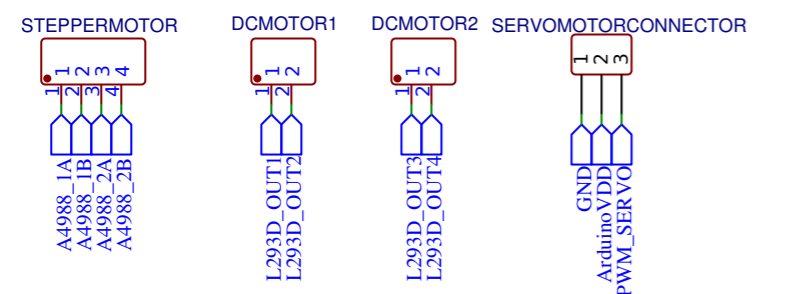
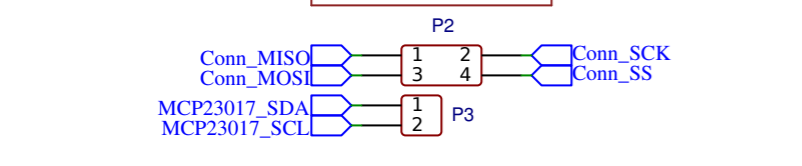


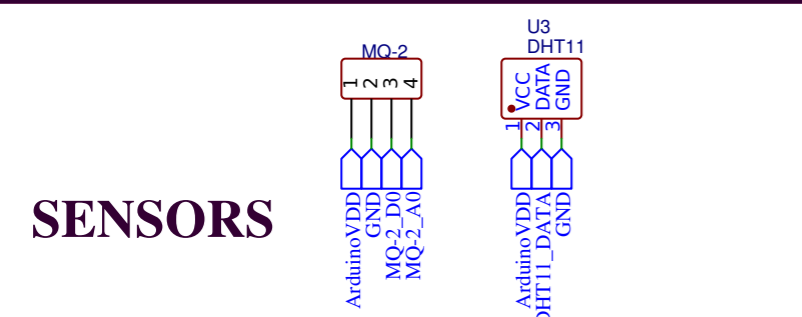
ARDUINO TRAINING PLATFORM



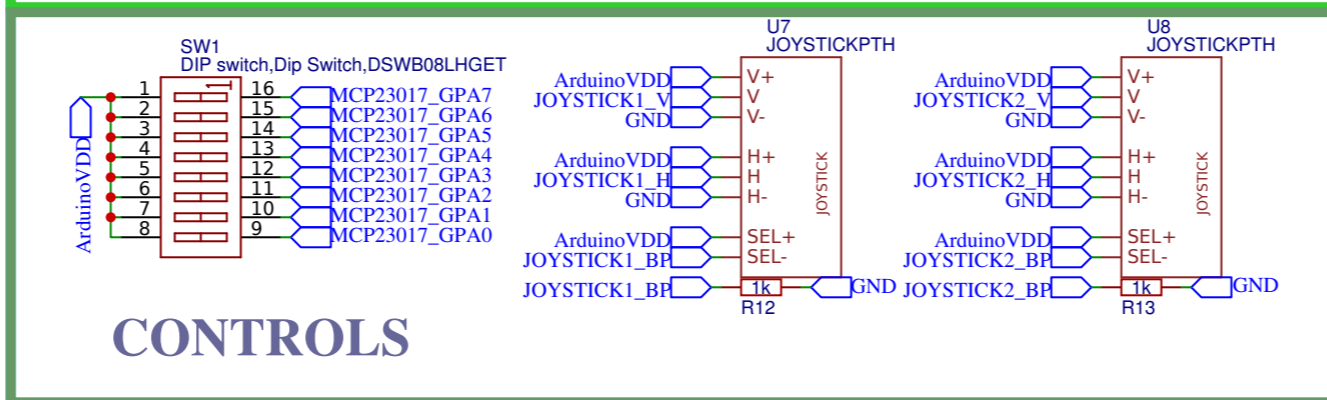
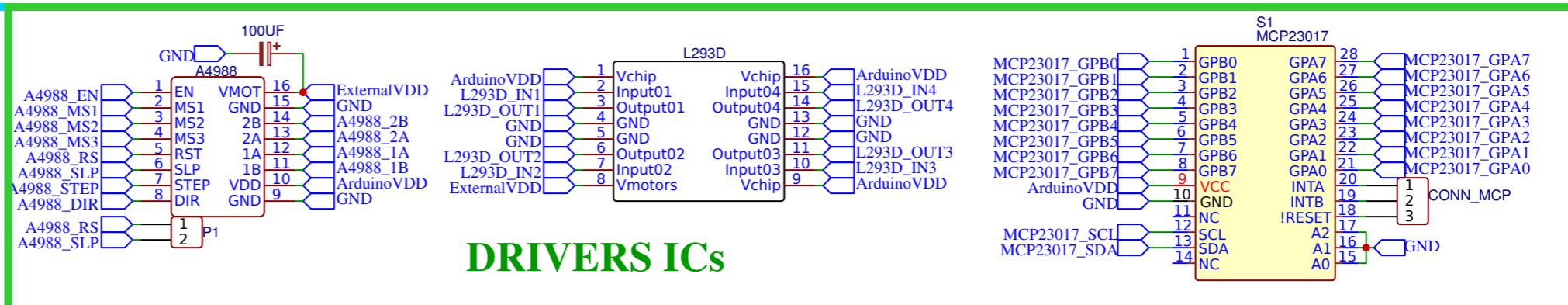
MICROCONTROLLER



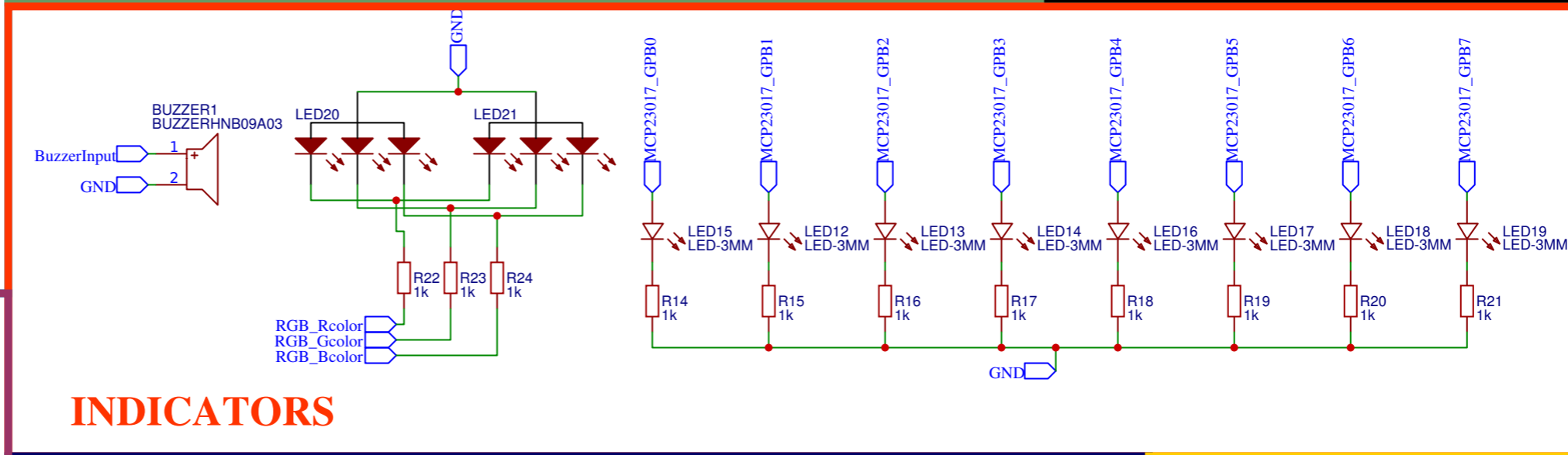
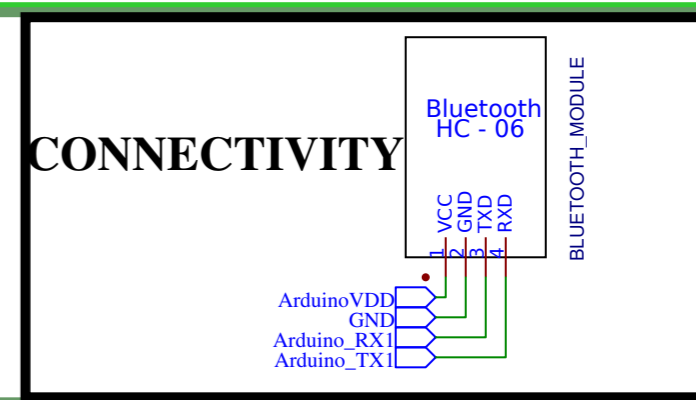
ACTUATORS



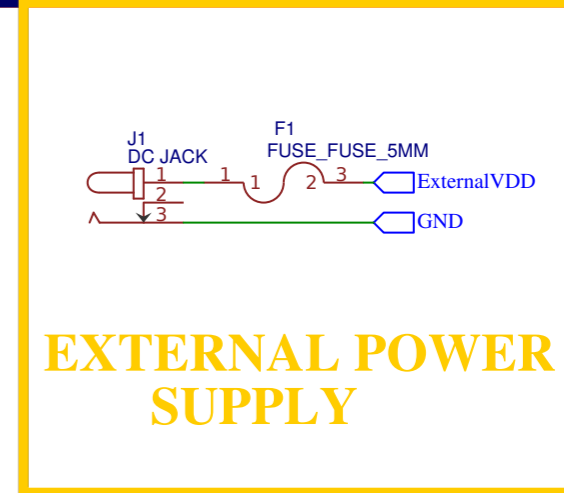
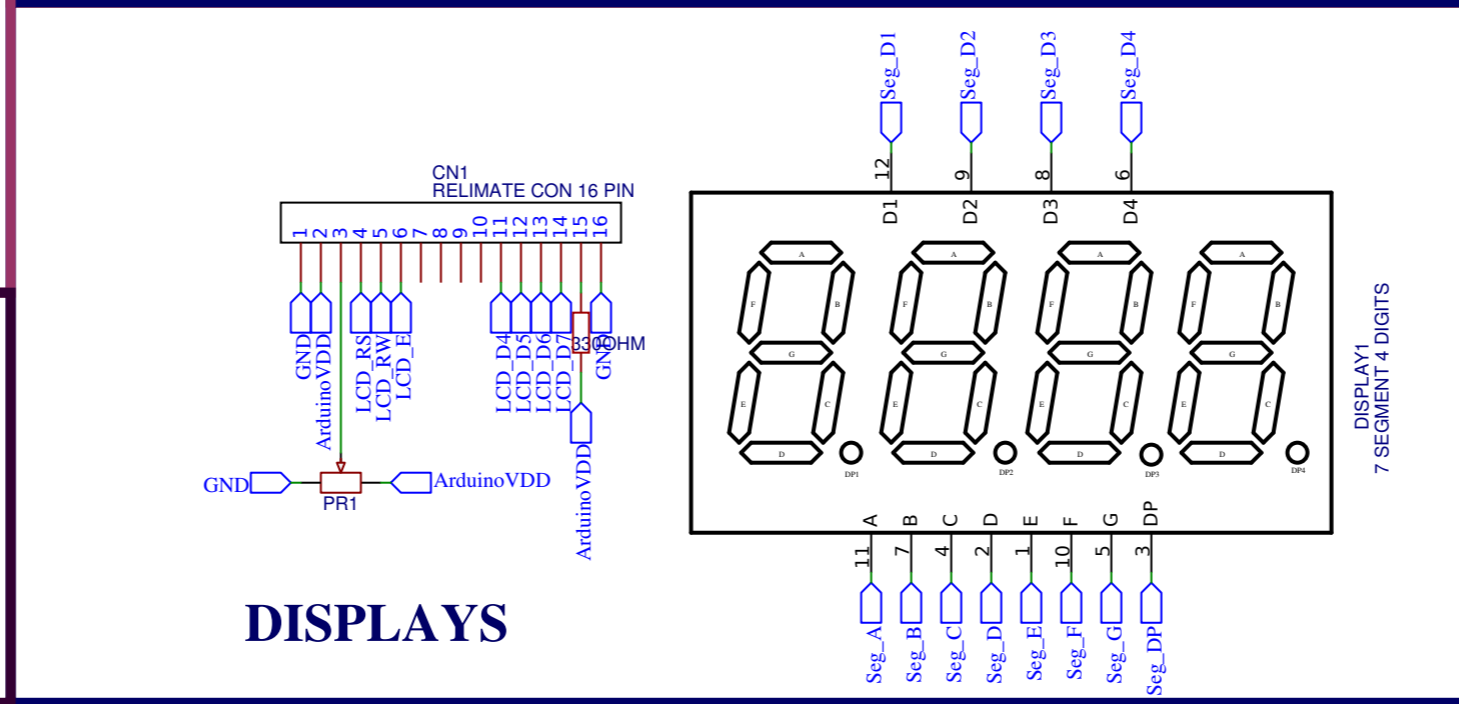
SENSORS



CONTROLS



INDICATORS



| | | |
|---------------------------|------------------|----------|
| TITLE: Arduino test Bench | | REV: 1.0 |
| Date: 2018-05-20 | Sheet: 1/1 | |
| EASYEDA V5.5.12 | Drawn By: BEE_MB | |