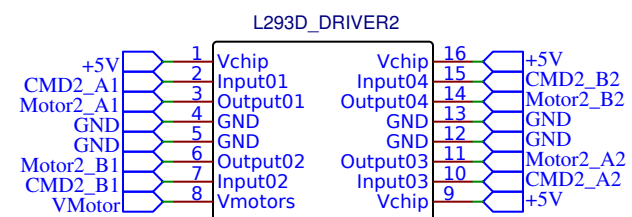
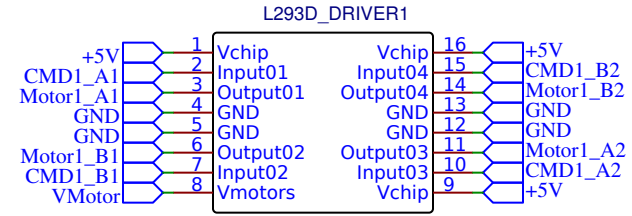
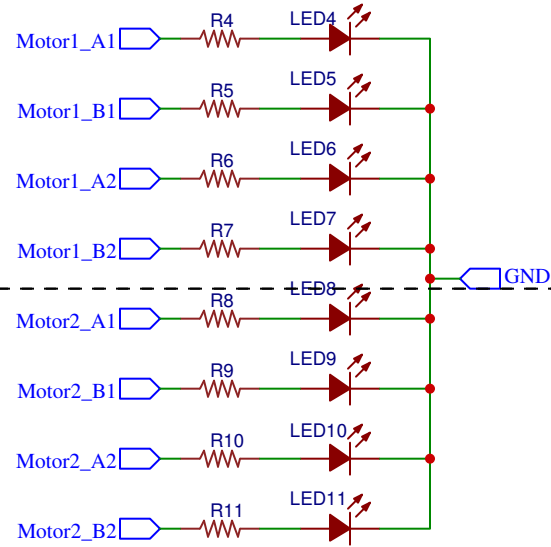


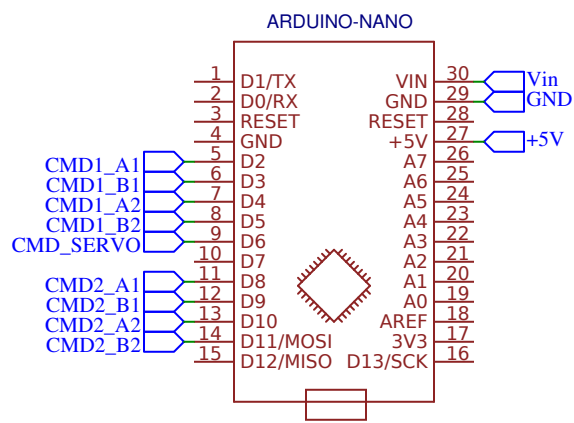
INDICATORS & MOTOR DRIVERS

FIRST
STEPPER MOTOR
FOR X-AXIS

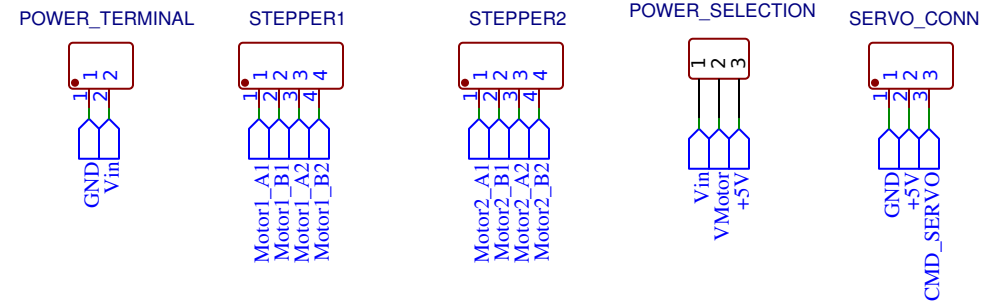
SECOND
STEPPER MOTOR
FOR Y-AXIS



CONTROL UNIT



TERMINALS & CONNECTORS



TITLE: CNC PLOTTER		REV: 1.0
Date: 2018-05-12	Sheet: 1/1	
EasyEDA V5.5.11	Drawn By: BEE_MB	