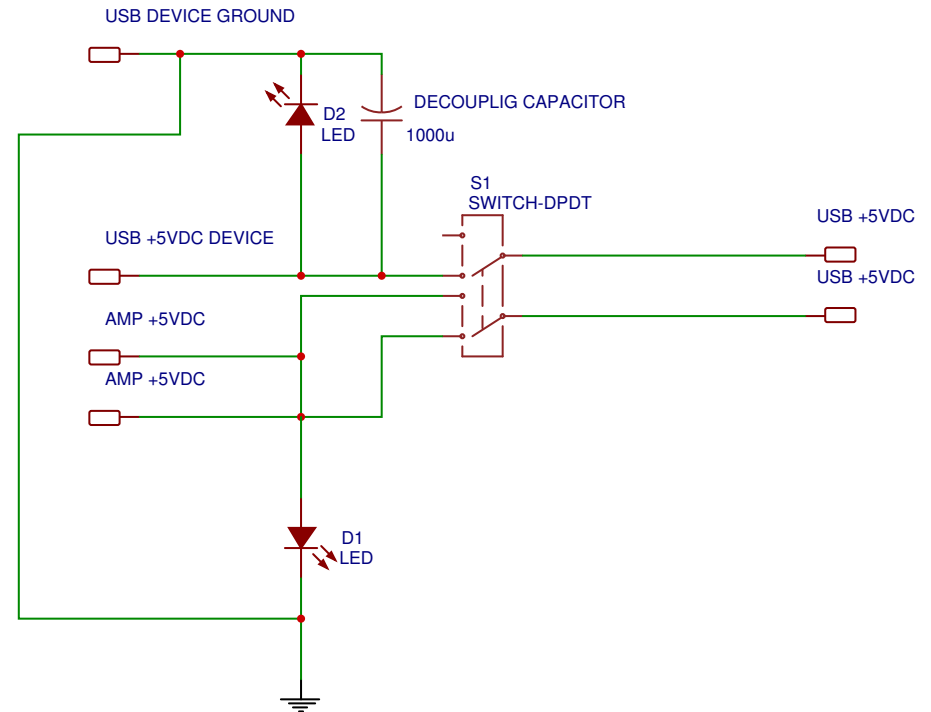


The Junkbots' Sound System has two power switching modes using a 3 position DPDT toggle switch:
 Position 1: Speakers, Amp and Internal Device, ON
 Center: OFF
 Position 2: Speakers and Amp, ON (Mode used when using an external device and save power drained by the internal device)



TITLE: The Junkbots' Sound System Power and I/O Wiring Diagram		REV: 1.0
Date: 2016-11-15	Sheet: 1/1	
EasyEDA V3.11.3	Drawn By: Andy_fuentes22	