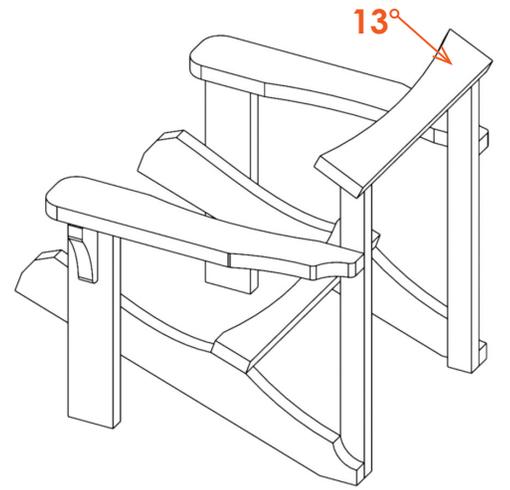
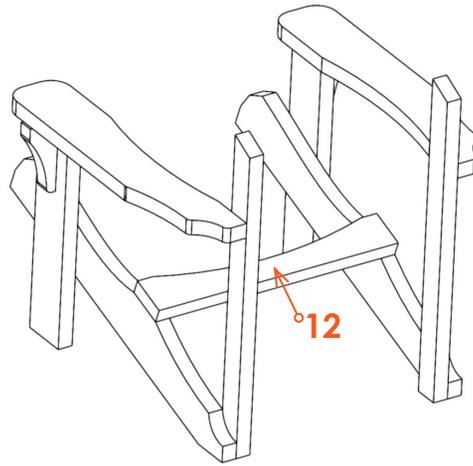
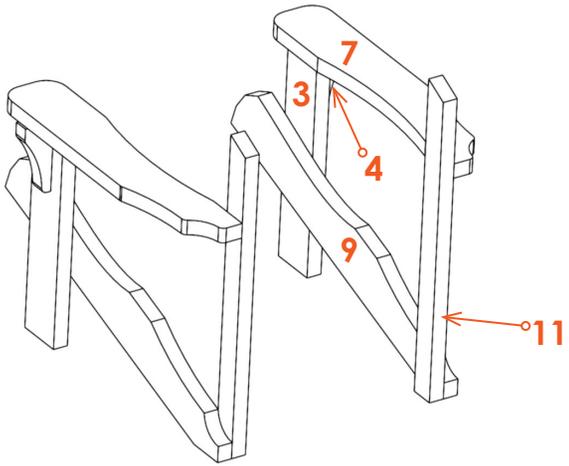
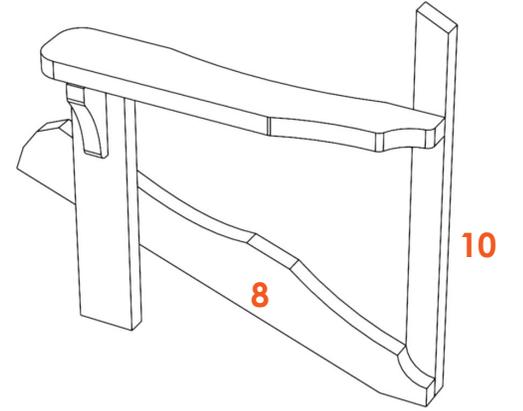
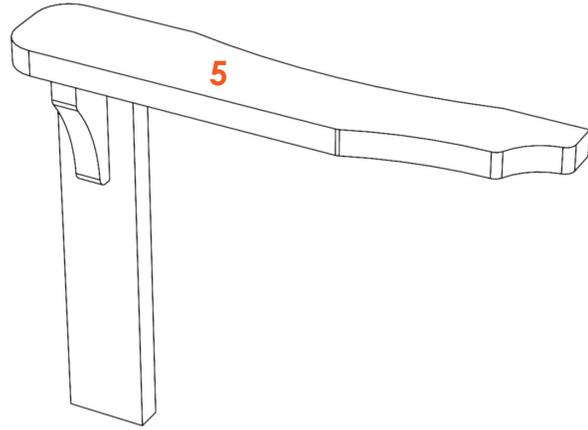
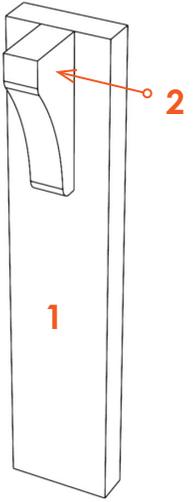


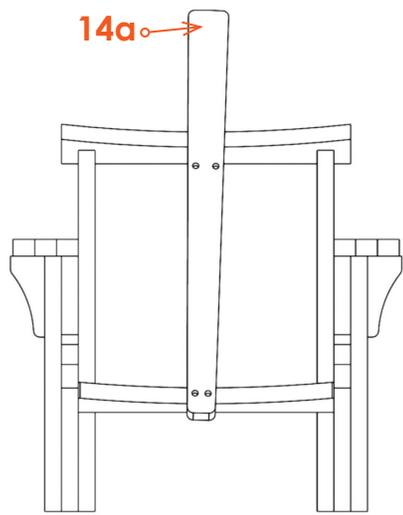
Chair 1

Chair 2

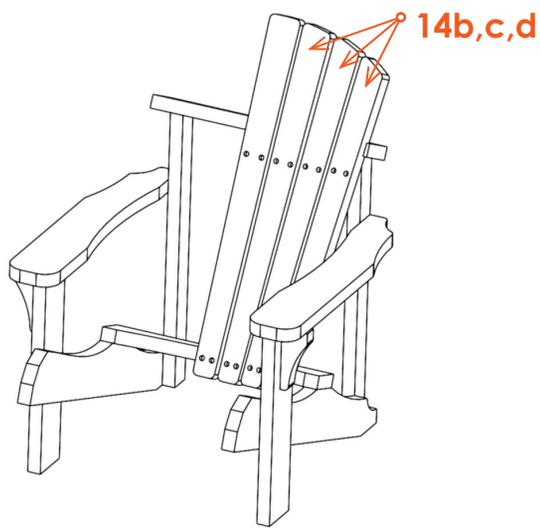


Use the following pages to construct your two(2) bamboo Adirondack chairs. Lightly sand with 400 grit sandpaper after removing from waste material to make smooth surface. Wood glue is preferred, but any glue will work. Allow glue to stiffen or dry before proceeding onto the next step.

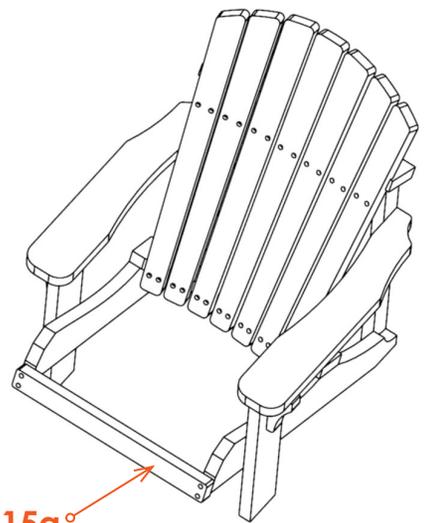
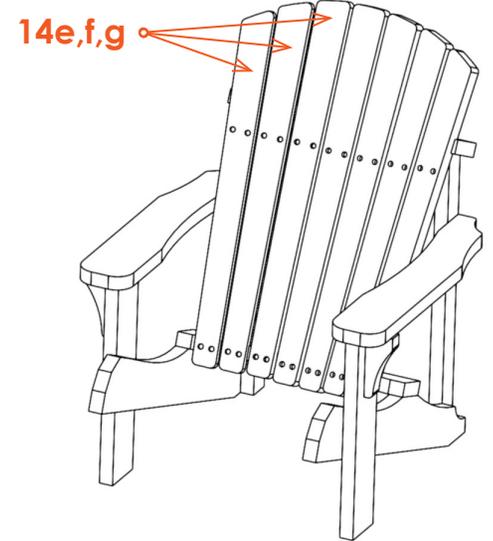




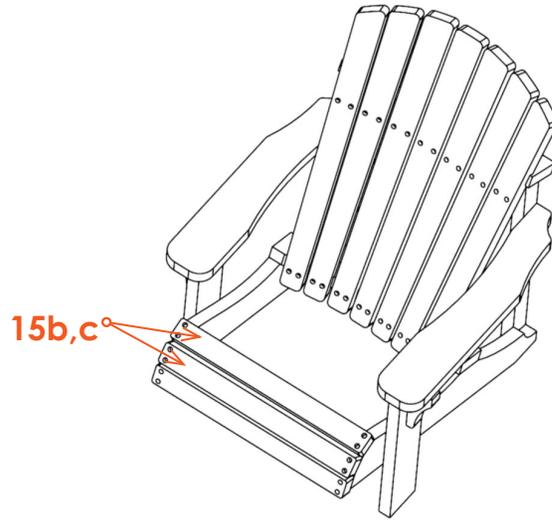
align center back slat with middle of chair



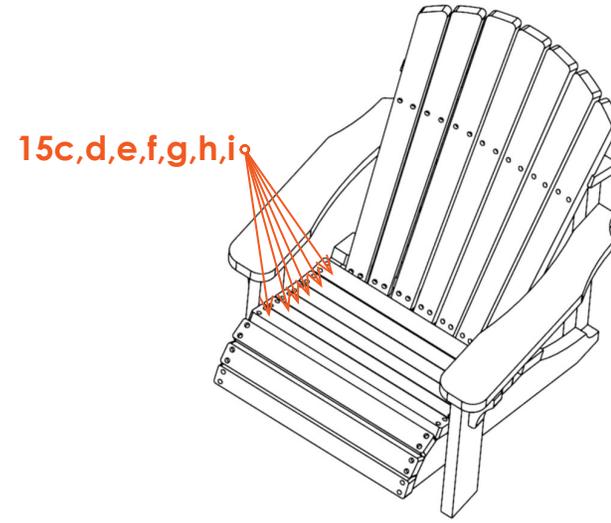
work from middle outwards and space each slat evenly



glue seat slat onto front of chair



glue next two seat slats onto precut ridges on front edge of chair



glue last 7 slats on curvature of seat, spacing them evenly

