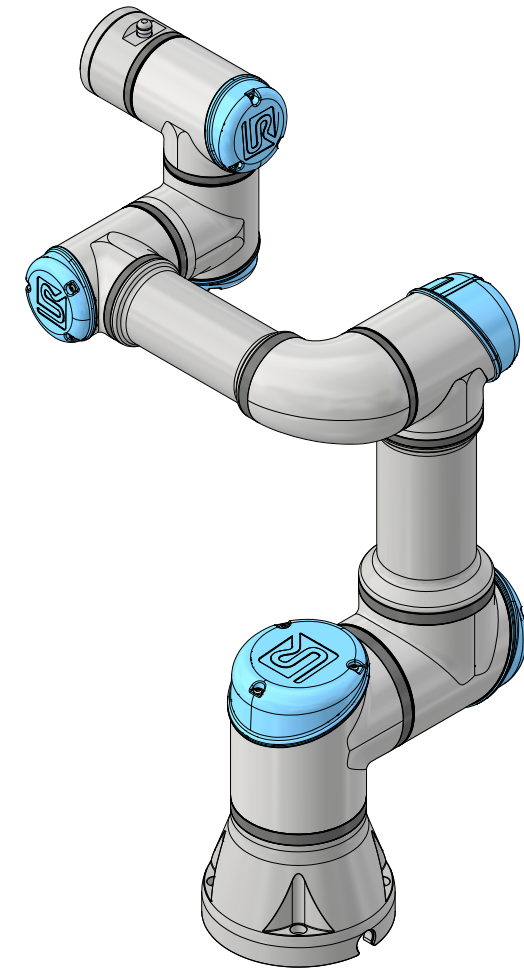
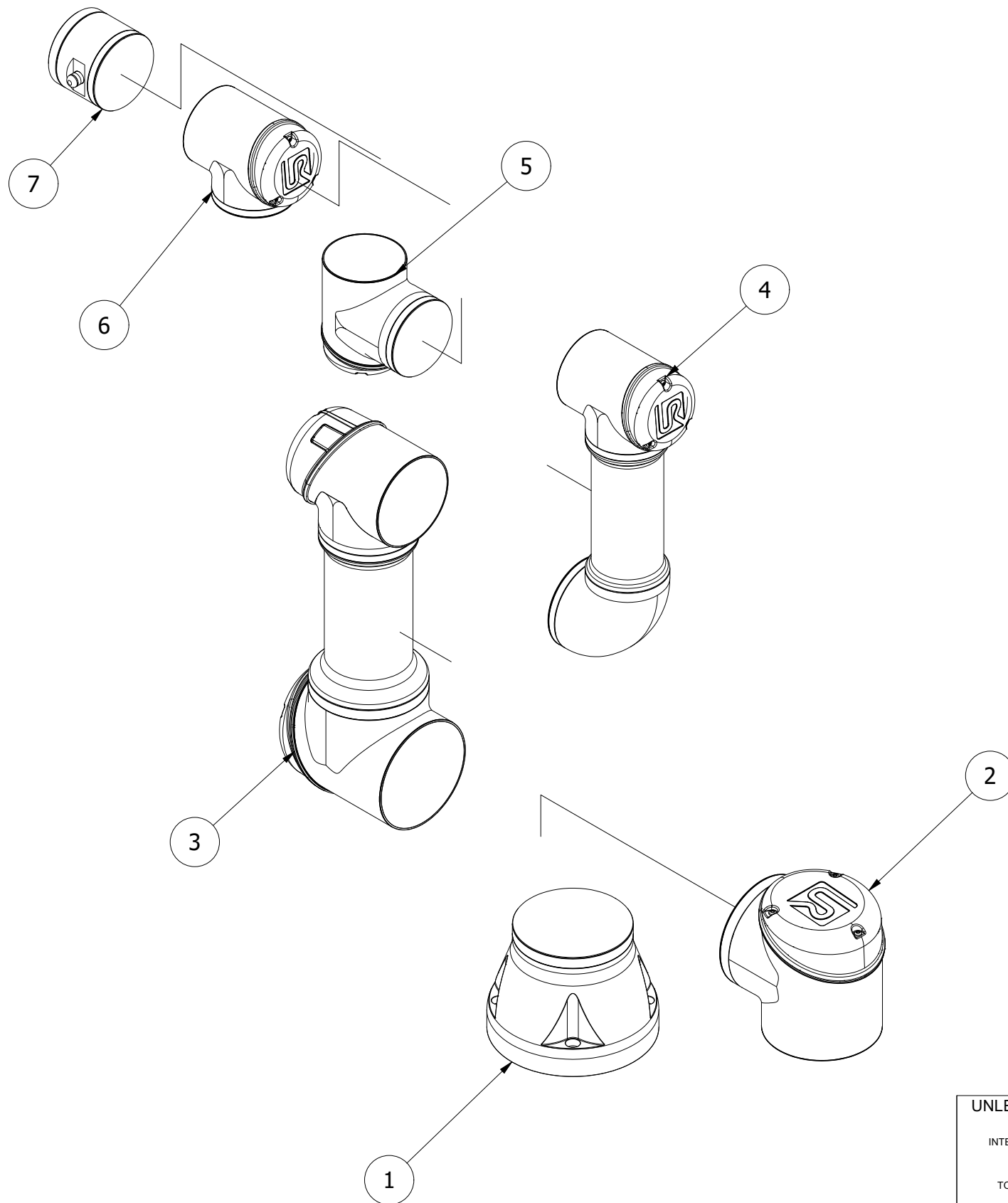


ALL UNSPECIFIED FILLETS TO BE
 ALL UNSPECIFIED RADII TO BE

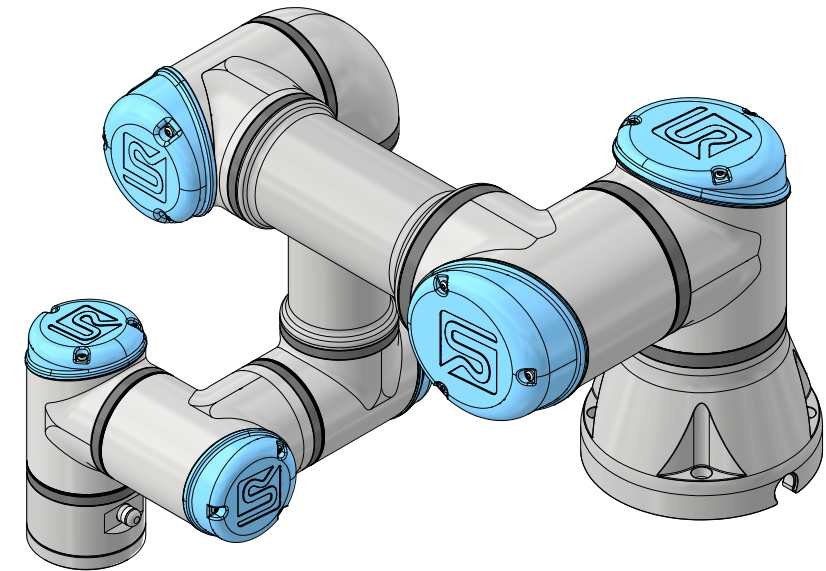
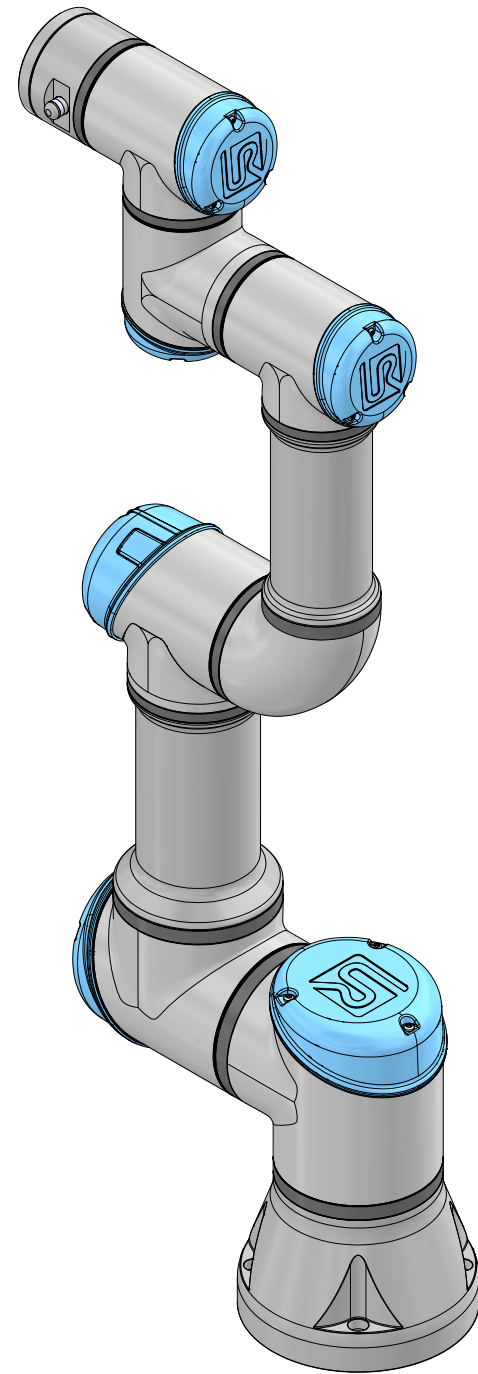
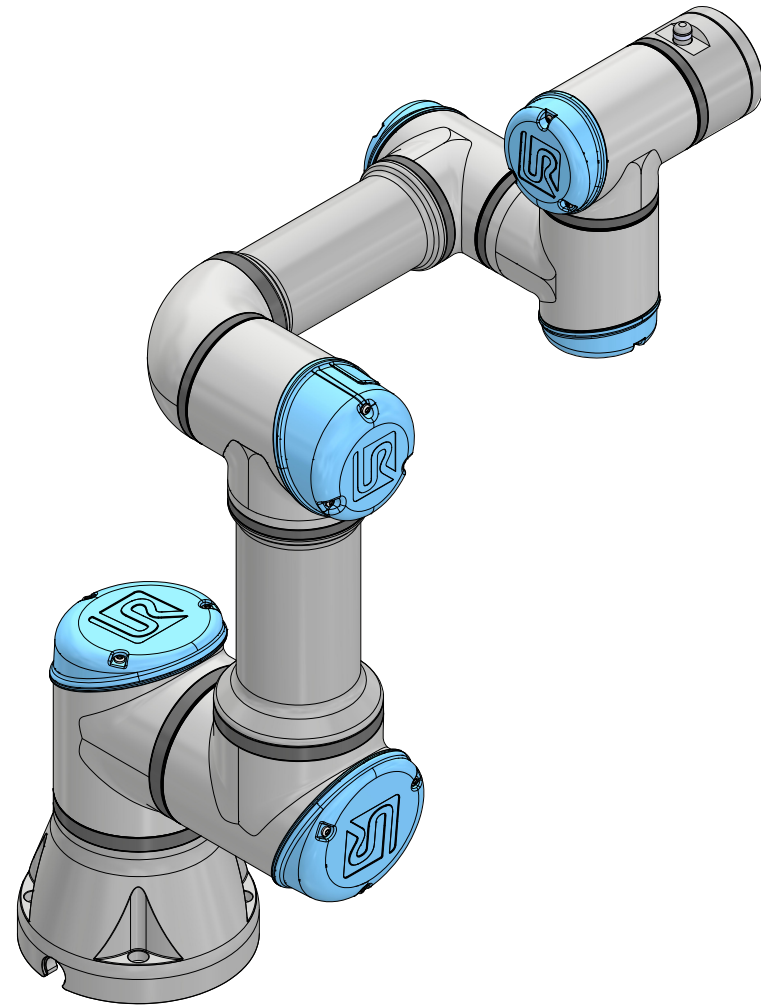
UNLESS OTHERWISE SPECIFIED DO NOT SCALE DRAWING INTERPRET DIMENSIONS AND TOLERANCES PER ASME Y14.5M-1994 DIMENSIONS ARE IN MILLIMETERS TOLERANCES APPLY AS SHOWN BELOW		PROPRIETARY NO PART OF THIS DOCUMENT MAY BE REPRODUCED, STORED IN A RETRIEVAL SYSTEM, OR TRANSMITTED IN ANY FORM, WITHOUT THE WRITTEN PERMISSION OF Skills Ontario		TITLE MECHANICAL CAD	
1 PL DEC ± 0.5 2 PL DEC ± 0.2 3 PL DEC ± 0.1 4 PL DEC ± 0.05 ANGLES ± .1° SURFACE ROUGHNESS 1.5 μ		CUSTOMER		BASE VIEW AND ANNOTATION GUIDE	
THIRD ANGLE PROJECTION		PROJECT		DRAWING NO	
DRAWN BY		DATE		SIZE B	
CHECKED BY		DATE		DRAWING NO	
APPROVED		DATE		SCALE	
				WEIGHT lbs	
				SHEET OF	



PARTS LIST			
ITEM	QTY	PART NUMBER	DESCRIPTION
1	1		BASE
2	1		BASE JOINT
3	1		SHOULDER
4	1		ELBOW
5	1		WRIST 1
6	1		WRIST 2
7	1		WRIST 3

<p>UNLESS OTHERWISE SPECIFIED</p> <p>DO NOT SCALE DRAWING</p> <p>INTERPRET DIMENSIONS AND TOLERANCES PER ASME Y14.5M-1994</p> <p>DIMENSIONS ARE IN MILLIMETERS</p> <p>TOLERANCES APPLY AS SHOWN BELOW</p> <p>1 PL DEC ± 0.5</p> <p>2 PL DEC ± 0.2</p> <p>3 PL DEC ± 0.1</p> <p>4 PL DEC ± 0.05</p> <p>ANGLES ± .1°</p> <p>SURFACE ROUGHNESS 1.5 μ</p>		<p>PROPRIETARY</p> <p>NO PART OF THIS DOCUMENT MAY BE REPRODUCED, STORED IN A RETRIEVAL SYSTEM, OR TRANSMITTED IN ANY FORM, WITHOUT THE WRITTEN PERMISSION OF Skills Ontario</p>		<h1>MECHANICAL CAD</h1>	
<p>THIRD ANGLE PROJECTION</p>		<p>CUSTOMER</p> <p>PROJECT</p>		<p>TITLE</p> <h2>ROBOT EXPLODED VIEW VIEW AND ANNOTATION GUIDE</h2>	
<p>DRAWN BY</p> <p>CHECKED BY</p> <p>APPROVED</p>	<p>DATE</p> <p>DATE</p> <p>DATE</p>	<p>SIZE</p> <p>B</p> <p>SCALE</p>	<p>DRAWING NO</p> <p>WEIGHT lbs</p>	<p>REVISION</p> <p>■</p>	<p>SHEET OF</p>

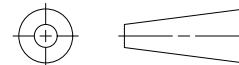
ALL POSITIONS ARE IN 90 DEGREE INCREMENTS
YOUR POSITIONS MUST MATCH THE POSITIONS SHOWN



UNLESS OTHERWISE SPECIFIED
DO NOT SCALE DRAWING
INTERPRET DIMENSIONS AND TOLERANCES
PER ASME Y14.5M-1994
DIMENSIONS ARE IN MILLIMETERS
TOLERANCES APPLY AS SHOWN BELOW

1 PL DEC	± 0.5
2 PL DEC	± 0.2
3 PL DEC	± 0.1
4 PL DEC	± 0.05
ANGLES	± .1°
SURFACE ROUGHNESS	1.5 μ

THIRD ANGLE PROJECTION



PROPRIETARY
NO PART OF THIS DOCUMENT MAY BE REPRODUCED,
STORED IN A RETRIEVAL SYSTEM, OR TRANSMITTED IN
ANY FORM, WITHOUT THE WRITTEN PERMISSION OF
Skills Ontario

CUSTOMER

PROJECT

DRAWN BY

DATE

CHECKED BY

DATE

APPROVED

DATE

MECHANICAL CAD

ROBOT ASSEMBLY POSITIONS
VIEW AND ANNOTATION GUIDE

SIZE

B

SCALE

DRAWING NO

WEIGHT

lbs

REVISION

■

SHEET OF