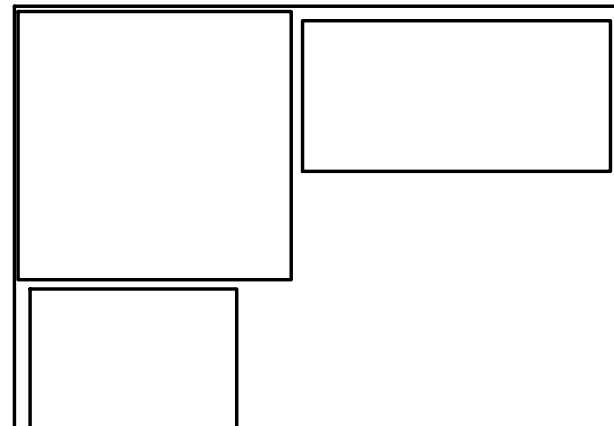
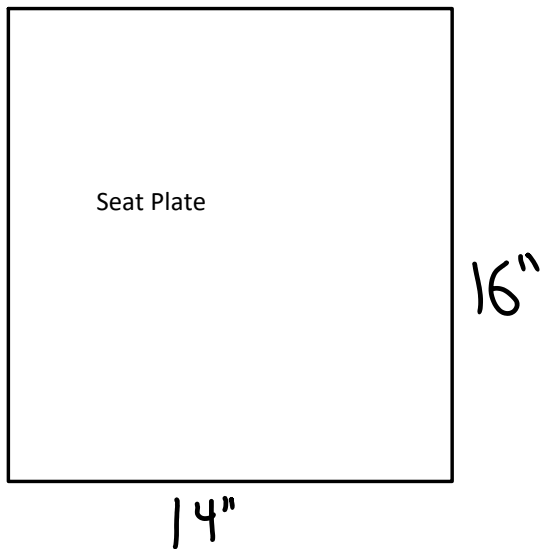
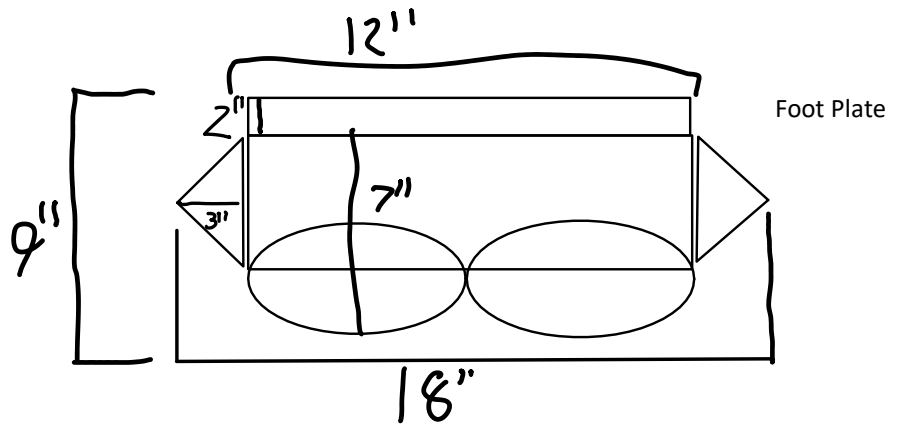


Laser bed is 39 \* 28  
Draw it up in cad, export to .dxf file to send to laser cutter



1 .

