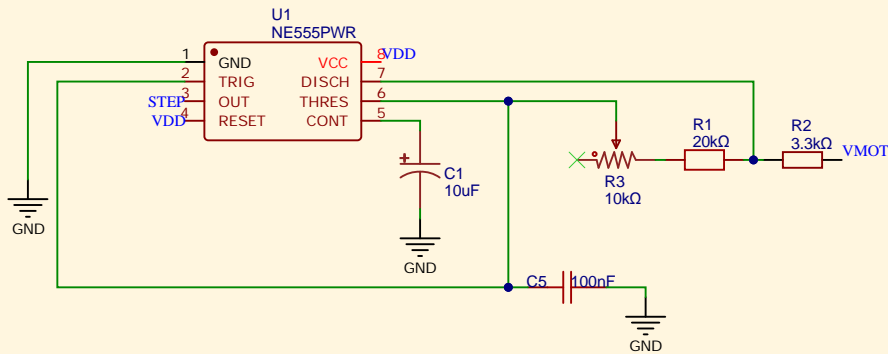


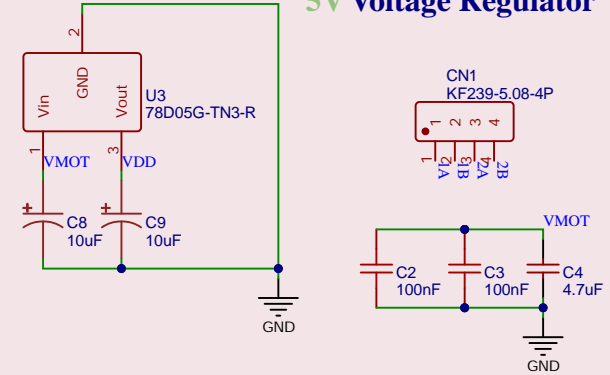


# Stepper Motor Shield

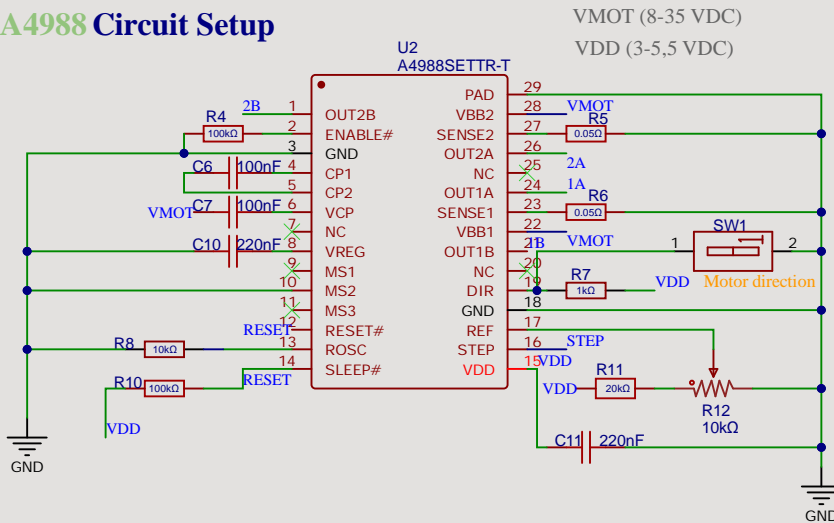
## NE555 Circuit Setup



## 5V Voltage Regulator



## A4988 Circuit Setup



## INPUT Power Supply

