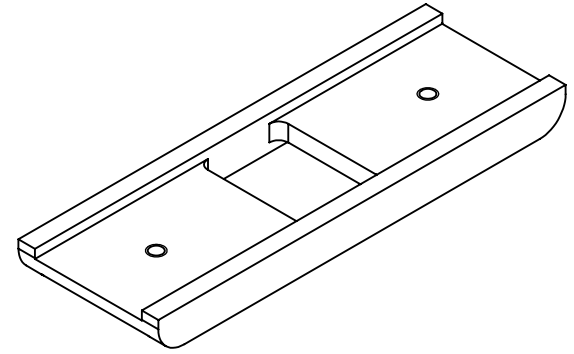
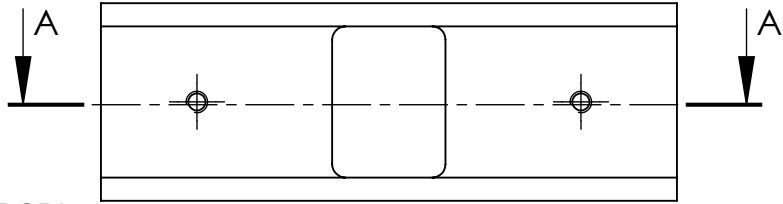
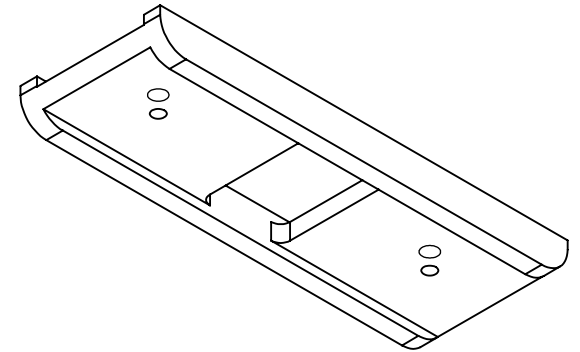
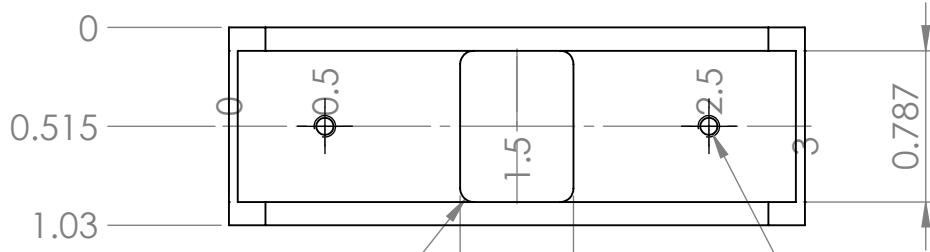
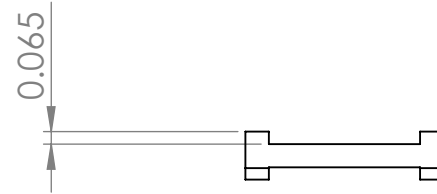
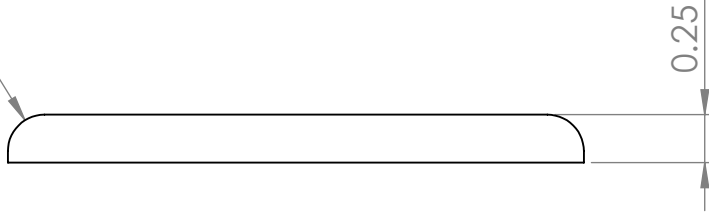


SECTION A-A



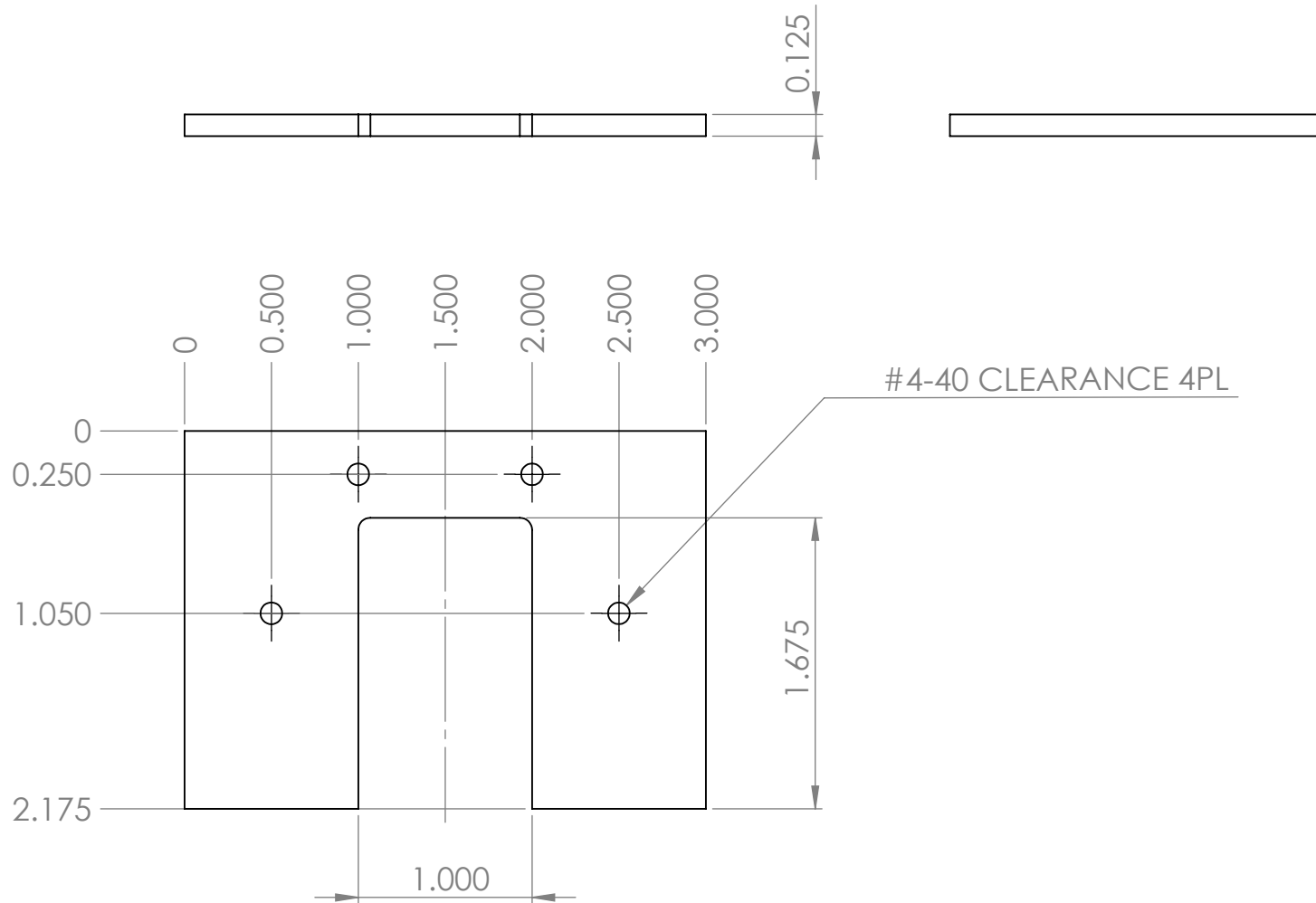
R0.19 FILLET 2PL



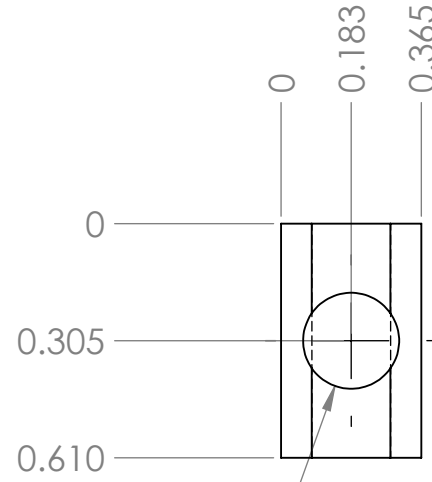
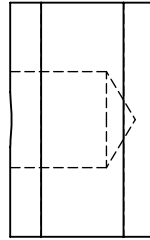
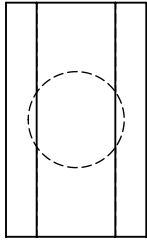
R0.07 FILLET 4PL

#4-40 2PL

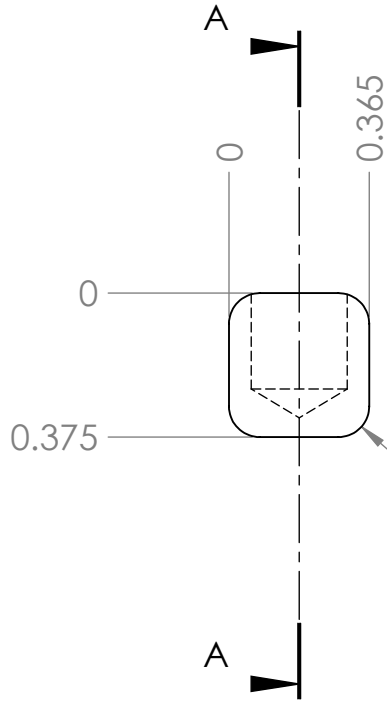
Material: Aluminum	TITLE: Top Pressure Plate	
QTY: 1	DWG. NO. A002-B003_topTensioner	
SCALE: 1:1	REV: 3	SHEET 1 OF 1



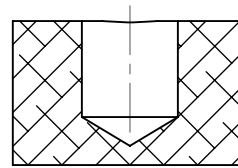
Material: Plexi-glass	TITLE: Tension Mount	
QTY: 1	DWG. NO. A002-B003_TensionMount	
SCALE: 1:1	REV: 3	SHEET 1 OF 1



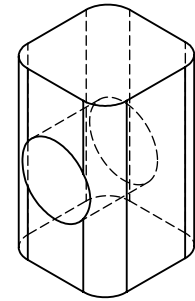
$\varnothing 0.250$ DRILLED $\nabla 0.250$



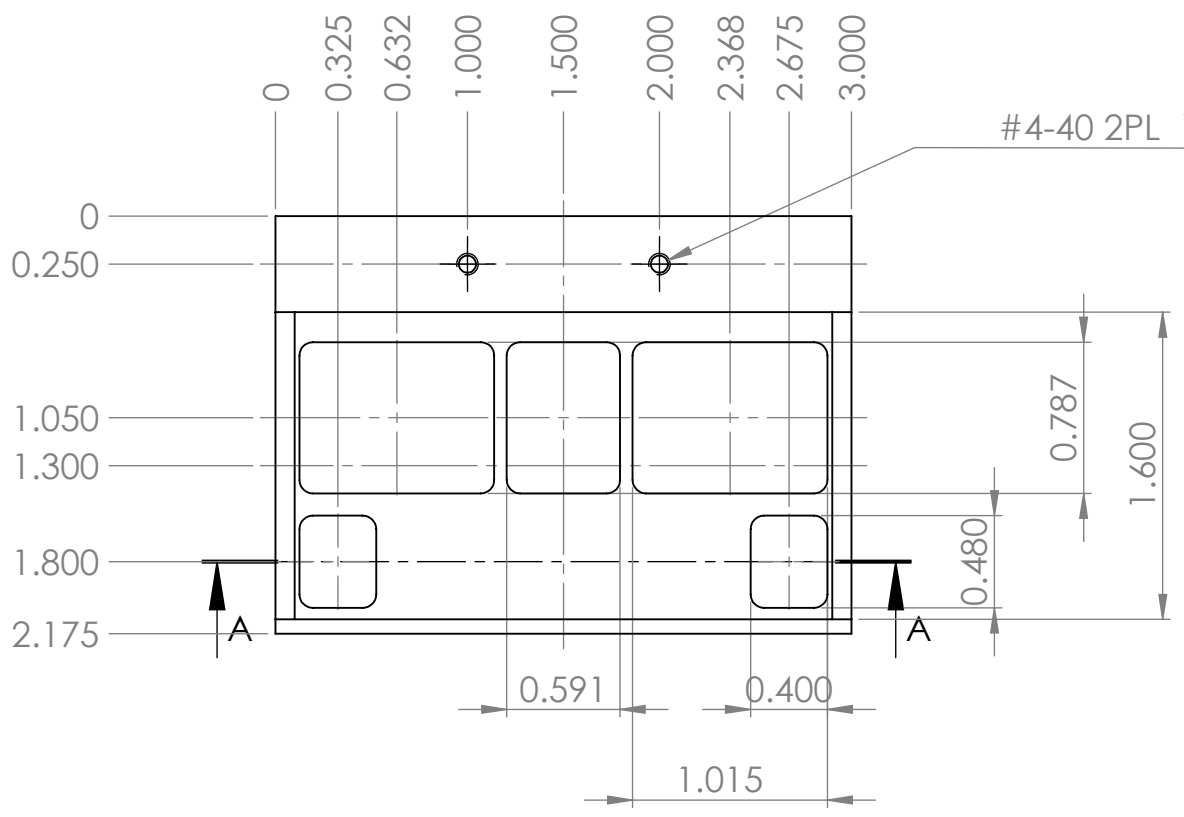
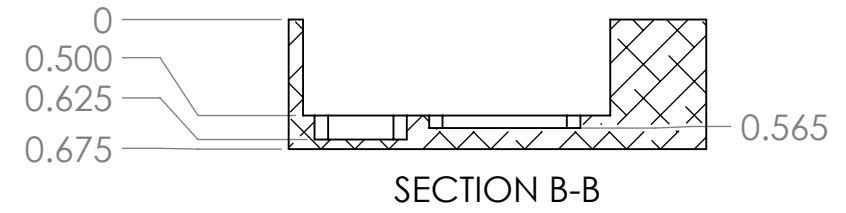
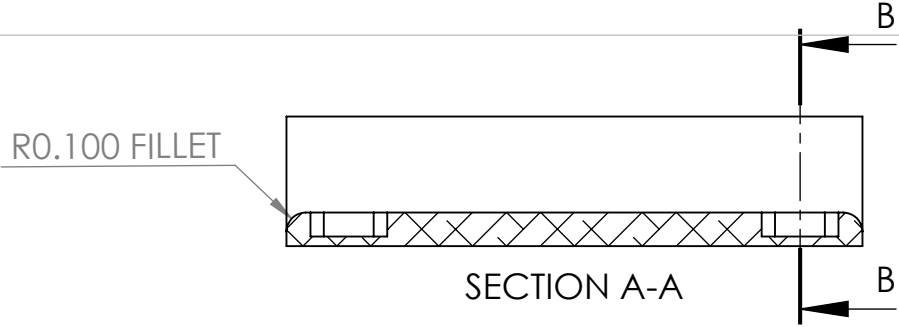
R0.080 FILLET



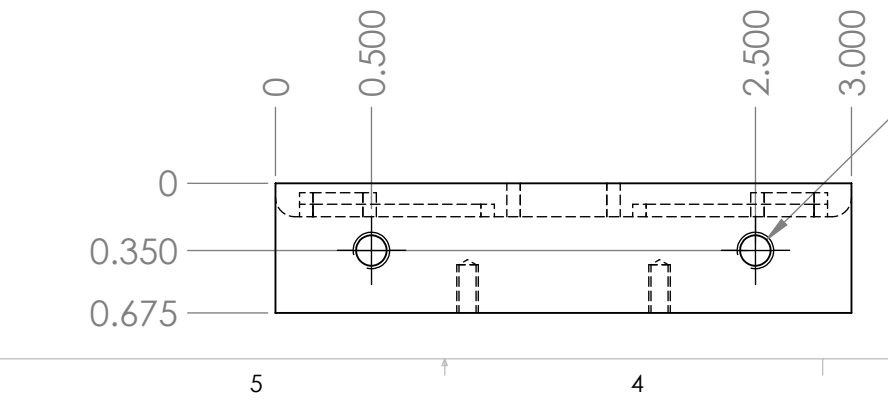
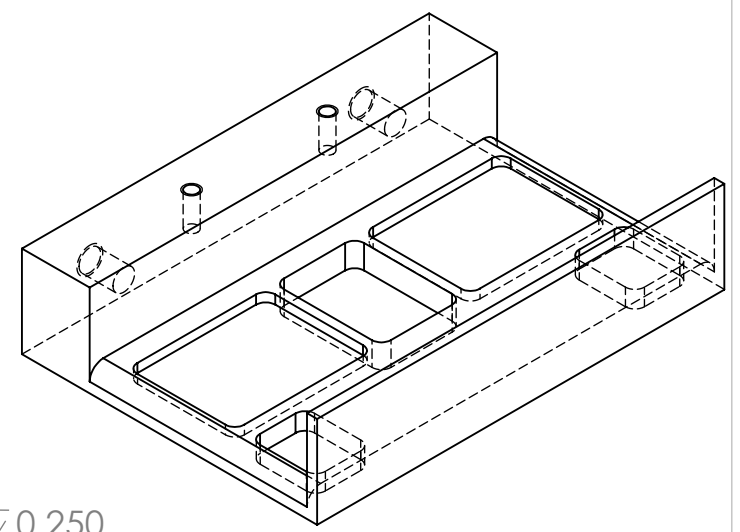
SECTION A-A



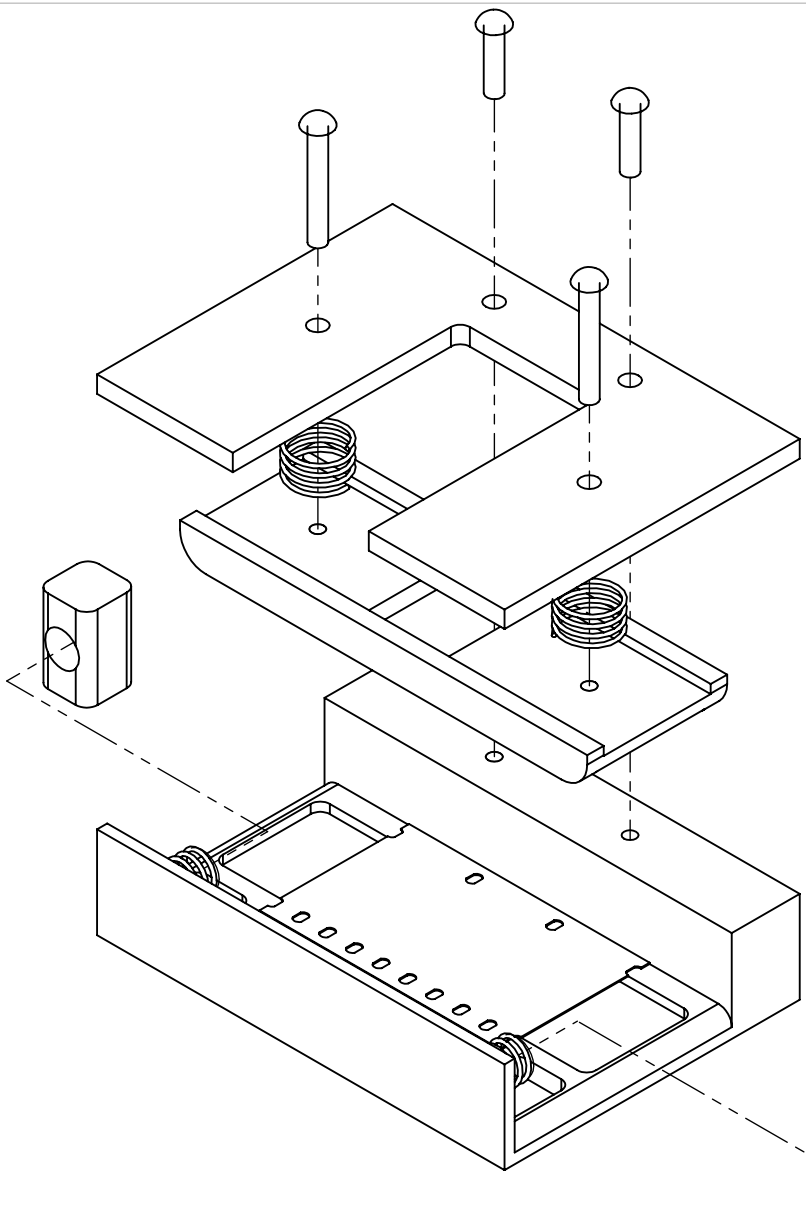
Material: Aluminum	TITLE: Slide Tensioner	
QTY: 2	DWG. NO. A002-B003_tensioner	
SCALE: 2:1	REV: 3	SHEET 1 OF 1



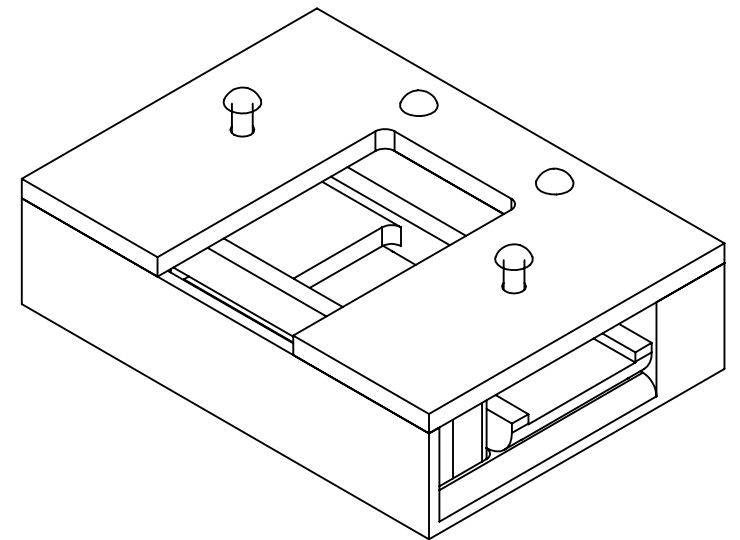
TYP FILLETS R0.07



Material: Aluminum	TITLE: Base Plate	
QTY: 1	DWG. NO. A002-B003_base	
SCALE: 1:1	REV: 4	SHEET 1 OF 1



ITEM NO.	PART NUMBER	DESCRIPTION	QTY.
1	A002-B003_base	Base plate	1
2	virtualFilmModel^A002-B003_assem	Film Representation	1
3	A002-B003_topTensioner	Pressure Plate	1
4	A002-B003_TensionMount	Pressure plate Mount	1
5	A002-B003_screw	#4-40 Screw	2
6	A002-B003_screw	#4-40 Screw	2
7	A002-B003_spring	Pressure Plate Springs	2
8	A002-B003_tensioner	Tension Blocks	2
9	A002-B003_spring-2	Tension Block Springs	2
10	A002-B003_Post	TBD	2



Material: n/a	TITLE: Film Gate Assembly	
QTY: 1	DWG. NO. A002-B003_assem	
SCALE: 1:2	REV: 4	SHEET 1 OF 1

5

4

3

2

1