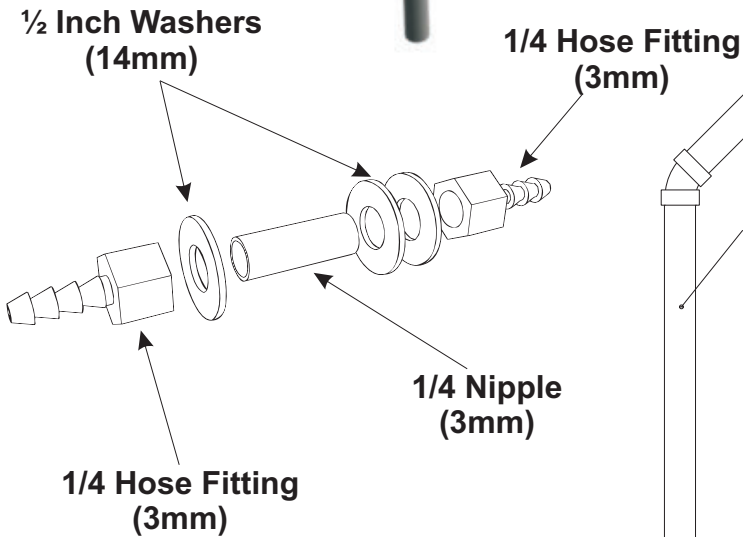
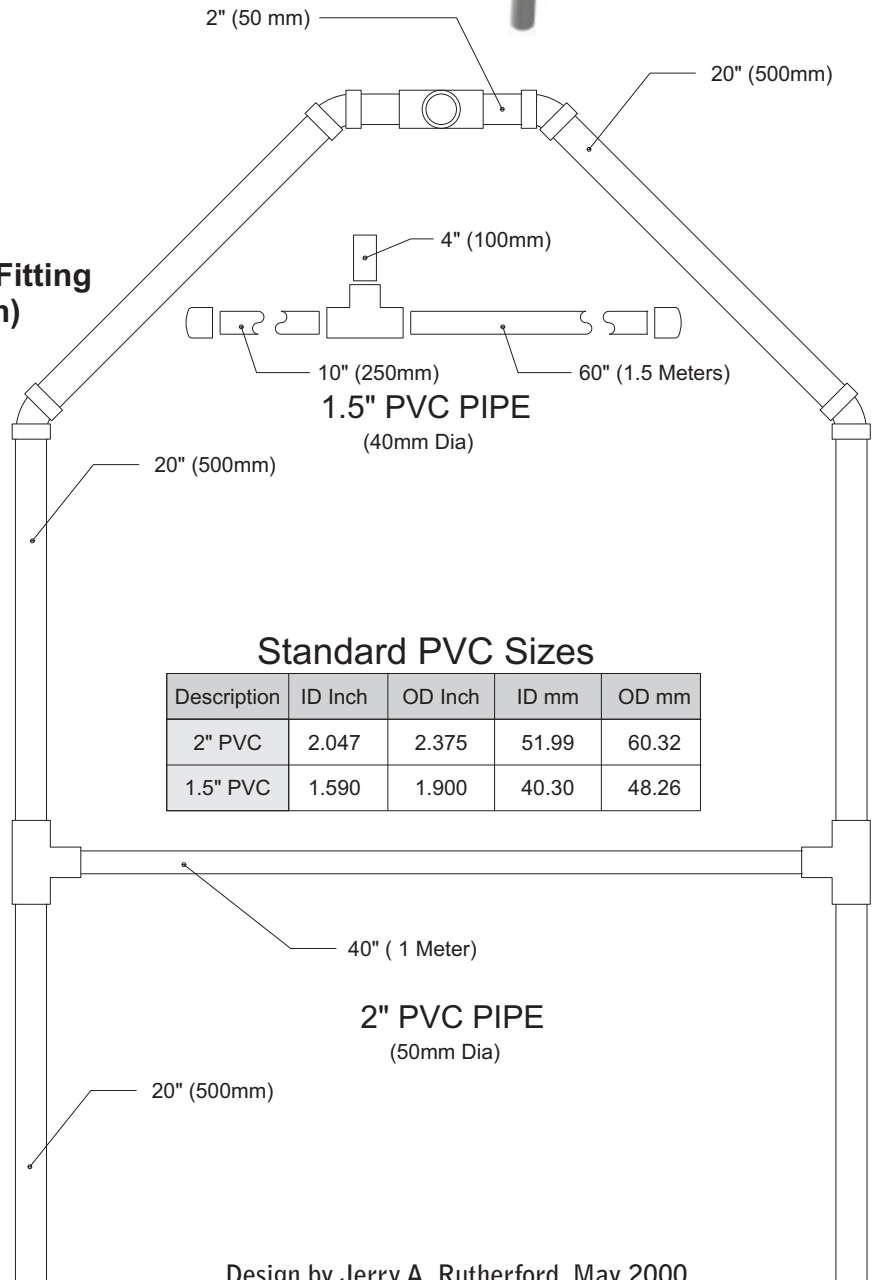


The water bar should be friction fit into the A-Frame so that it may be taken apart for storage or repair. An alternate mounting method is to install an eye-bolt at each end and suspend the unit from the ceiling or other existing frame.



The connection from the condensation pump to the outside A-Frame should penetrate the house frame in such a way as to not allow the wood to get wet or allow insects to get in. A 1/4 threaded nipple was inserted through the wall and 1/2 inch washers were stacked to take up the remaining space. A single washer went outside, the remaining were inside where they would not be seen. This provides a sturdy place to attach the hose both inside and out. If the outside hose becomes damaged it is easily replaced.



**Standard PVC Sizes**

Description	ID Inch	OD Inch	ID mm	OD mm
2" PVC	2.047	2.375	51.99	60.32
1.5" PVC	1.590	1.900	40.30	48.26