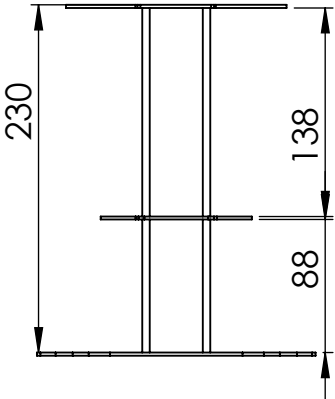
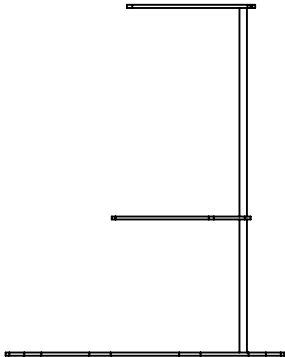
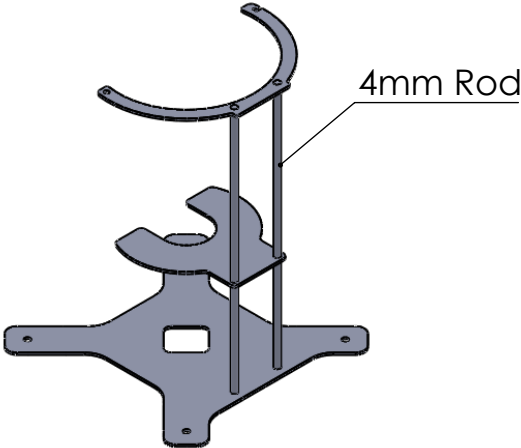
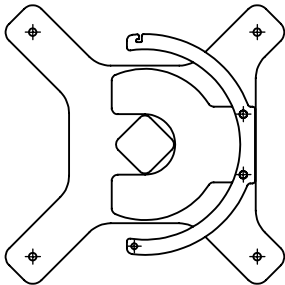
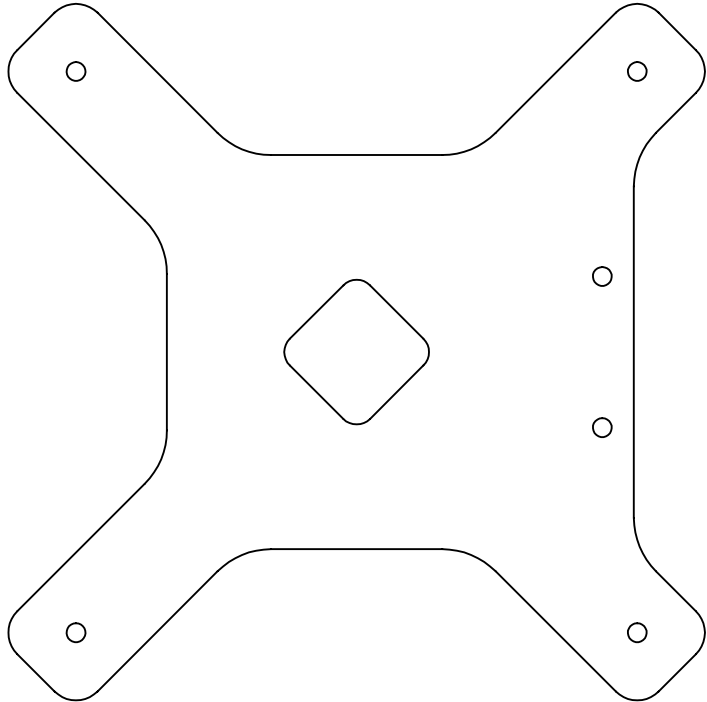


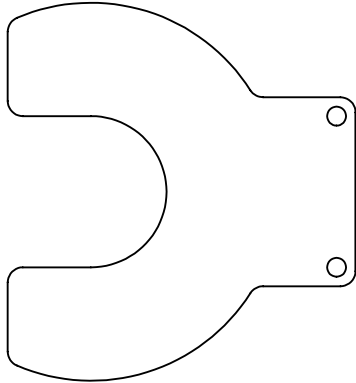
Rebreather



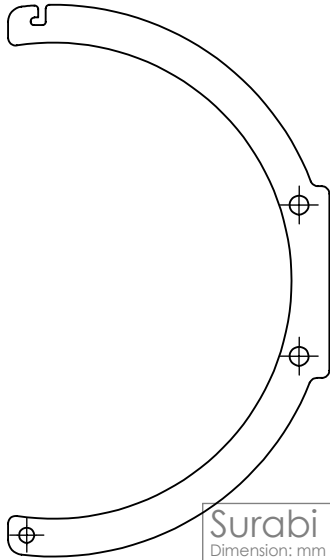
4mm MS



2mm MS



2mm MS



Surabi Biomedical Inst.		
Dimension: mm		
SIZE	DWG. NO.	REV.
A		
		SHEET 2 OF 2