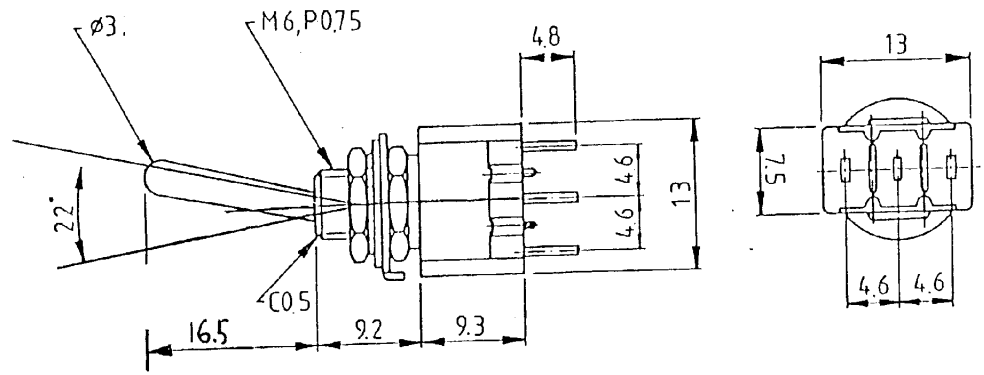
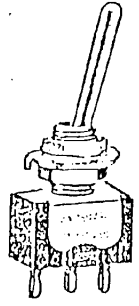


TO: FRED WONG
 FILE NO. 10304
 YOUR REF. NO. 09/12-001F
 SUPPLIER: RAMTRONICS INDUSTRIAL CO., LTD.
 BEST-NO. 700380
 DESCRIPTION: TOGGLE SWITCH 3P 2 - SECTION ON-ON (SPDT)
 SPECIFICATION & CHARACTERISTICS
 A. RATING: AC125V/6A, 250V/3A
 B. CONTACT RESISTANCE:
 20 MILLIONS MAX.
 C. INSULATION RESISTANCE:
 MIN. DC500V
 D. DIELECTRIC STRENGTH:
 AC1000 VOLTS 1 MINUTE
 F. OPERATING TEMPERATURE:
 -20 C - 65 C.
 G. ELECTRICAL LIFE:
 50,000 MAKE AND BREAK
 CYCLES AT FULL LOAD.



3A / 250V
 6A / 125V

BEST-NO. 700380

OUT
 OCT 14, 1993
 RODMAN
 UNIT: mm

P/NO. LB-601-2

REV. REVISION

APPROVED

CHECKED

DRAWN

SCALE DON'T SCALE

DIMENSION TOL.:

NOV. 12, 1993

APPRD. DATE PAGE

RAMTRONICS
 INDUSTRIAL CO., LTD.

TITLE:

DWG NO. 26-Y2201A