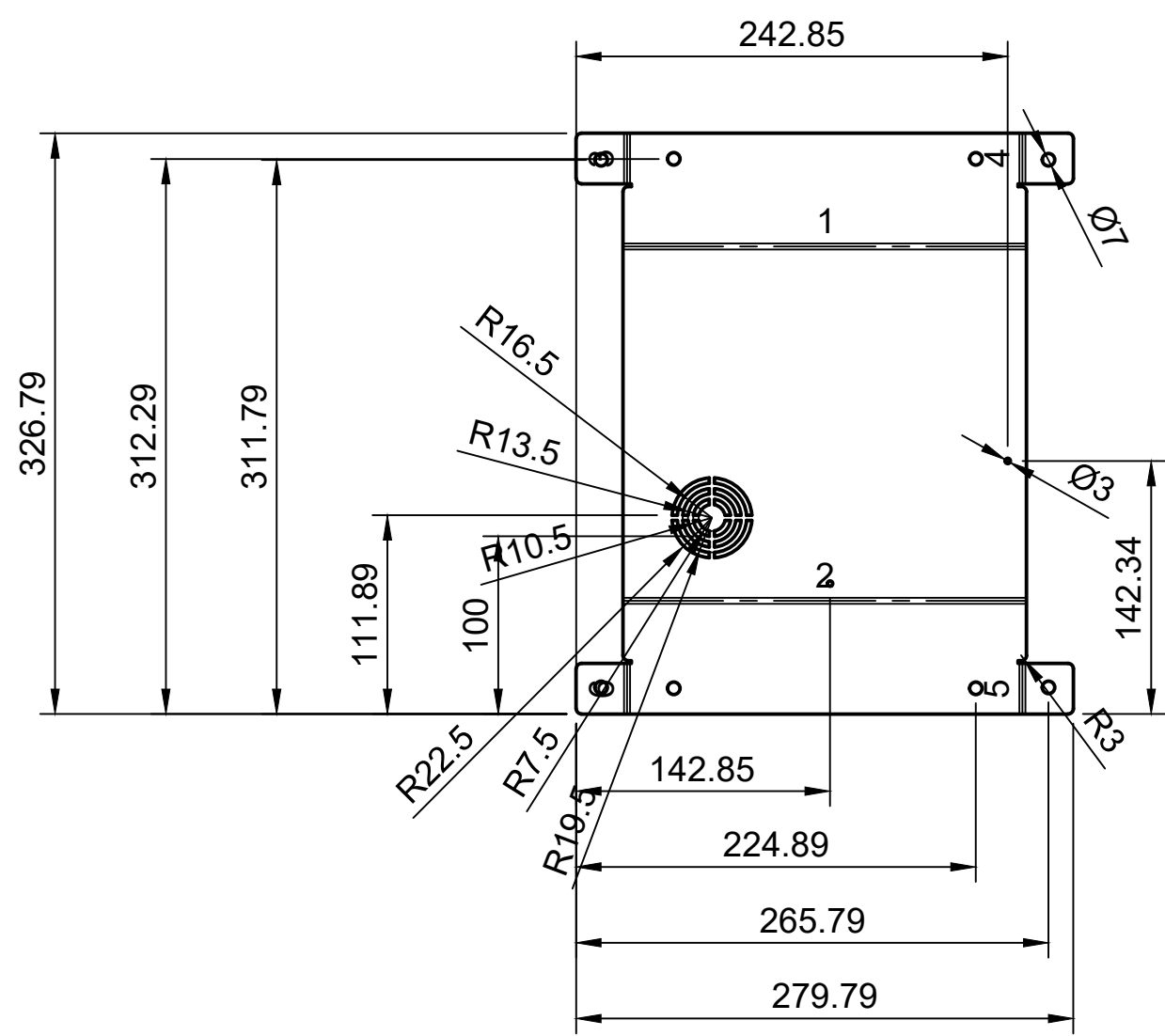


Dept.	Technical reference	Created by <b>Robin Taen</b>	8/16/2024	Approved by
		Document type	Document status	
		Title <b>5.5 Metal bending</b>	DWG No.	
		Rev.	Date of issue	Sheet <b>1/2</b>



Bend Table			
ID	Direction	Angle	Radius
1	Up	90	1.5
2	Up	90	1.5
3	Up	90	1.5
4	Up	90	1.5
5	Up	90	1.5
6	Up	90	1.5

Dept.	Technical reference	Created by <b>Robin Taen</b>	8/16/2024	Approved by
		Document type	Document status	
		Title <b>5.5 Metal bending</b>	DWG No.	
Rev.	Date of issue	Sheet <b>2/2</b>		