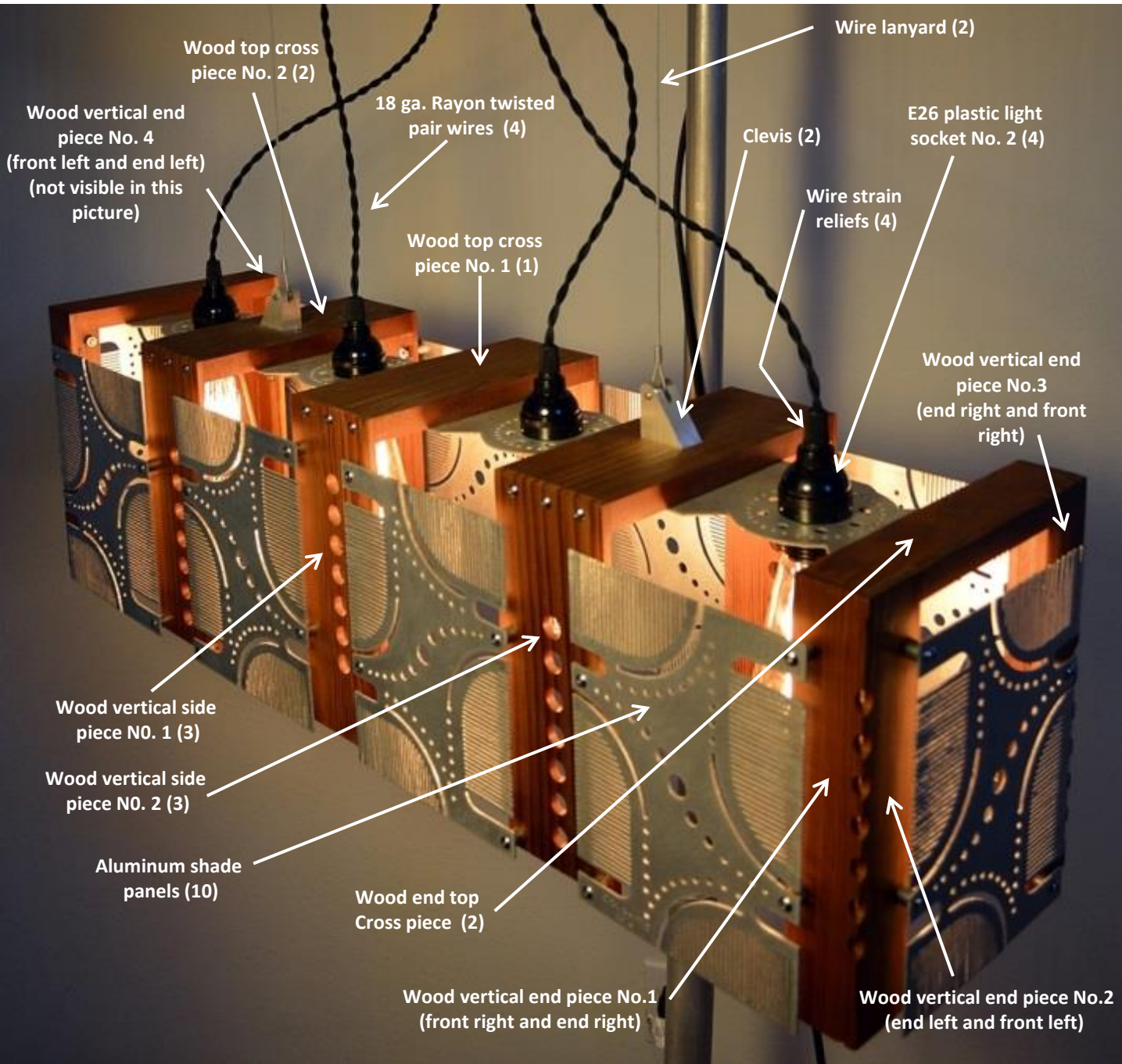
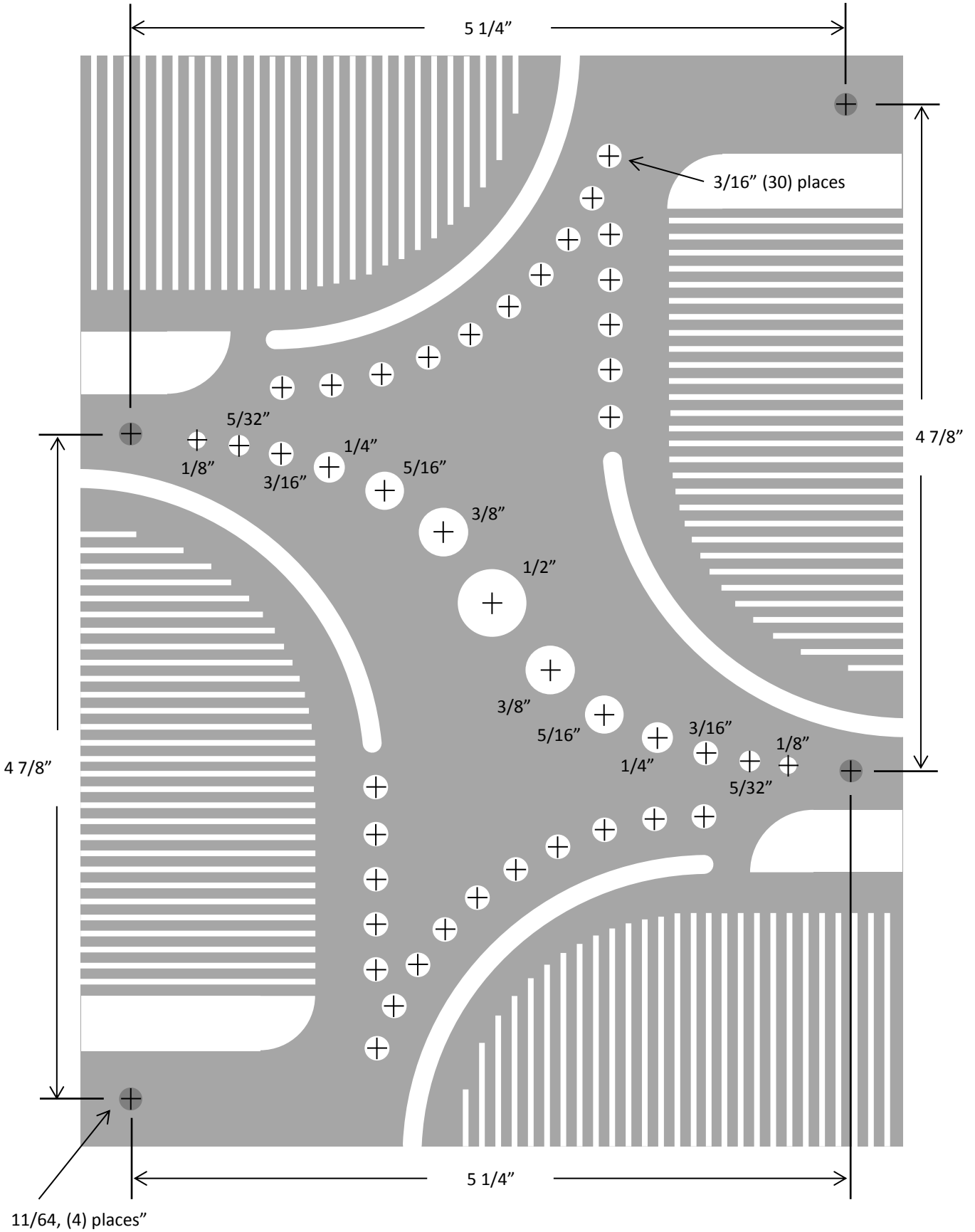


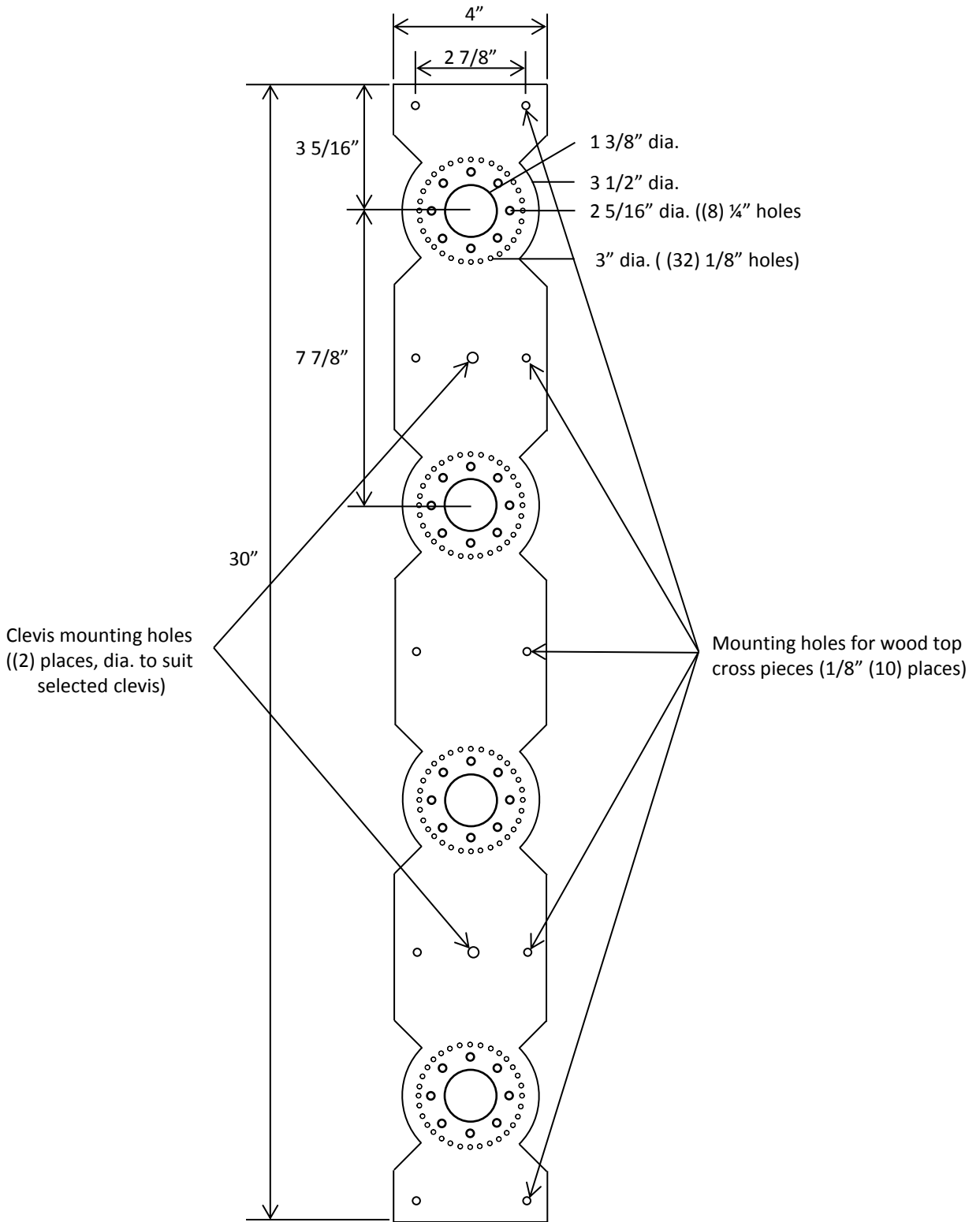
Parts identification reference picture

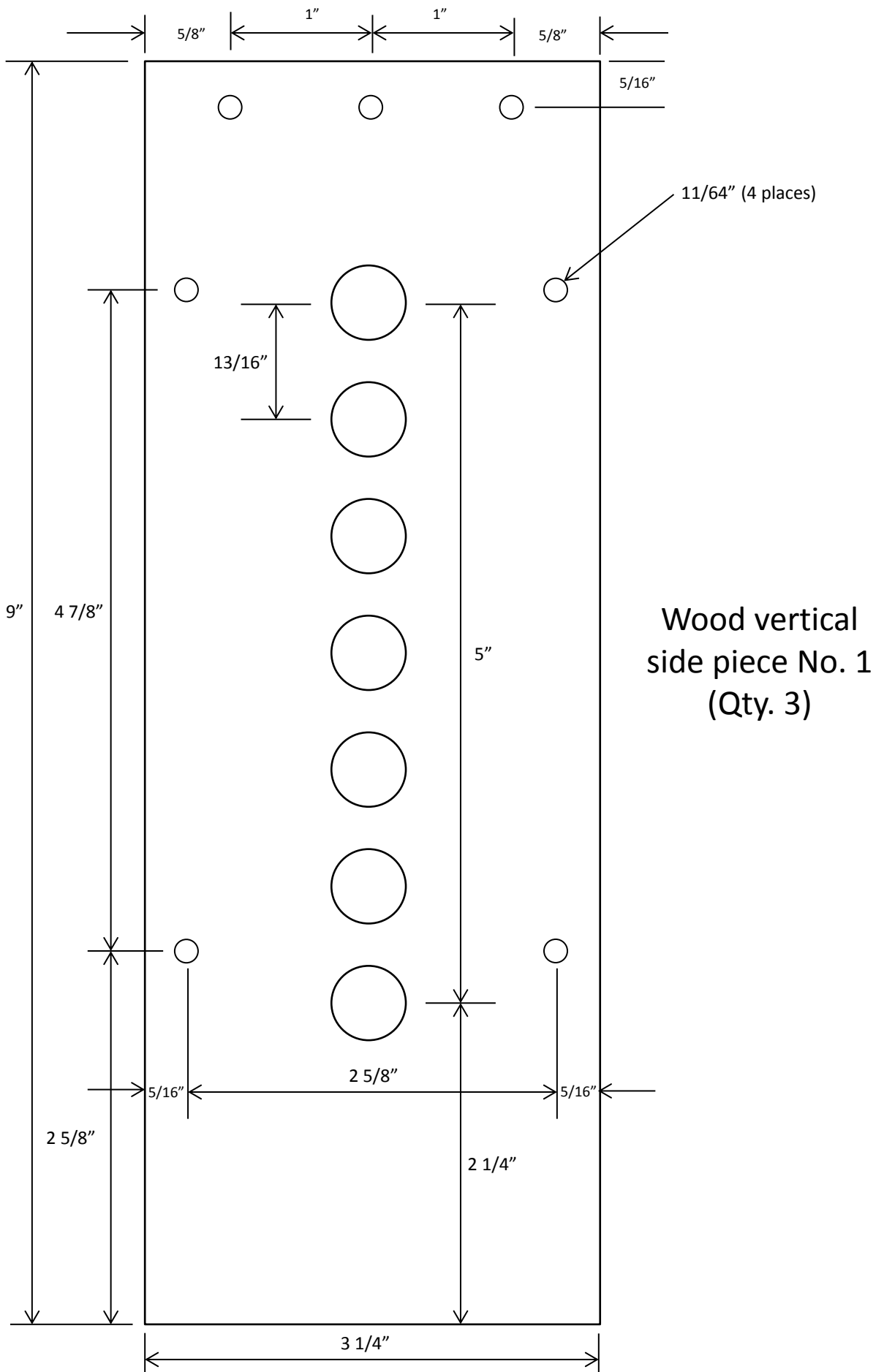


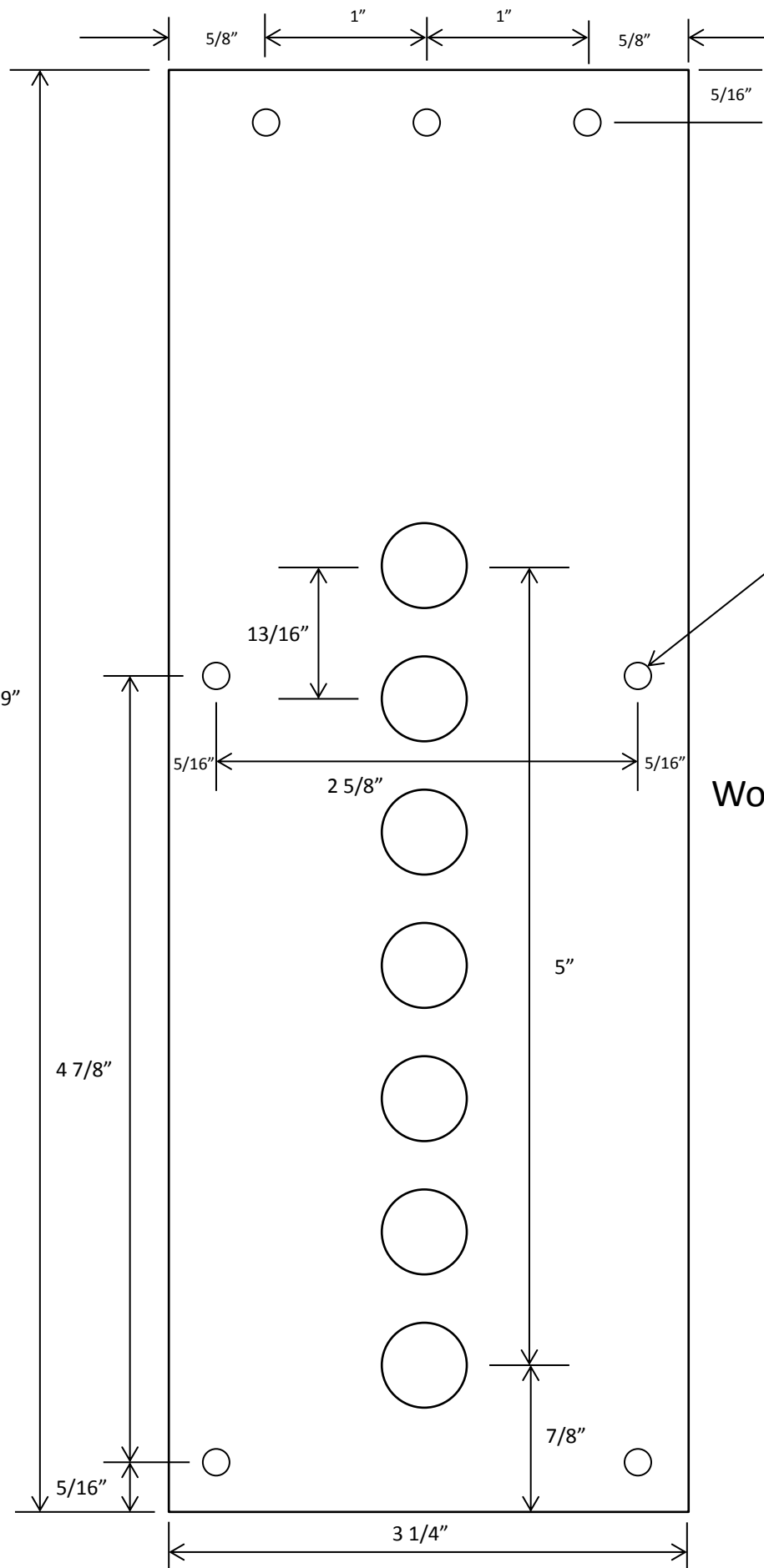
Aluminum shade panel



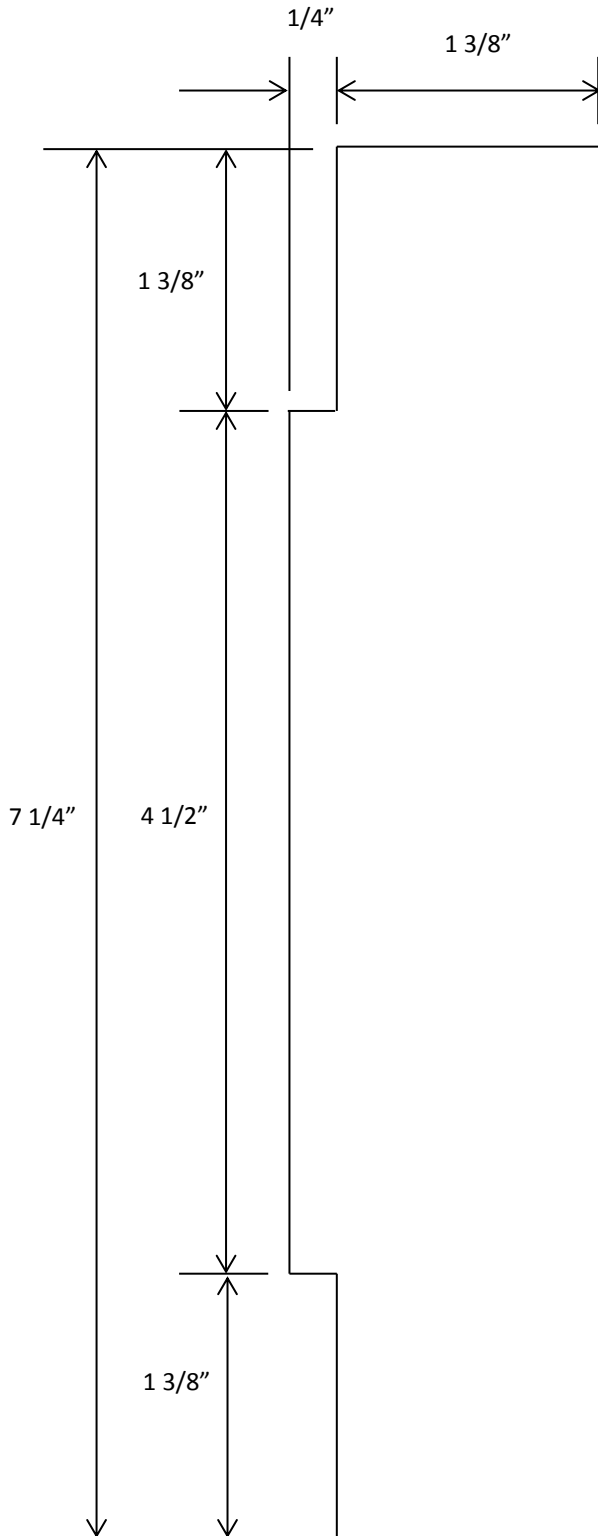
Aluminum top bracket



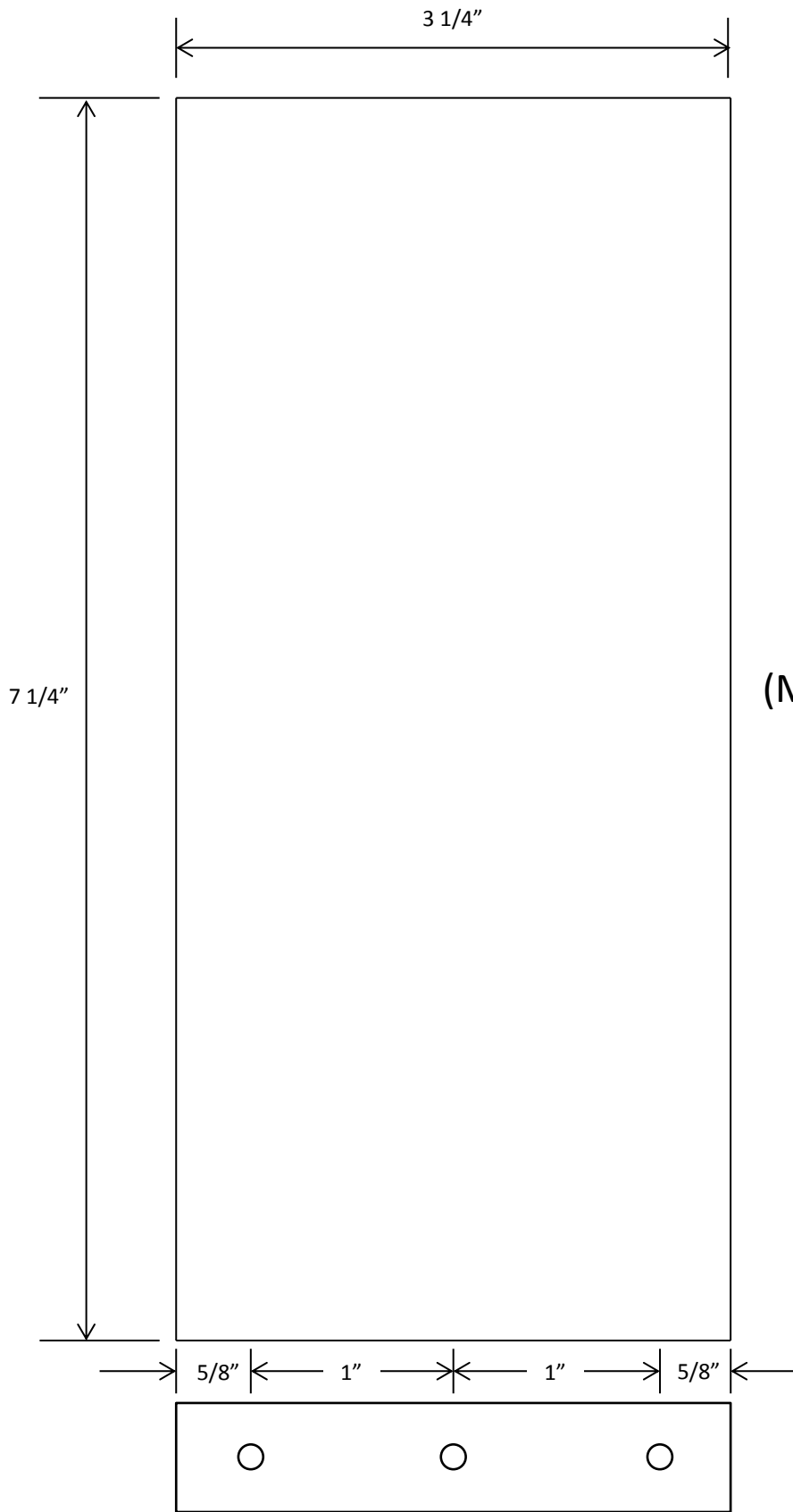




11/64" (4 places)
**Wood vertical side
 piece No. 2
 (Qty. 3)**

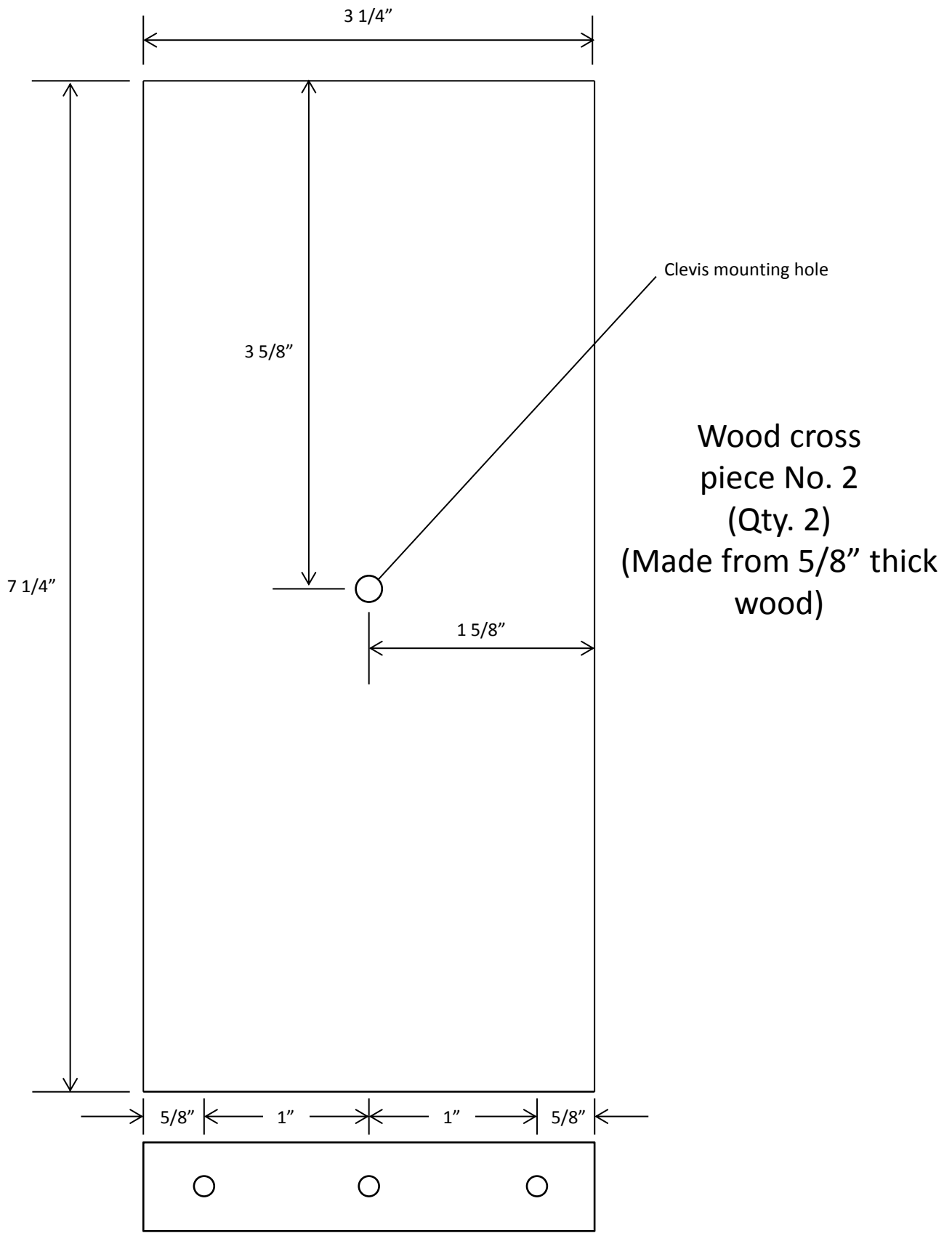


Wood end top cross
piece
(Qty. 2)
(Made from $\frac{5}{8}''$ thick
wood)



Wood cross
piece No. 1
(Qty. 1)
(Made from $\frac{5}{8}$ " thick
wood)

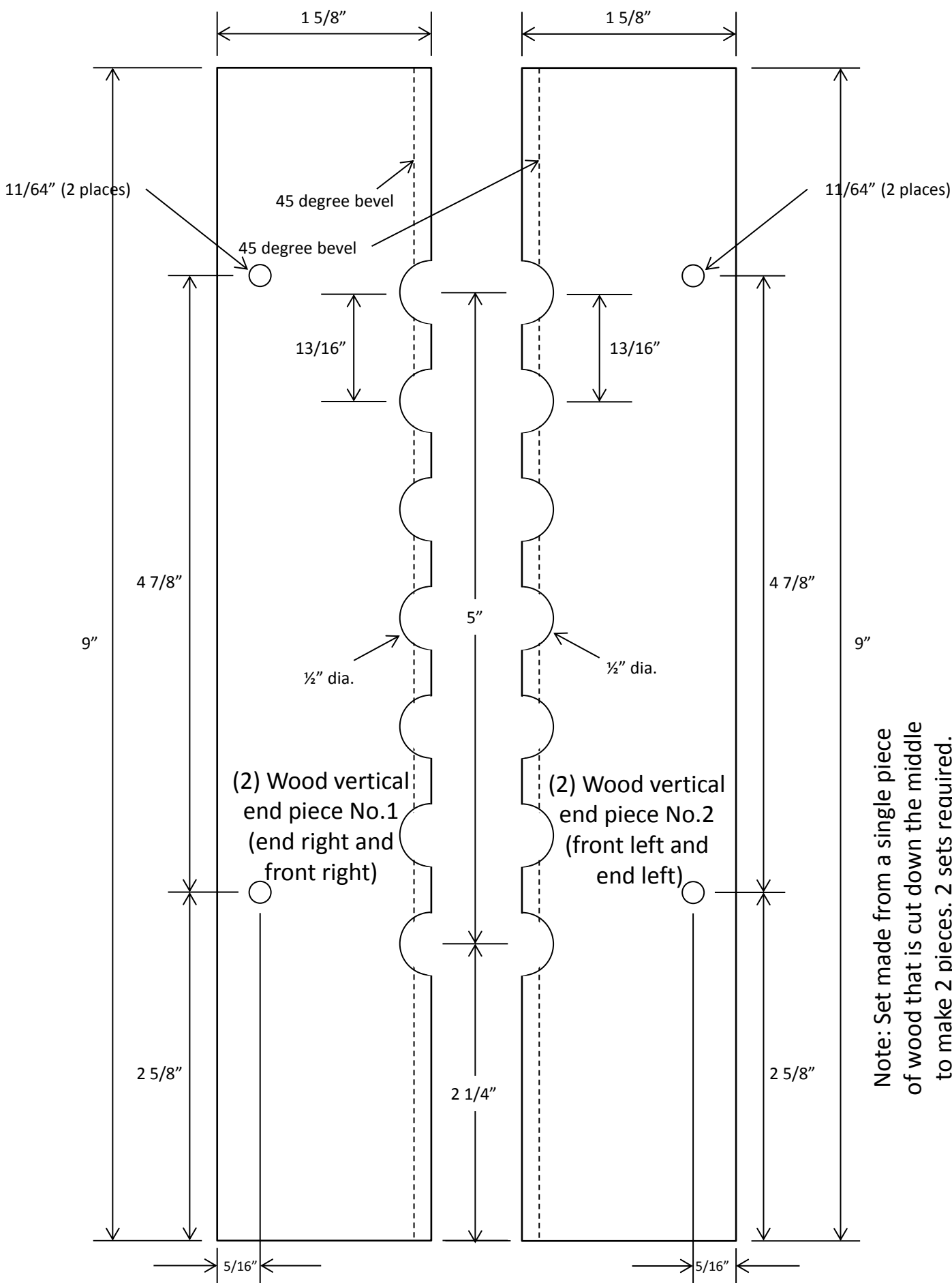
$\frac{9}{64}$ " holes $\frac{5}{8}$ " deep at both ends



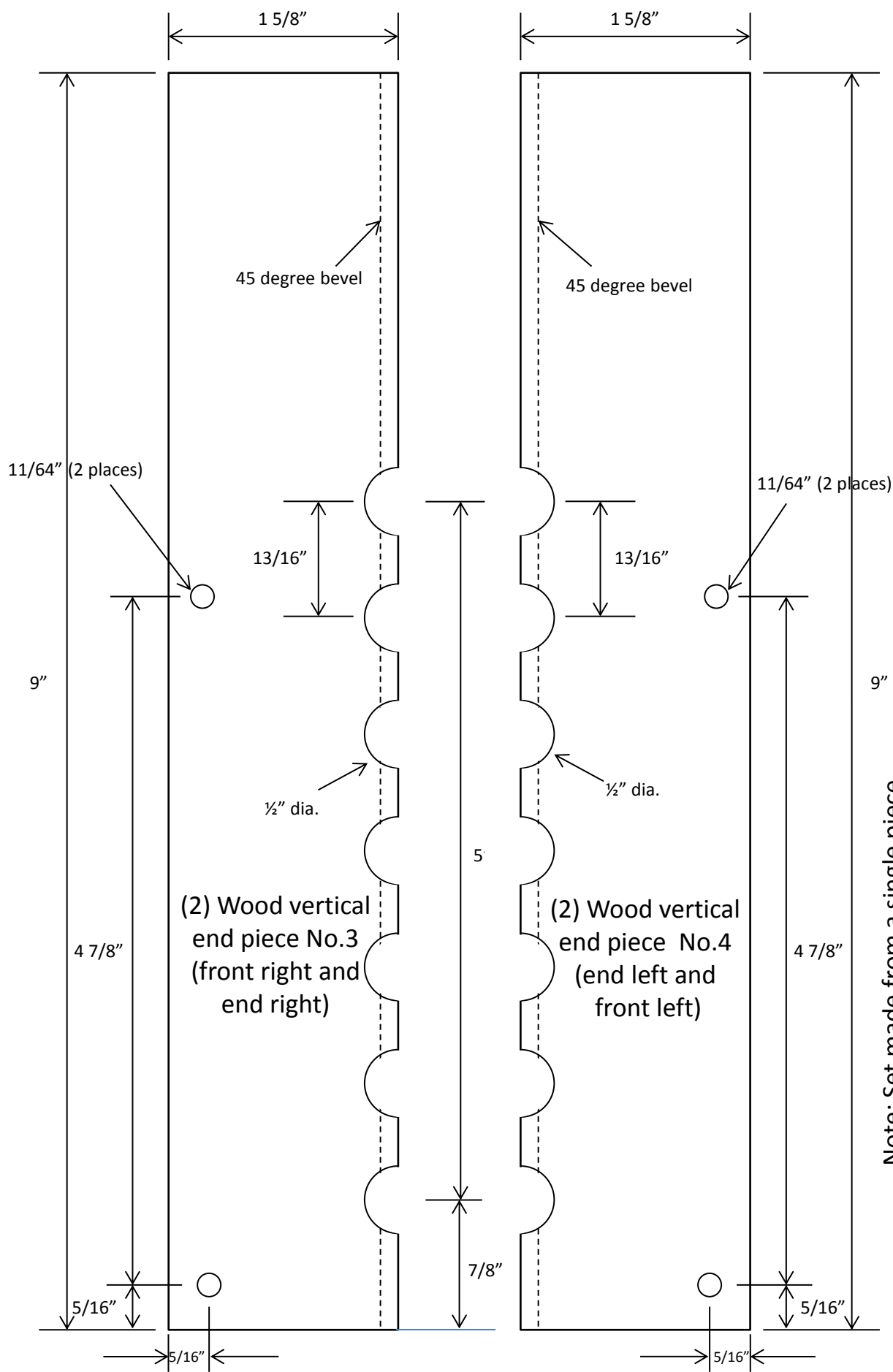
Clevis mounting hole

Wood cross
 piece No. 2
 (Qty. 2)
 (Made from 5/8" thick
 wood)

9/64" holes 5/8" deep at both ends



Note: Set made from a single piece of wood that is cut down the middle to make 2 pieces. 2 sets required.



Note: Set made from a single piece of wood that is cut down the middle to make 2 pieces. 2 sets required.