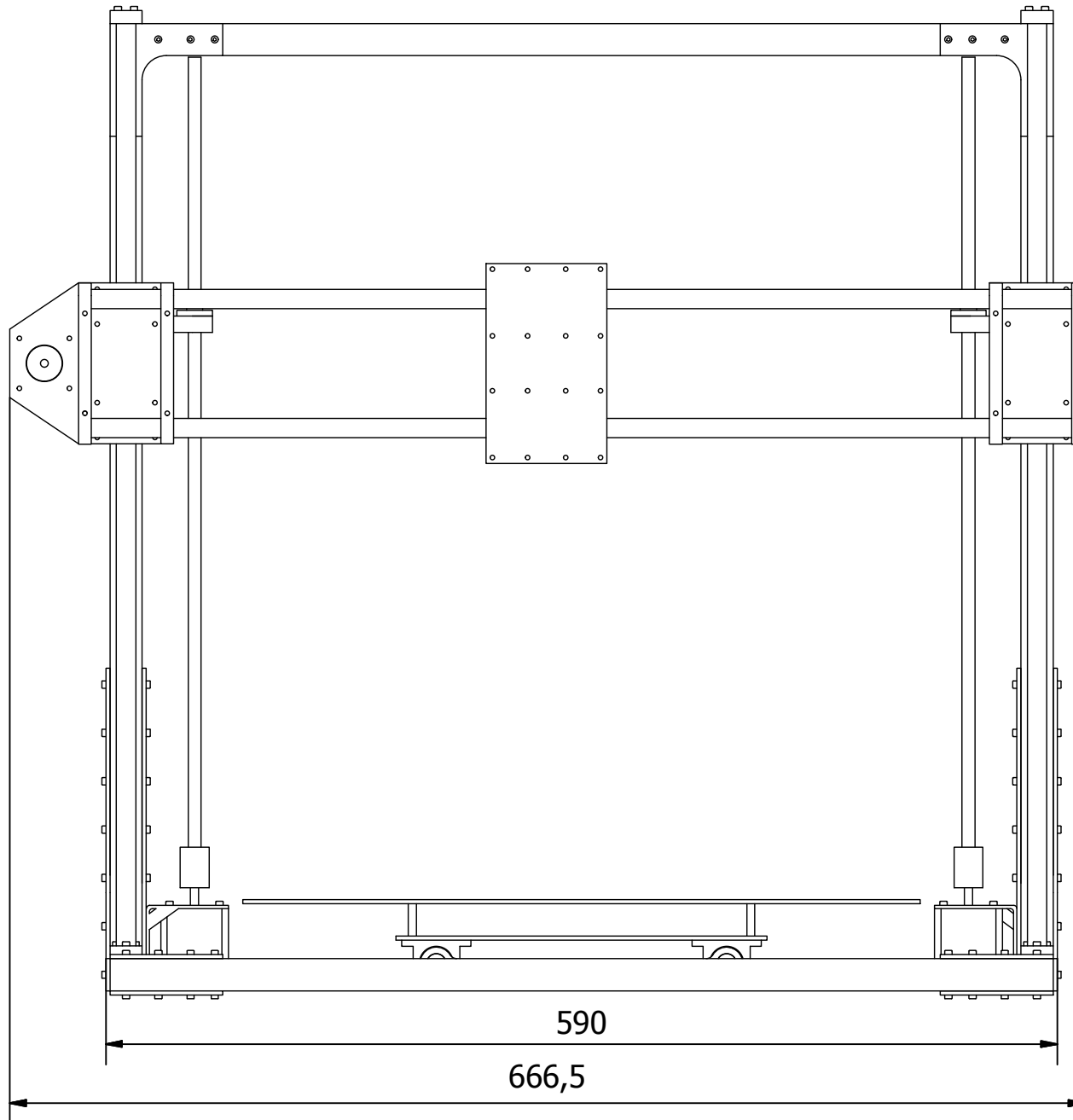
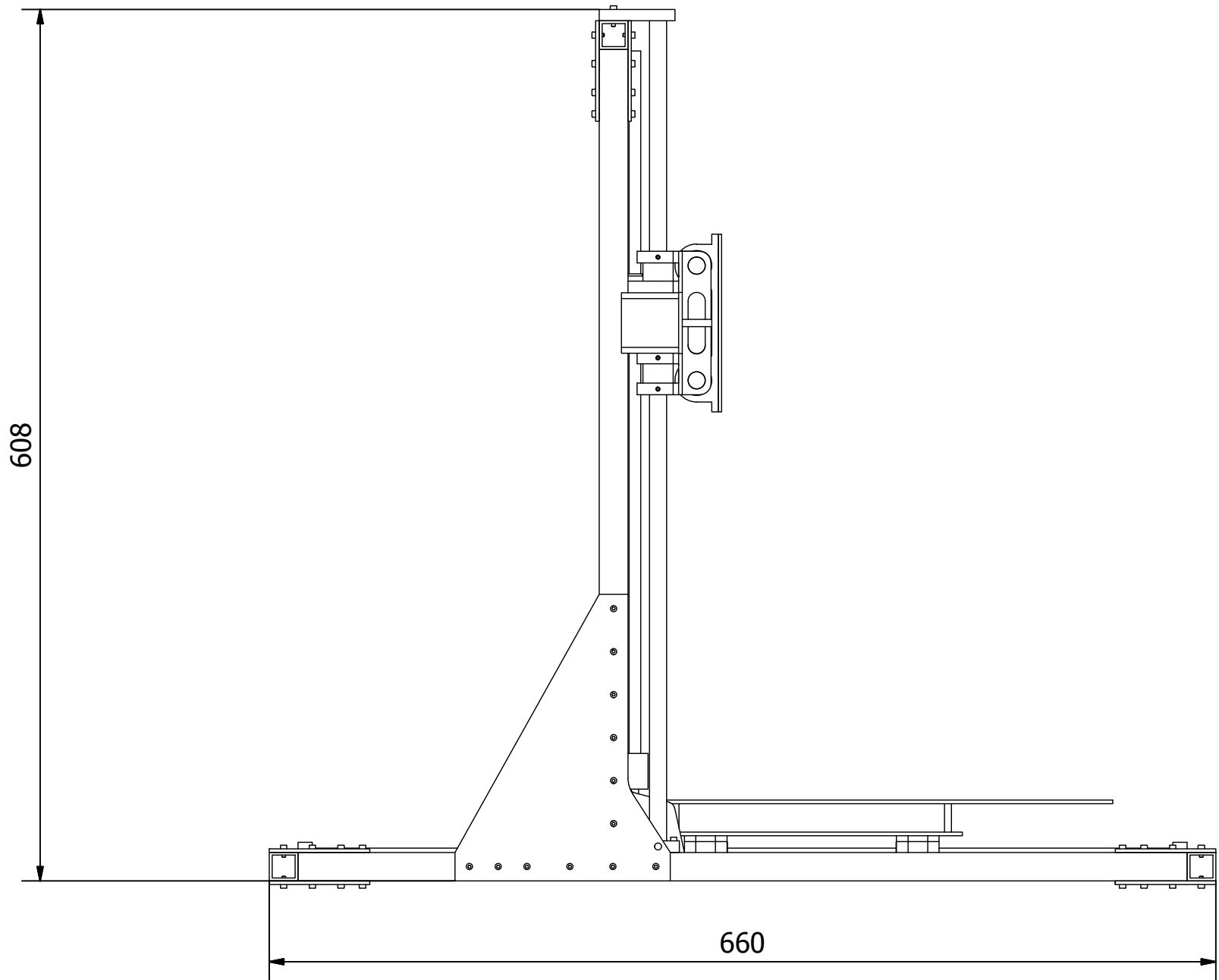


# 3D Printer

40x40x40 cm

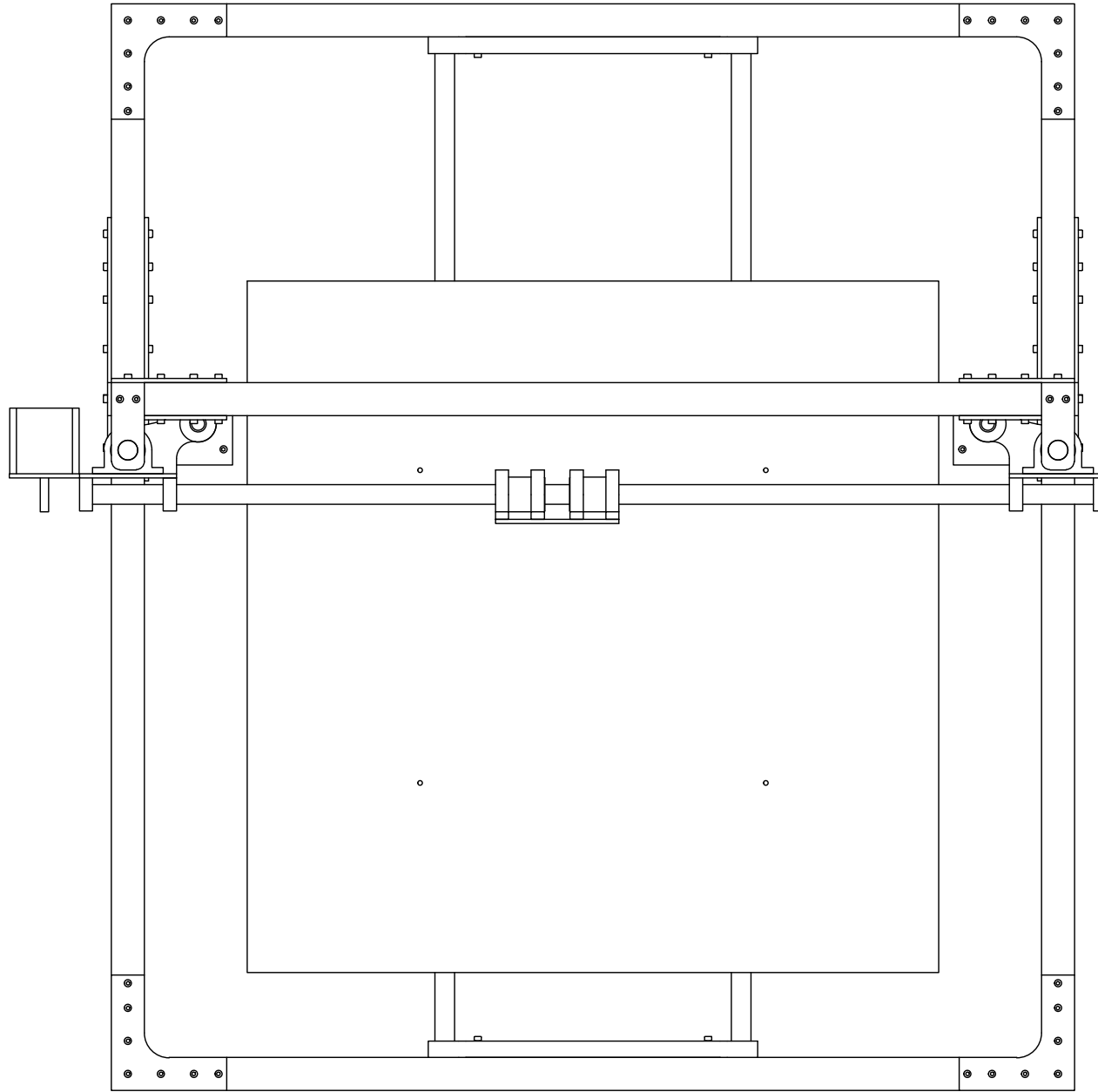
created by Thomas Workshop

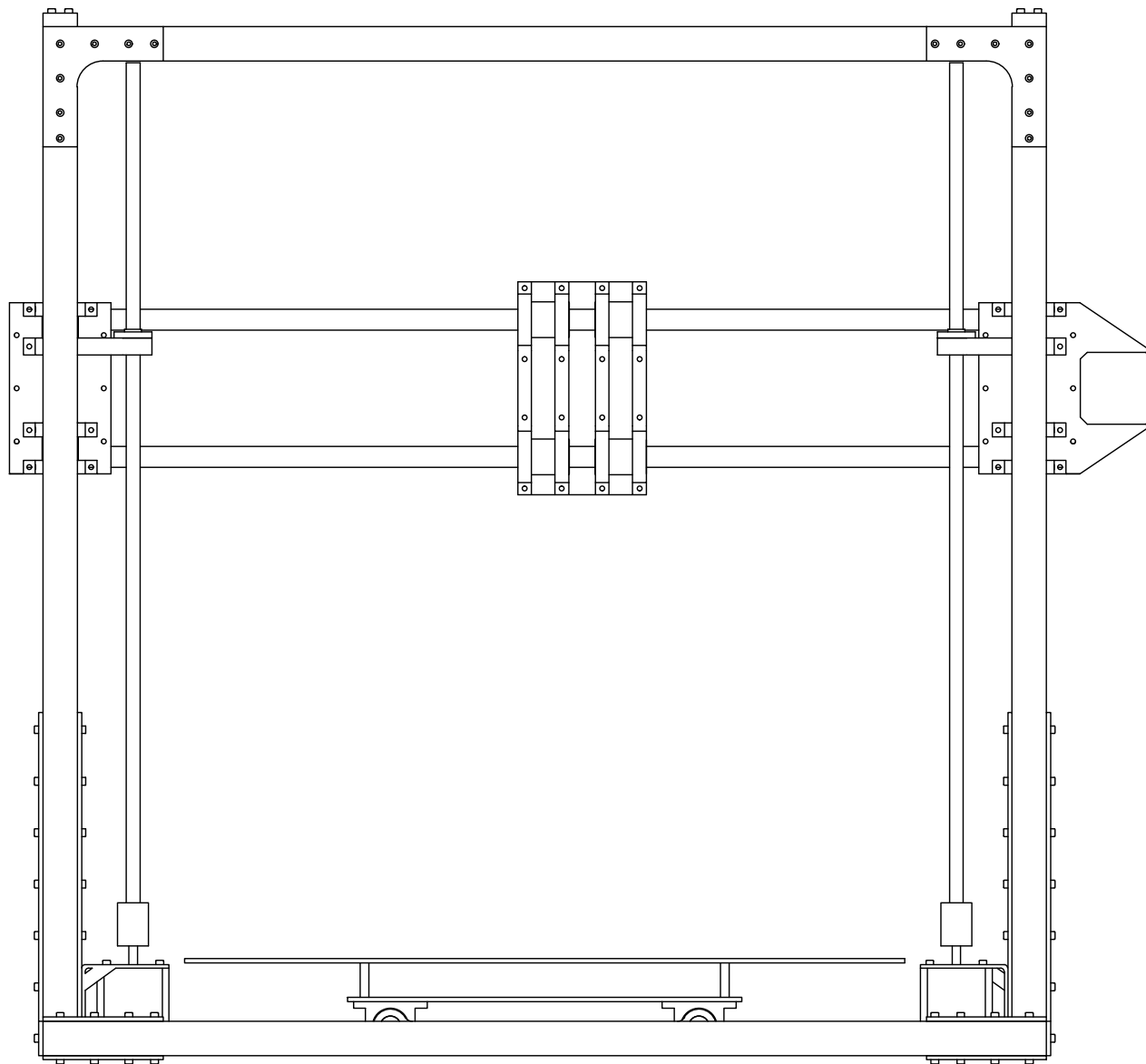


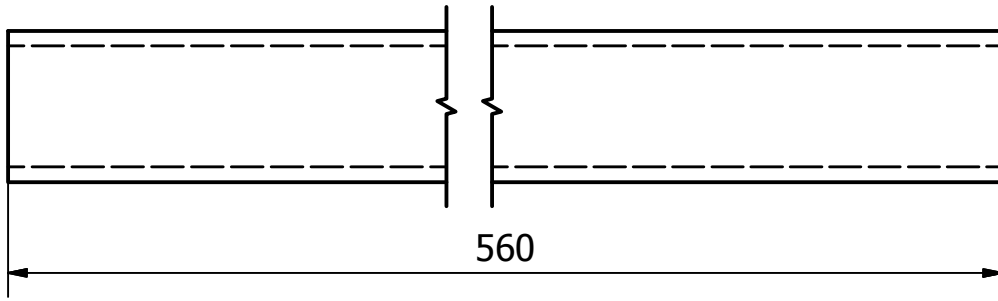


608

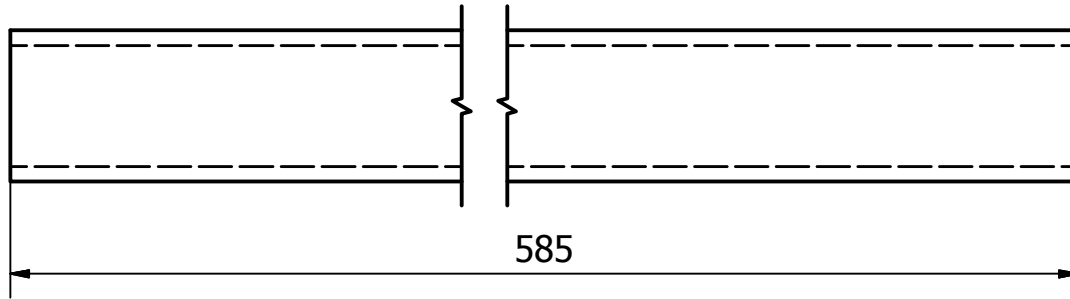
660



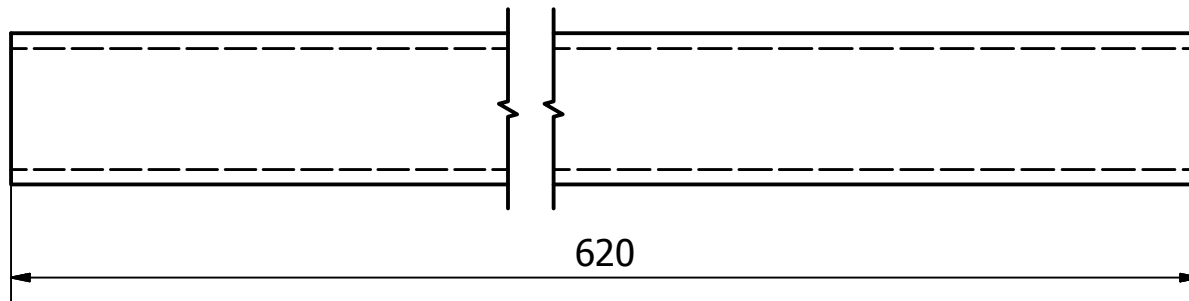




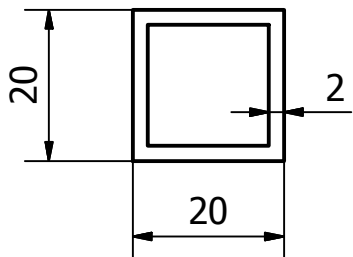
Quantity: 2x



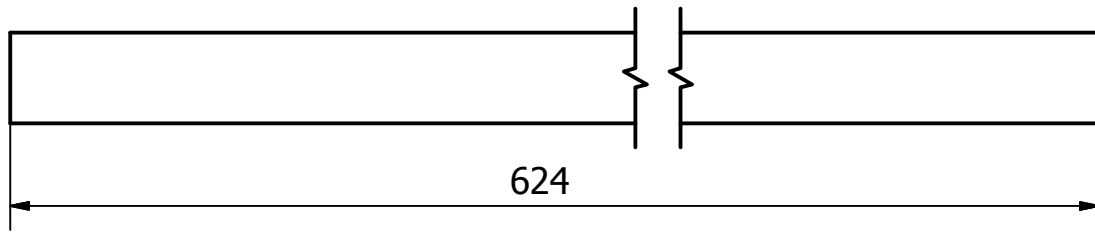
Quantity: 3x



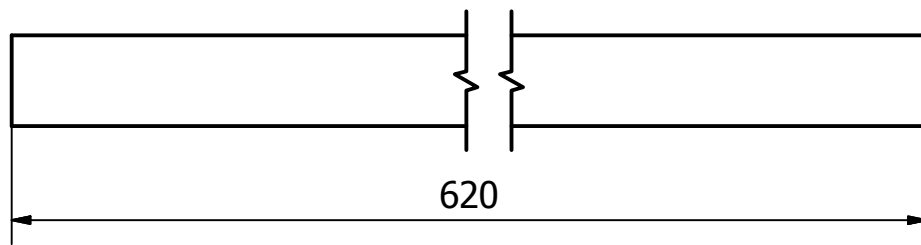
Quantity: 2x



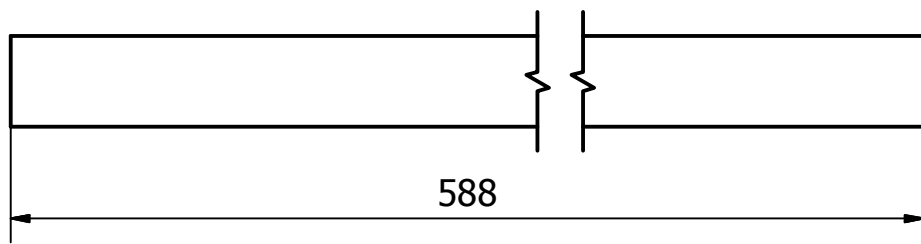
Designed by: Thomas Workshop	Scale: 1:1	Date: 2016-12-22	Quantity:
Title: Aluminium Profiles			



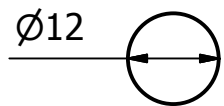
X Axis



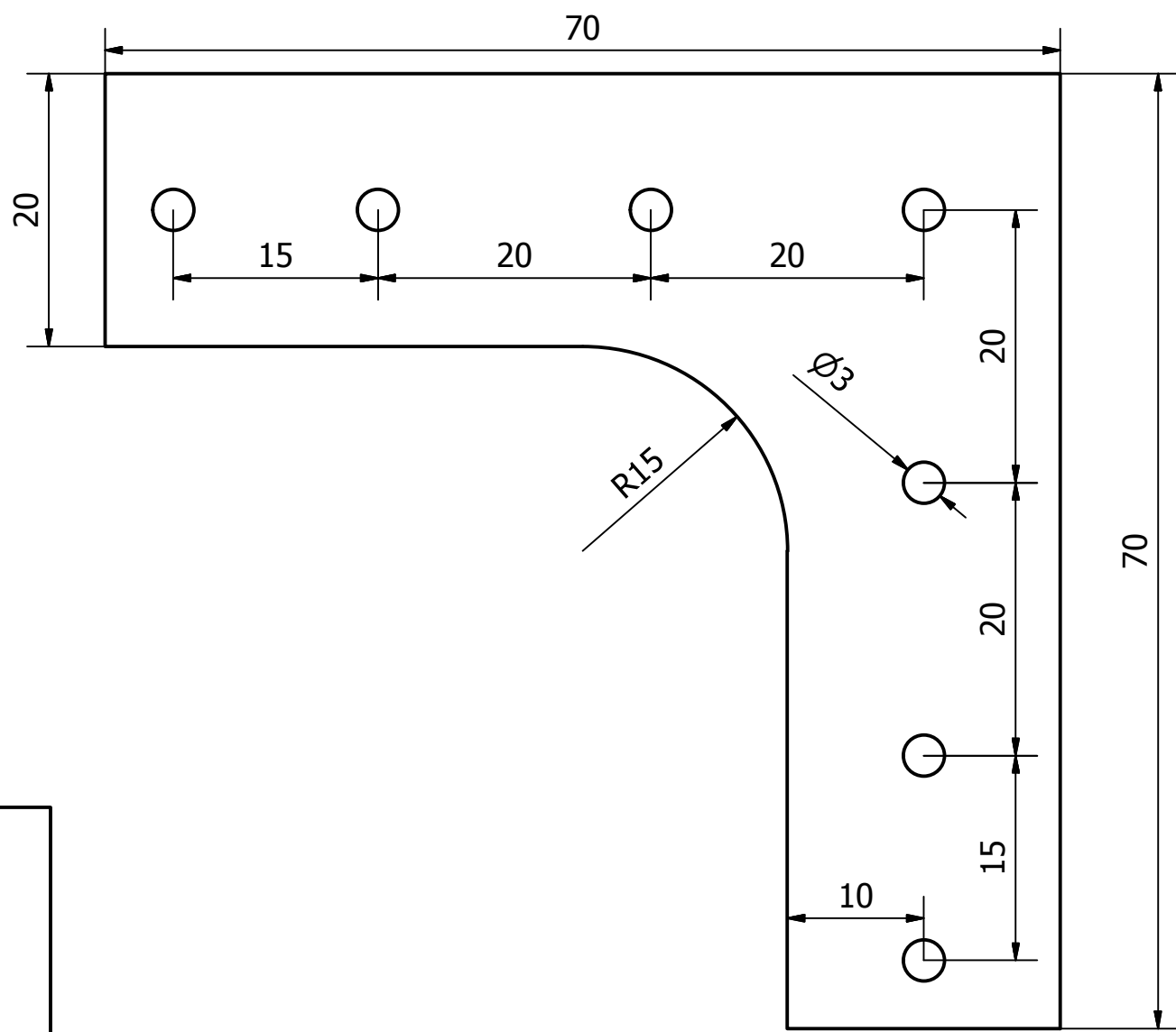
Y Axis



Z Axis

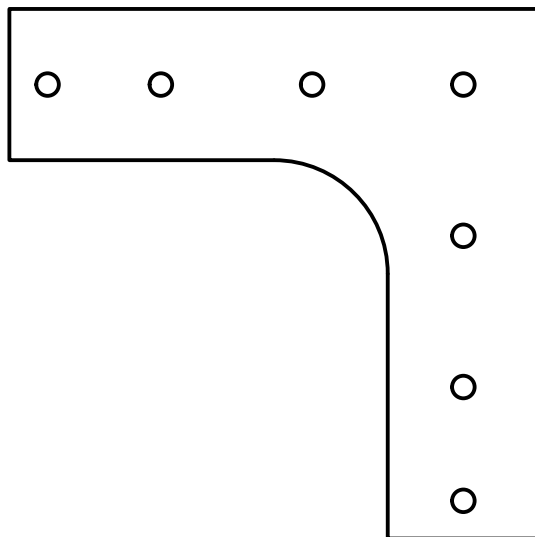


Designed by: Thomas Workshop	Scale: 1:1	Date: 2016-12-23	Quantity:
Title: Cylinder Linear Rail Shafts			



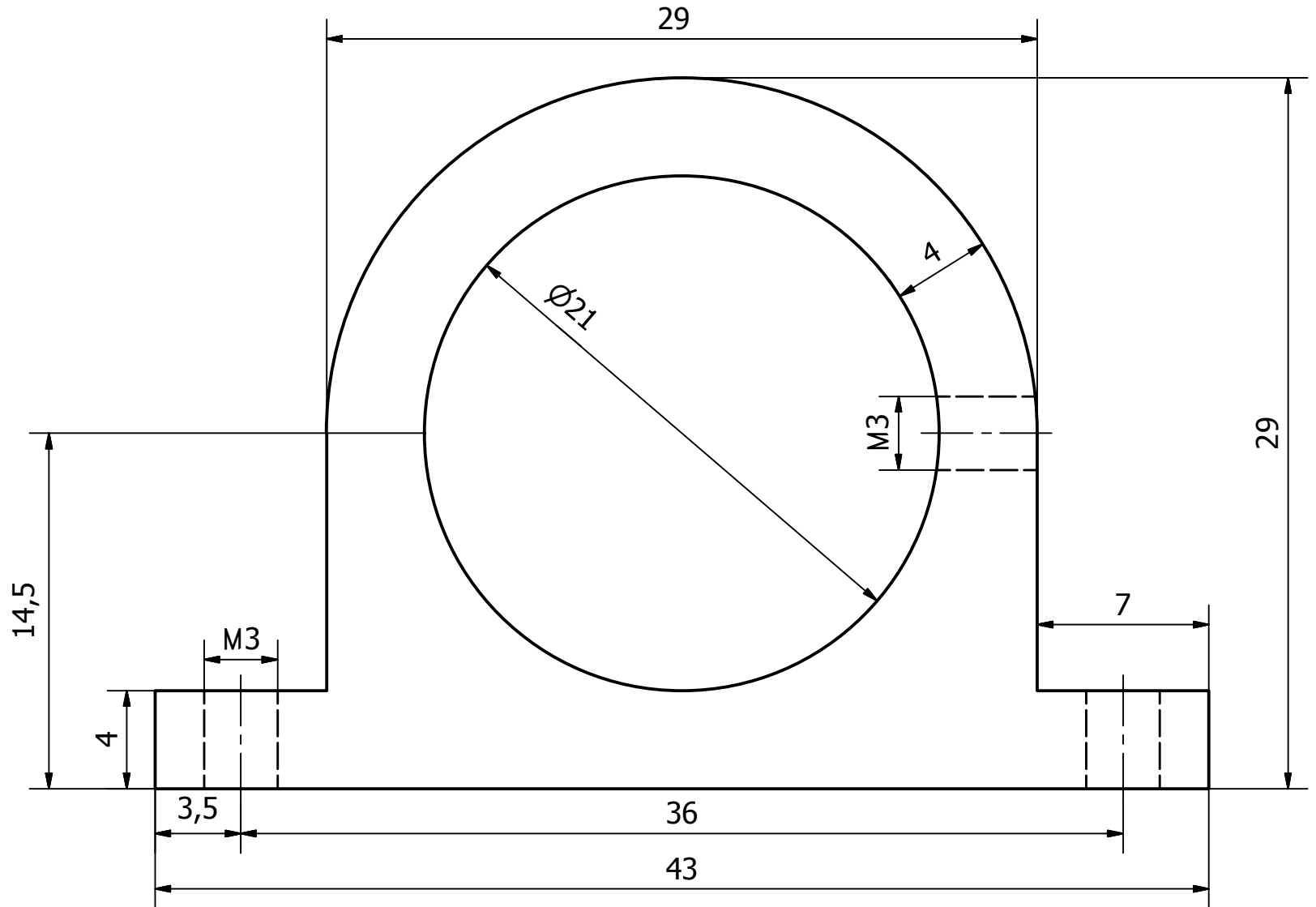
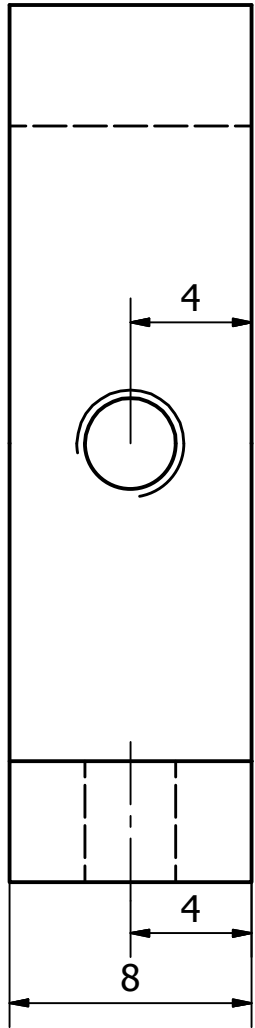
Thickness: 3mm

1:1

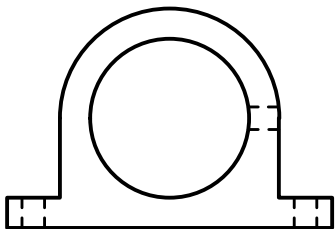


Designed by: Thomas Workshop	Scale: 2:1	Date: 2016-12-23	Quantity: 12
Title: Corner Connector			

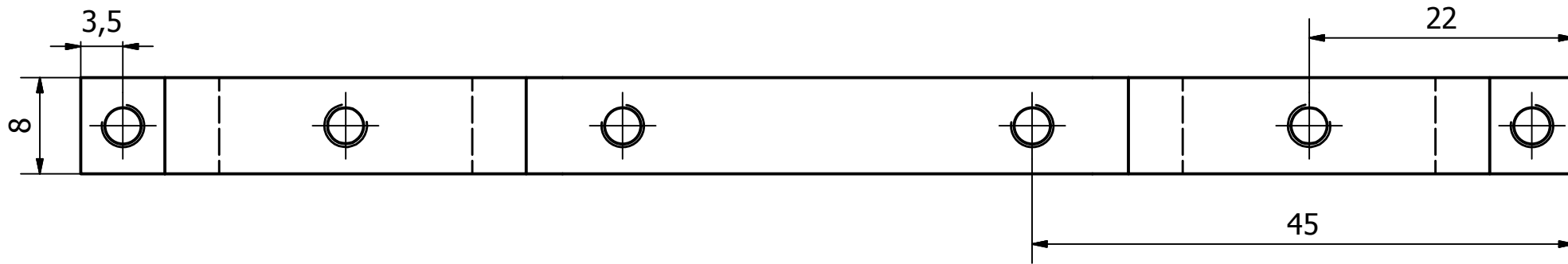
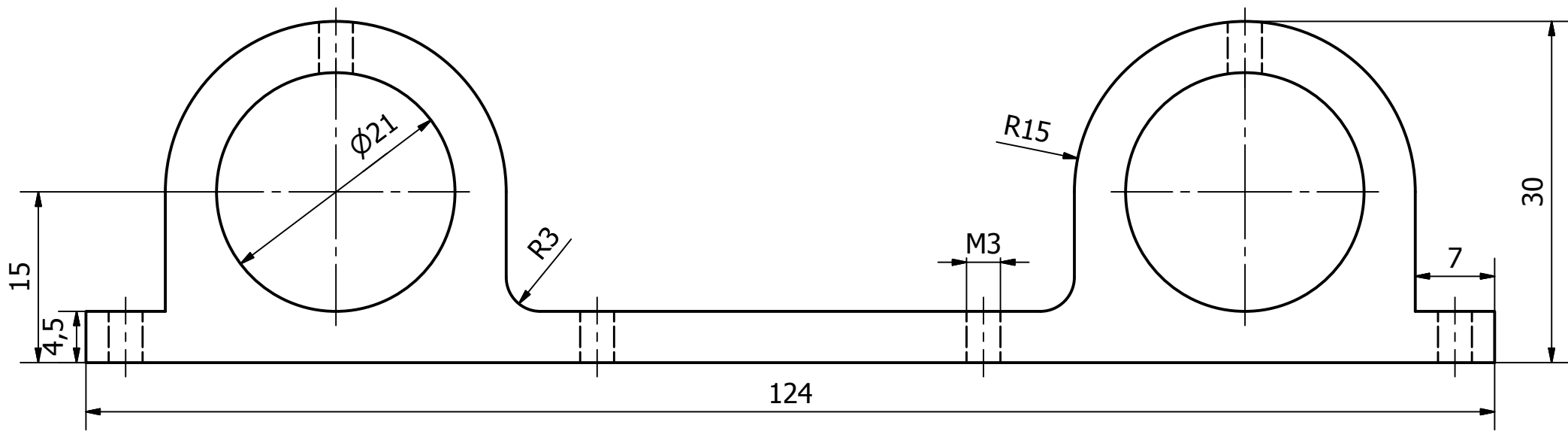




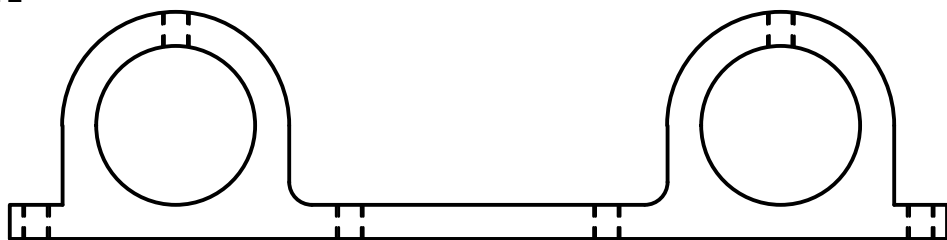
1:1



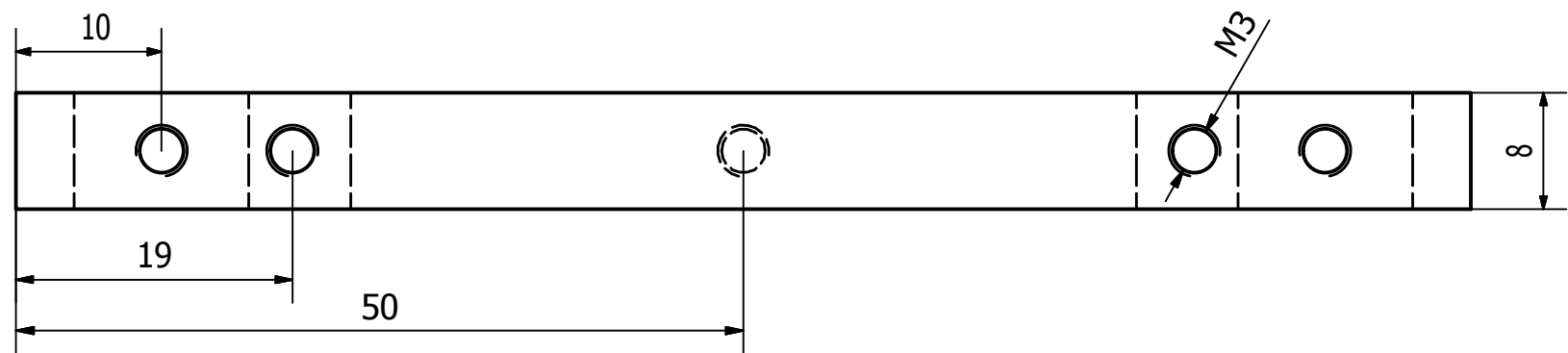
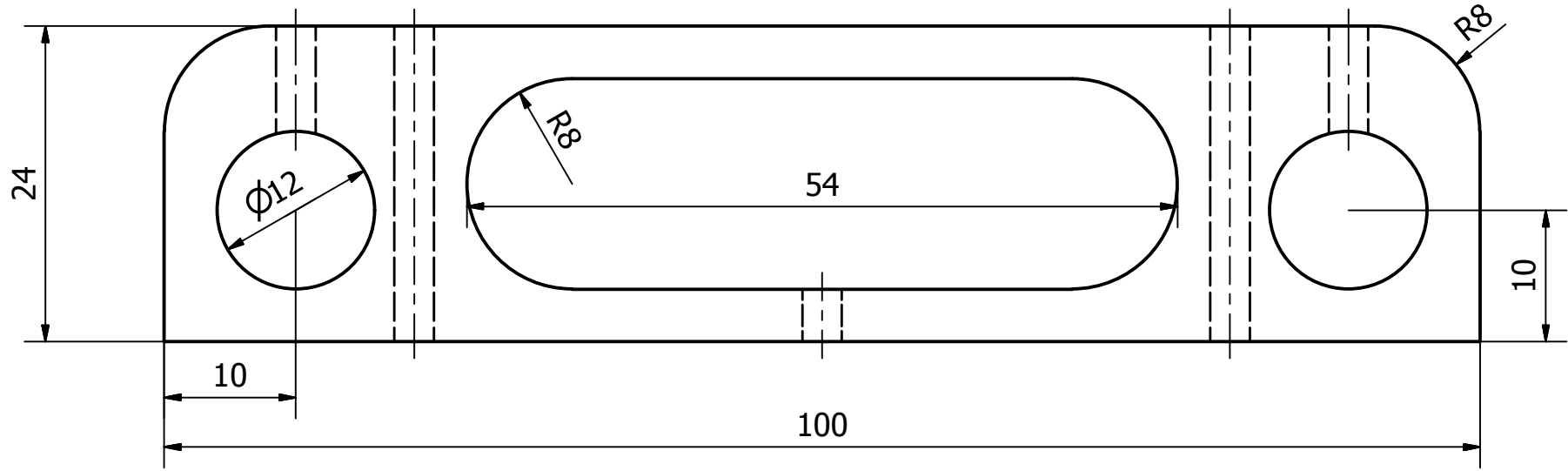
Designed by: Thomas Workshop	Scale: 4:1	Date: 2016-12-23	Quantity: 14
Title: Bearing Holder			



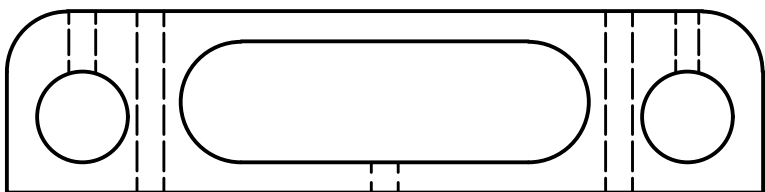
1:1



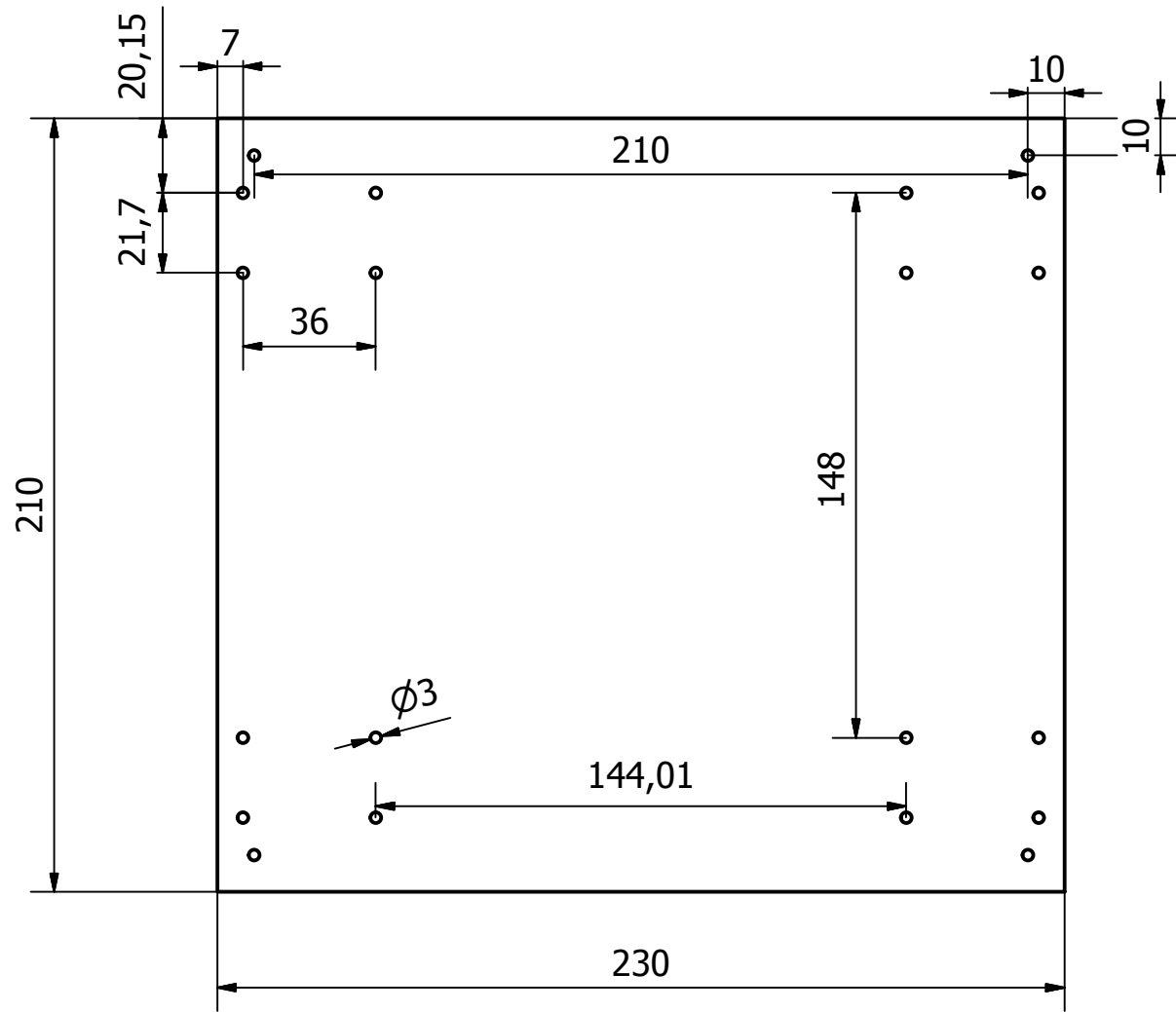
Designed by: Thomas Workshop	Scale: 2:1	Date: 2016-12-23	Quantity: 4
Title: X Bearings Holder			



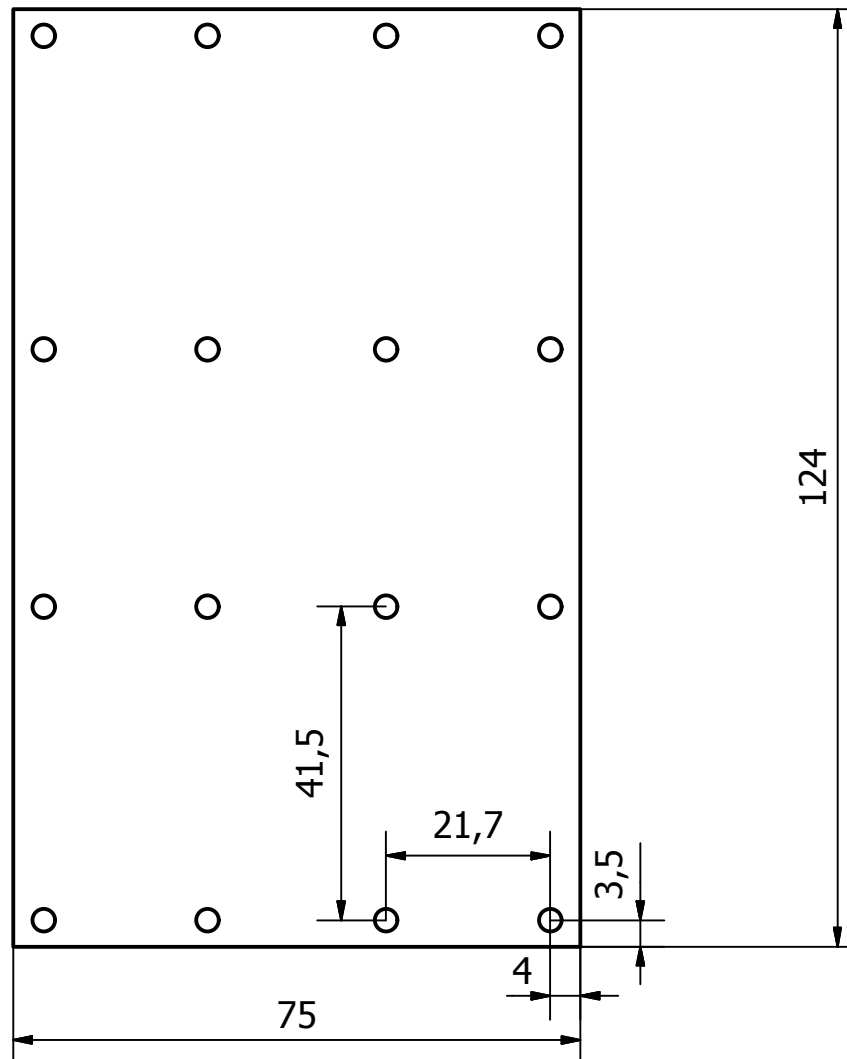
1:1



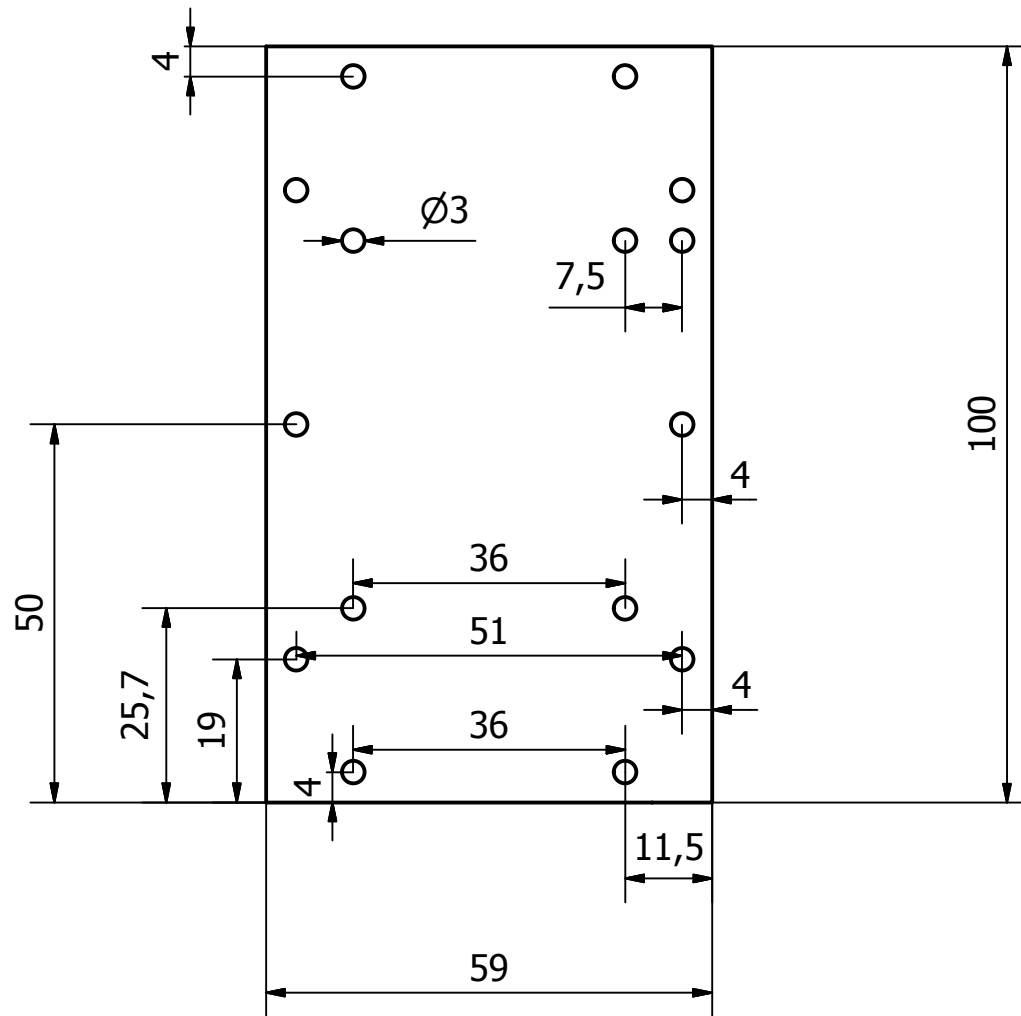
Designed by: Thomas Workshop	Scale: 2:1	Date: 2016-12-23	Quantity: 4
Title: X Holder Linear Rail Shafts			



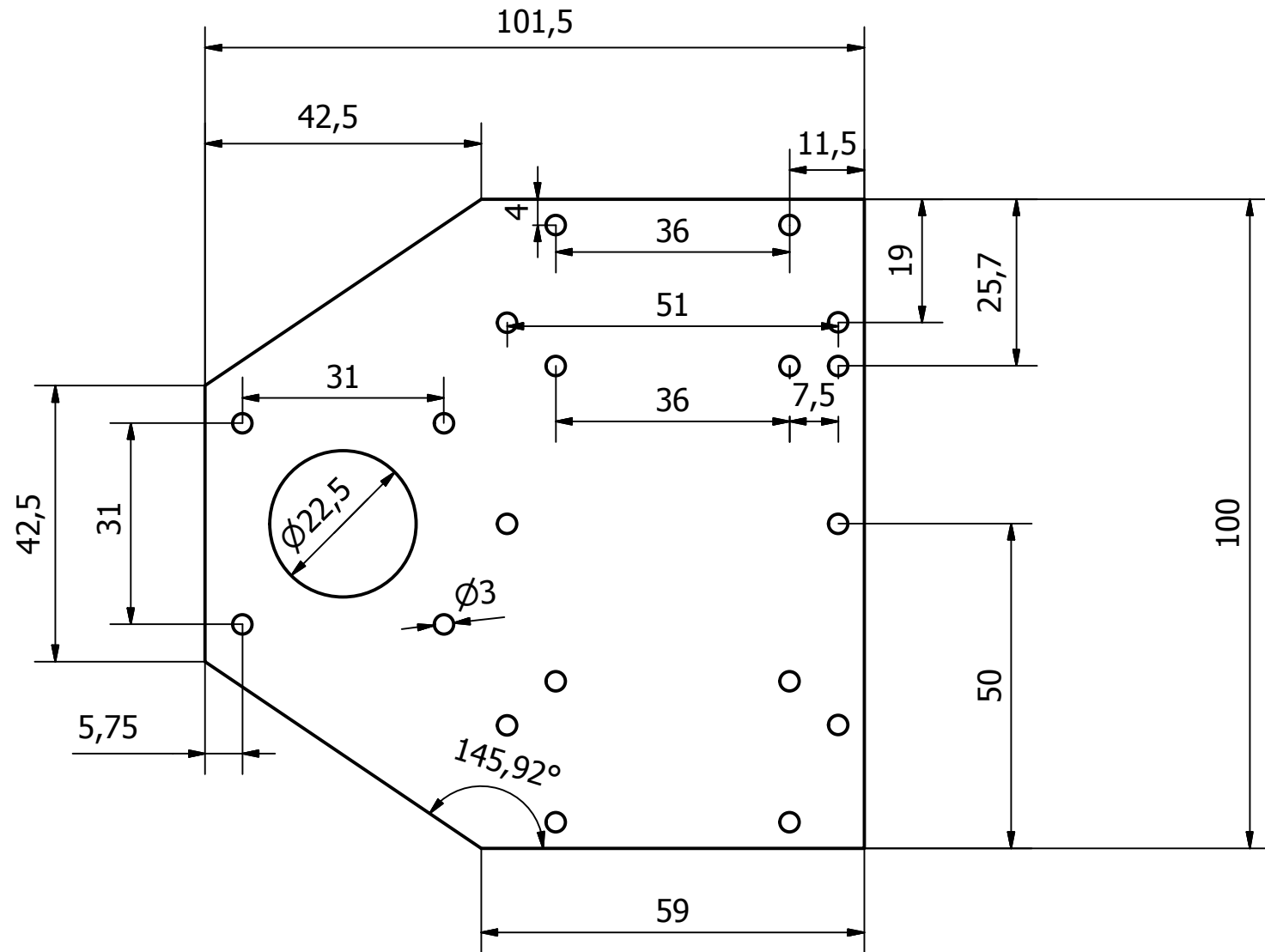
Designed by: Thomas Workshop	Scale: 1:2	Date: 2016-12-23	Quantity: 1
Title: Bed Bottom			



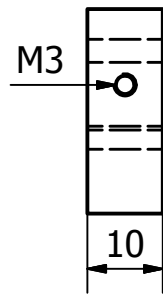
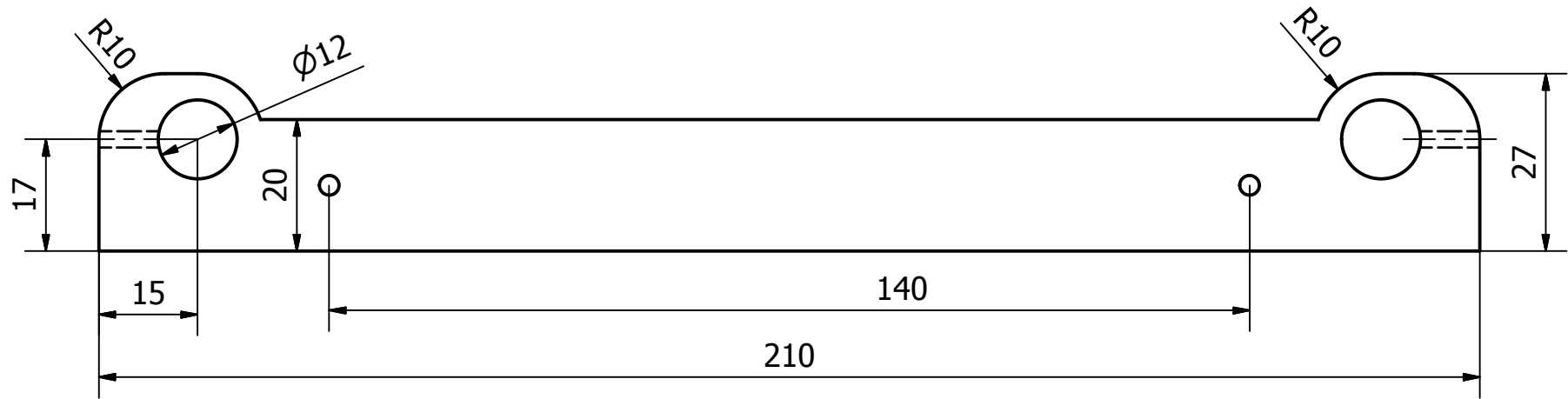
Designed by: Thomas Workshop	Scale: 1:1	Date: 2016-12-27	Quantity: 1
Title: X Plate Extruder			



Designed by: Thomas Workshop	Scale: 1:1	Date: 2016-12-27	Quantity: 1
Title: X Plate No Engine			

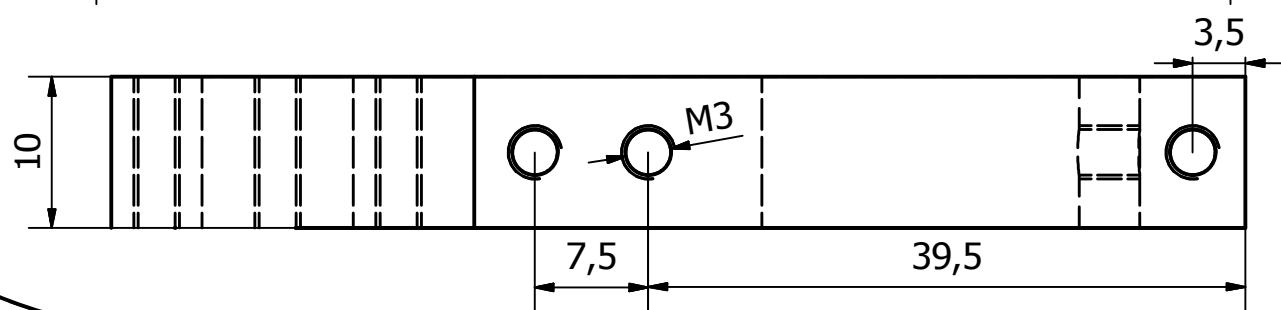
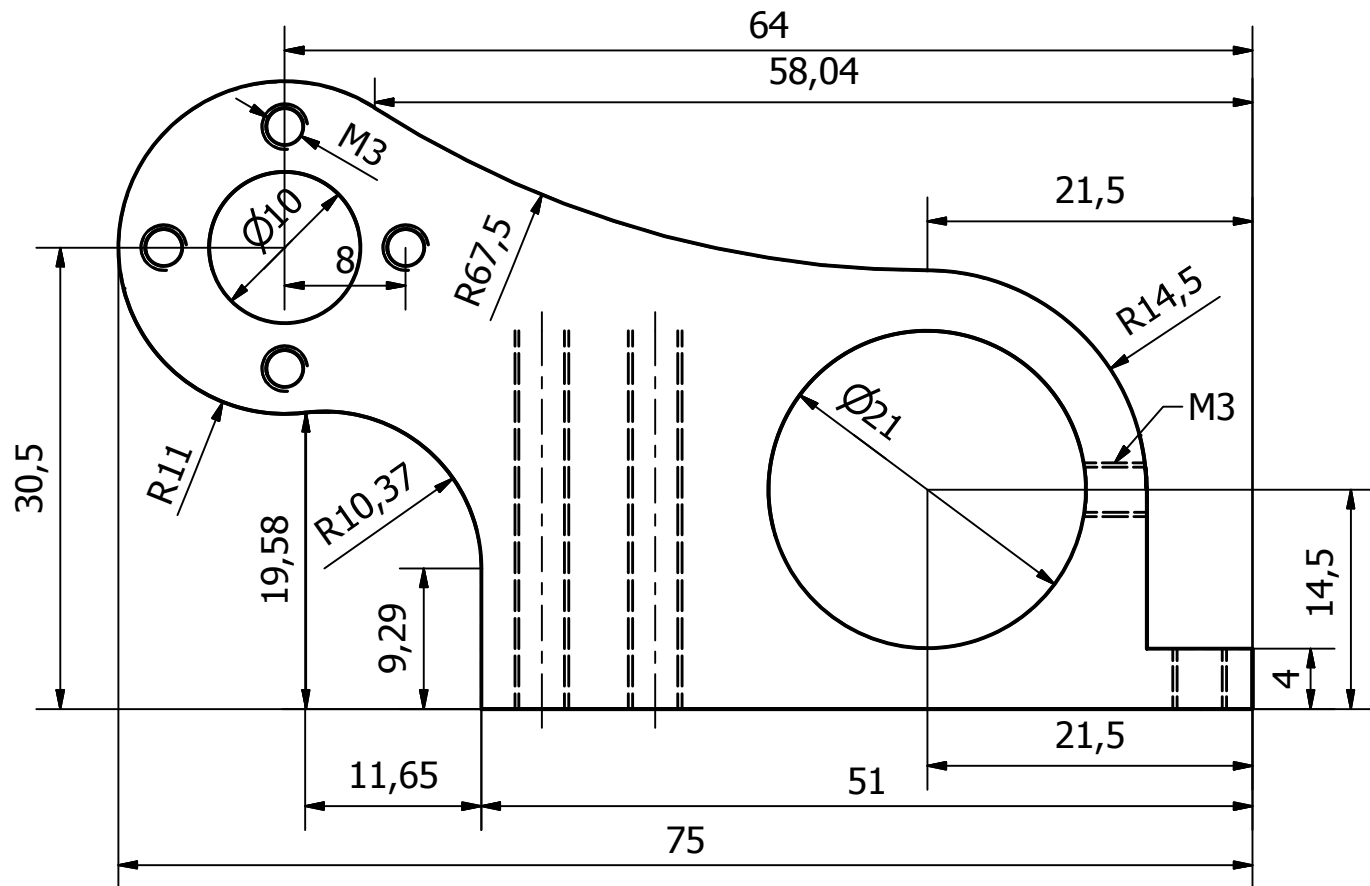


Designed by: Thomas Workshop	Scale: 1:1	Date: 2016-12-27	Quantity: 1
Title: X Plate With Engine			

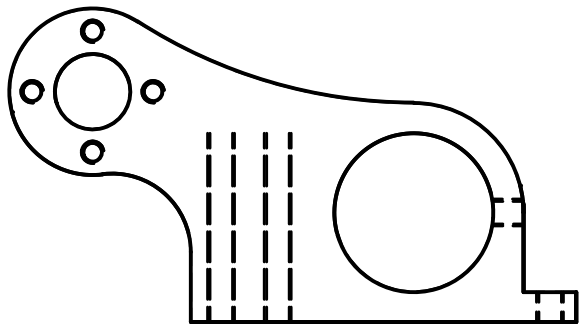


Designed by: Thomas Workshop	Scale: 1:1	Date: 2016-12-23	Quantity: 2
Title: Y Shafts Holder			

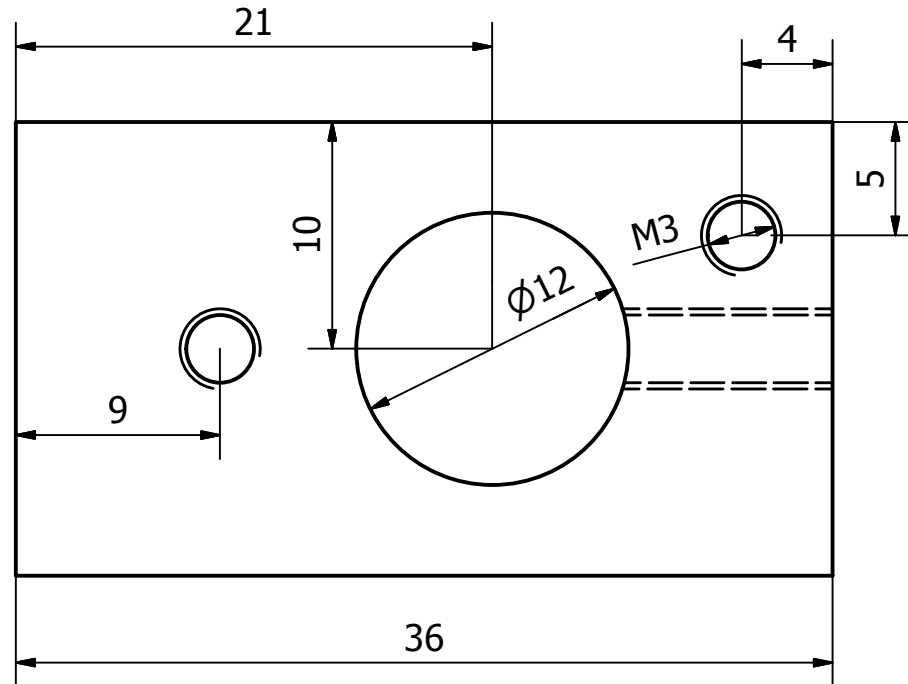
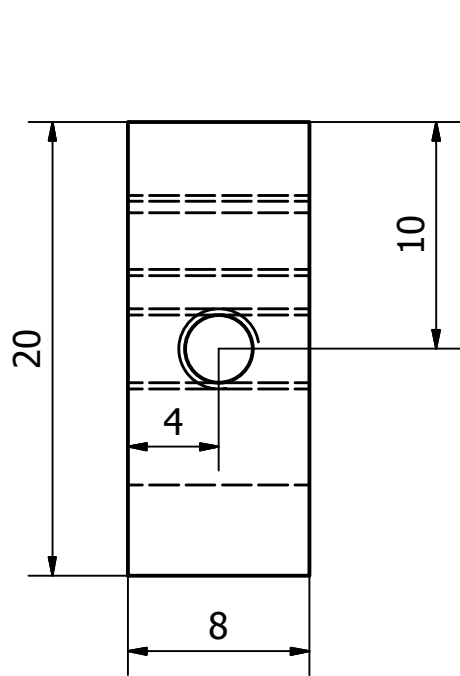




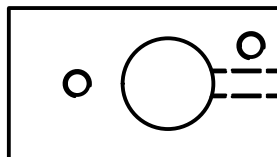
1:1



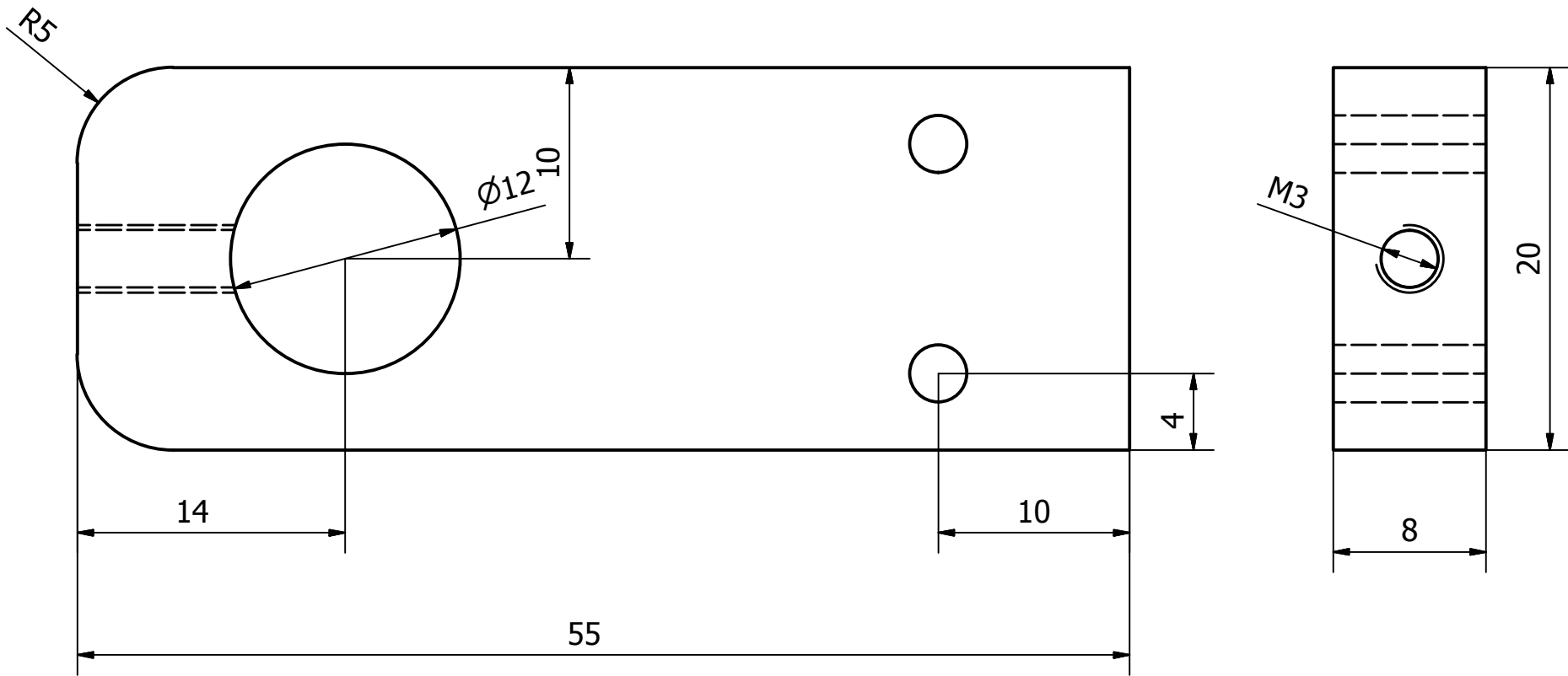
Designed by: Thomas Workshop	Scale: 2:1	Date: 2016-12-26	Quantity: 2
Title: Z Bearing Holder + Nut			



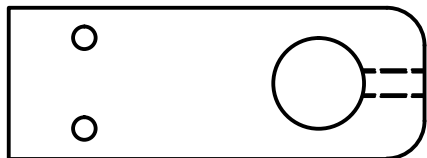
1:1



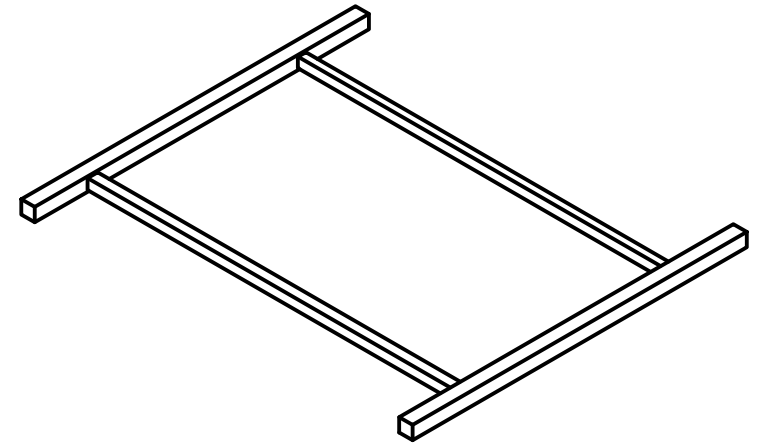
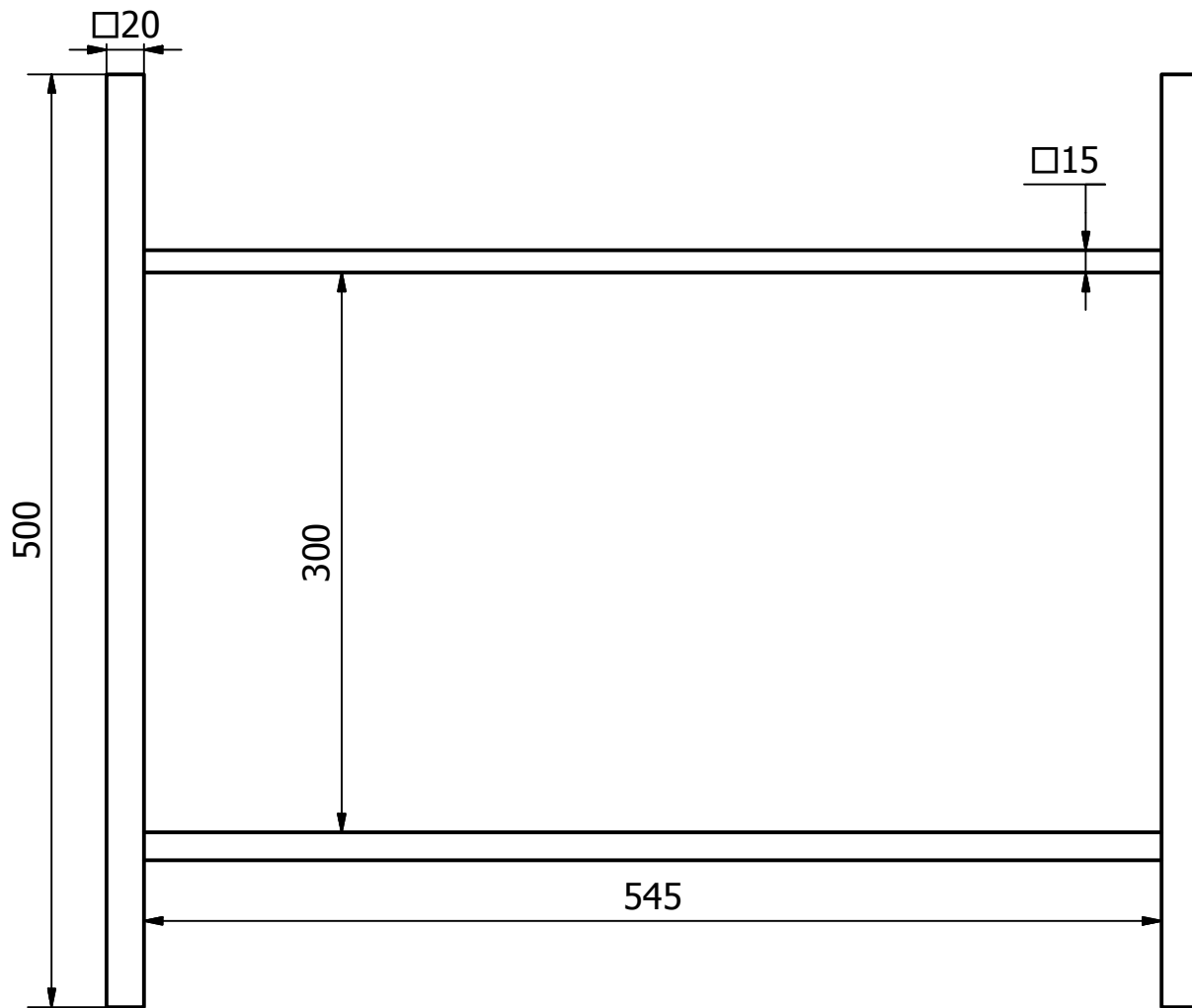
Designed by: Thomas Workshop	Scale: 3:1	Date: 2016-12-28	Quantity: 2
Title: Z Holder Bottom Linear Rail Shaft			



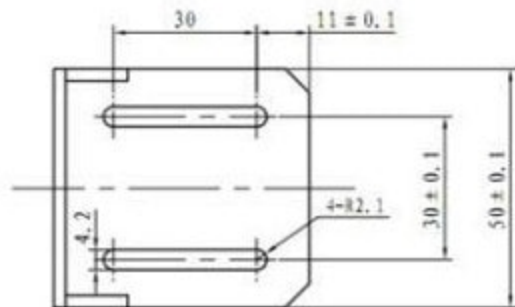
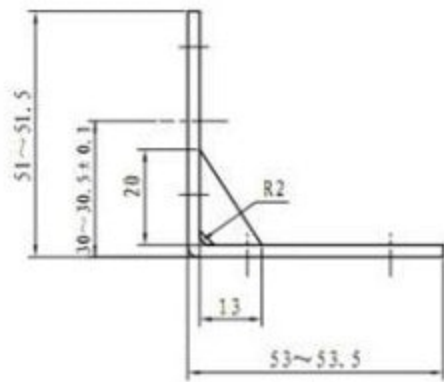
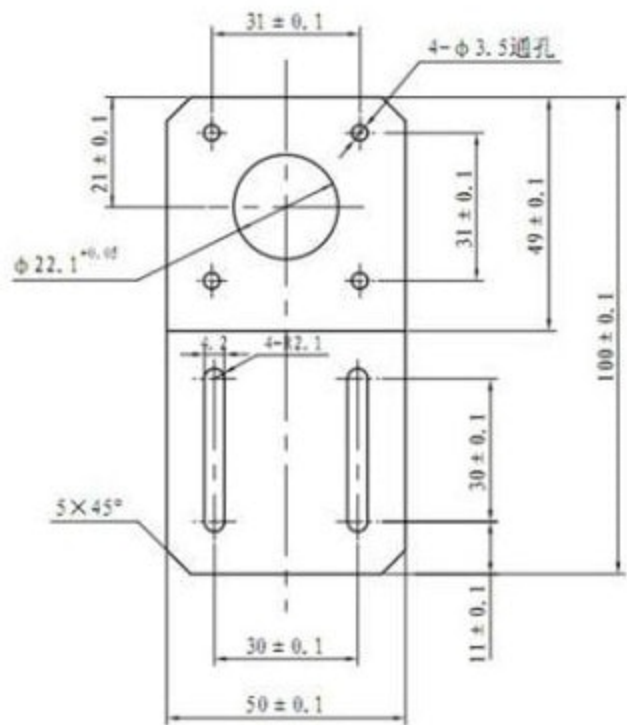
1:1



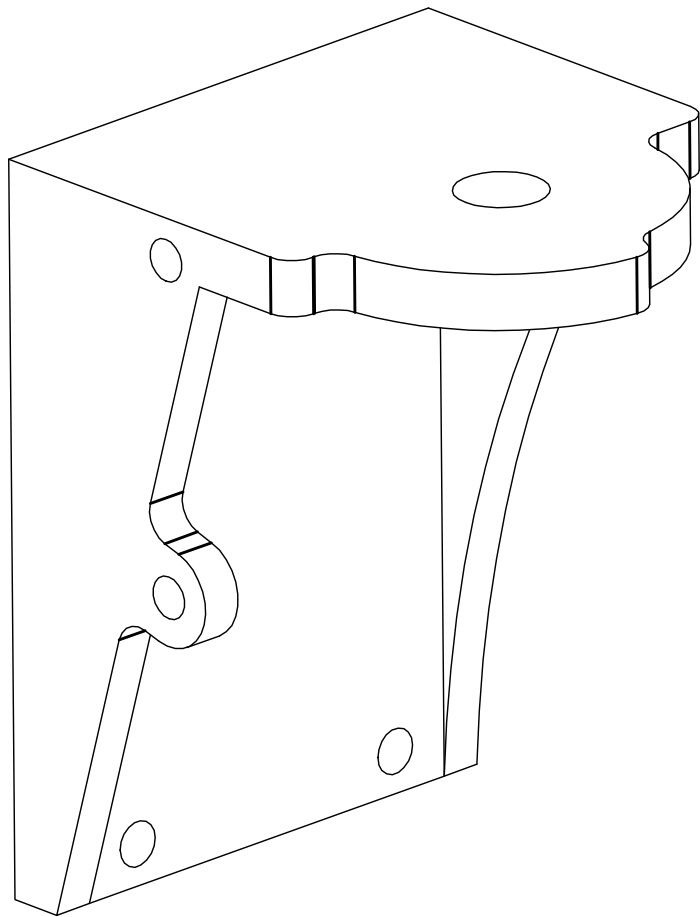
Designed by: Thomas Workshop	Scale: 3:1	Date: 2016-12-28	Quantity: 2
Title: Z Holder Top Linear Rail Shaft			



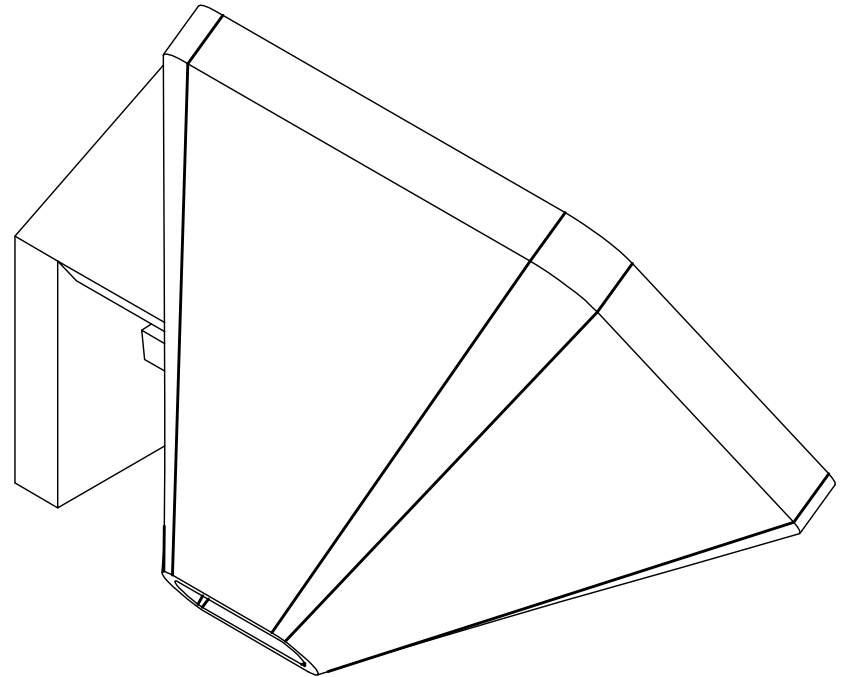
Designed by: Thomas Workshop	Scale:	Date: 2017-01-04	Quantity: 1
Title: Platform			



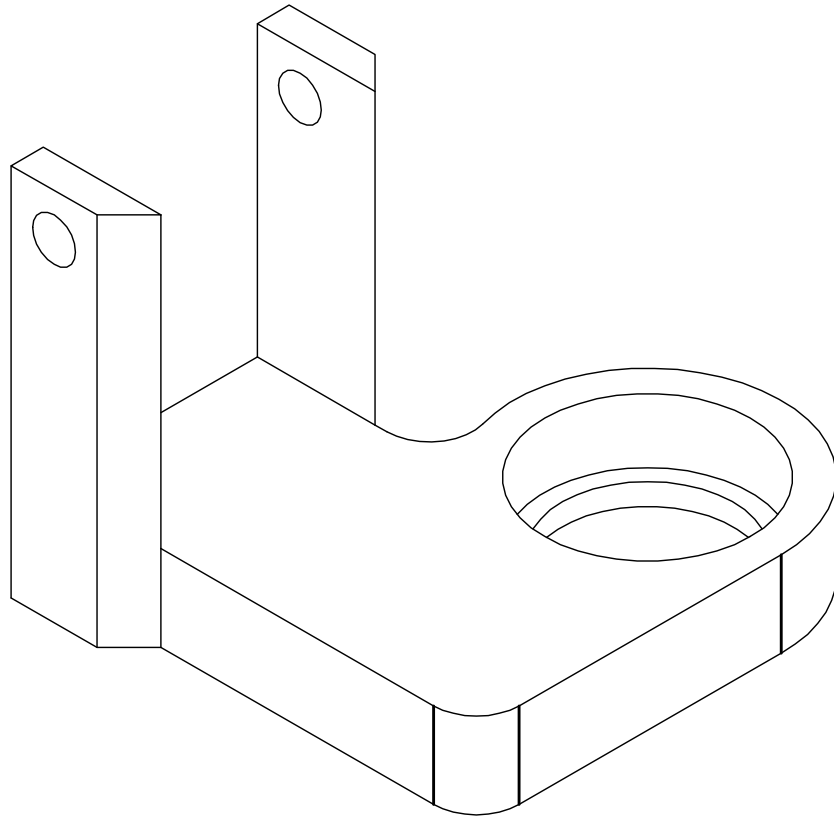
Nema 17 Motor Mount



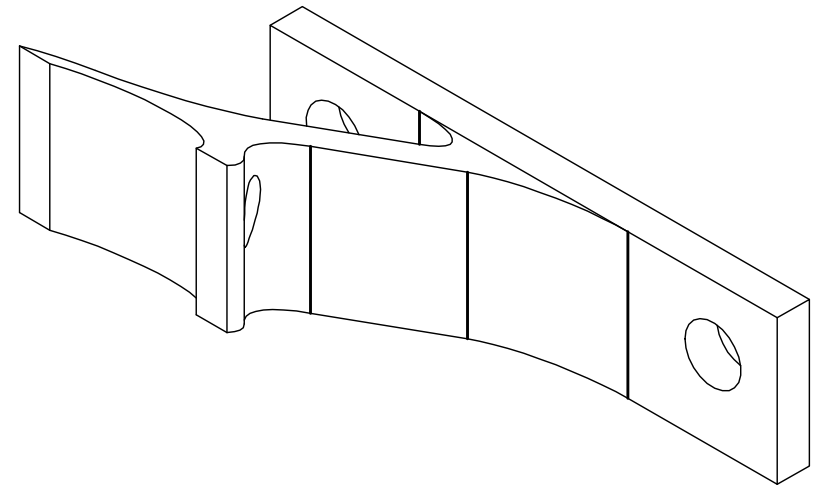
**2:1**  
**Extruder holder**  
3D printed part



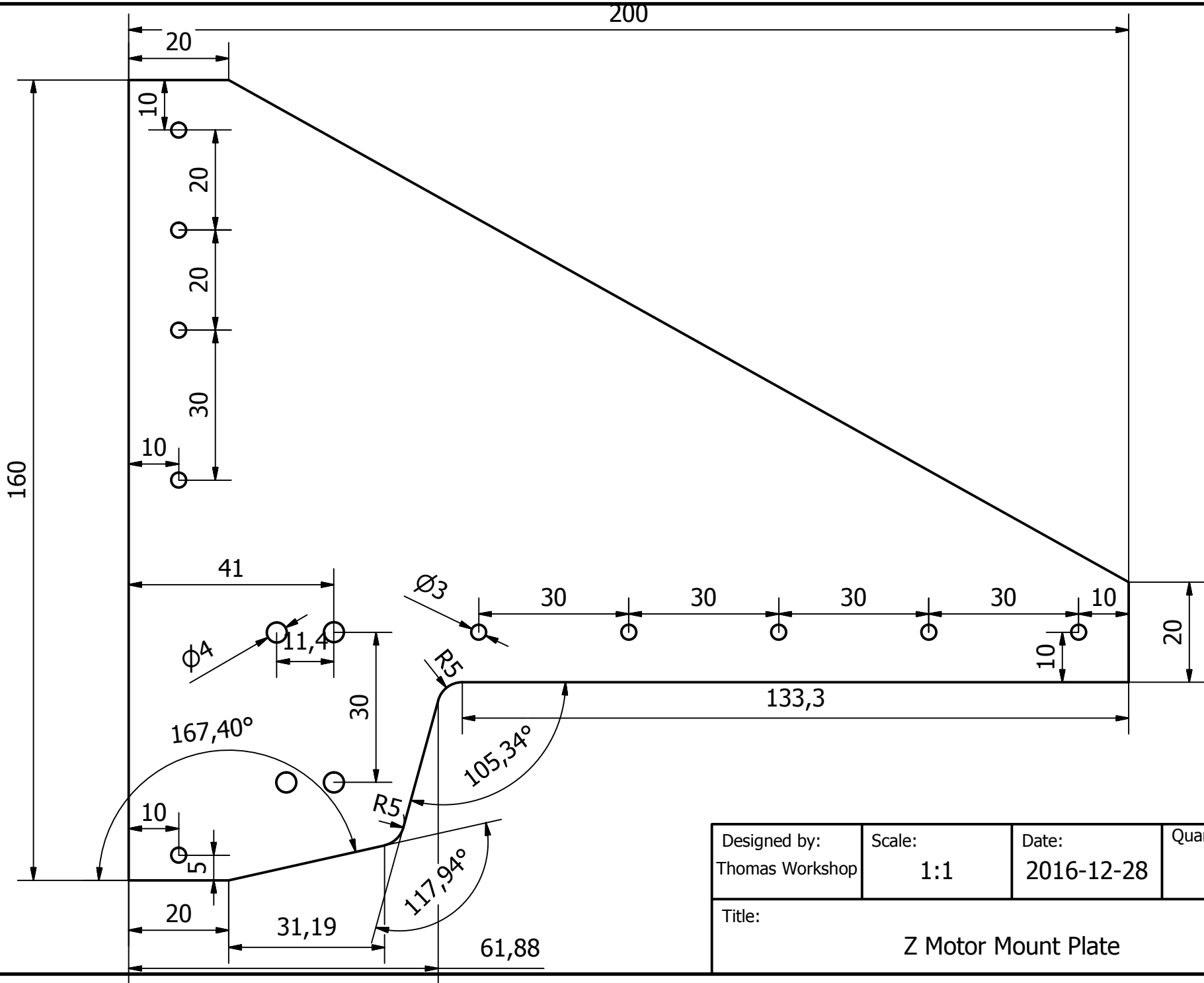
**2:1**  
**Fan holder**  
3D printed part



**2:1**  
**Bearing top holder**  
3D printed part



**3:1**  
**Filament pipe holder**  
3D printed part



Designed by: Thomas Workshop	Scale: 1:1	Date: 2016-12-28	Quantity: 2
Title: Z Motor Mount Plate			