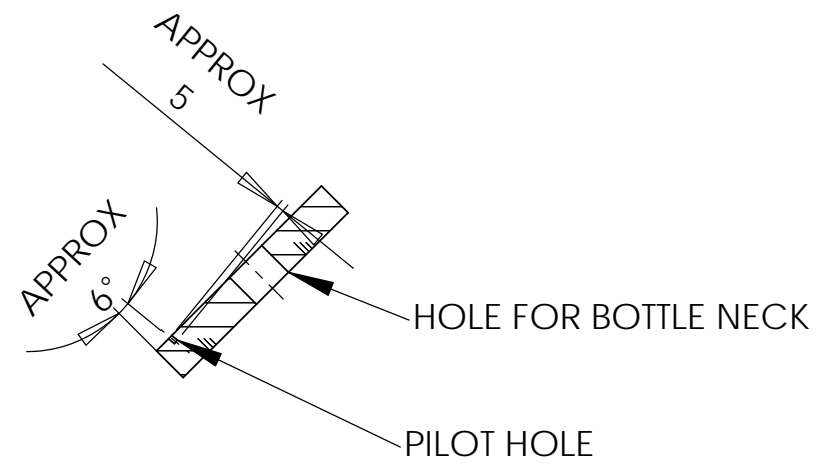
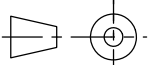


NB.
 1. HOLE DETAILS GIVEN FOR TYPICAL CORNER. REPEAT FOR EACH CORNER
 2. UPPER AND LOWER BOARDS SHOULD BE SQUARE AND EQUAL IN LENGTH AND WIDTH.



SECTION A-A

TITLE: Lower Board		AUTHOR		
PROJECT: Tengreen: Burnham Table		SIZE A4	DWG. REF. 36-01-02	REV —
		SCALE: 1:5	UNITS: mm	SHEET 1 OF 1