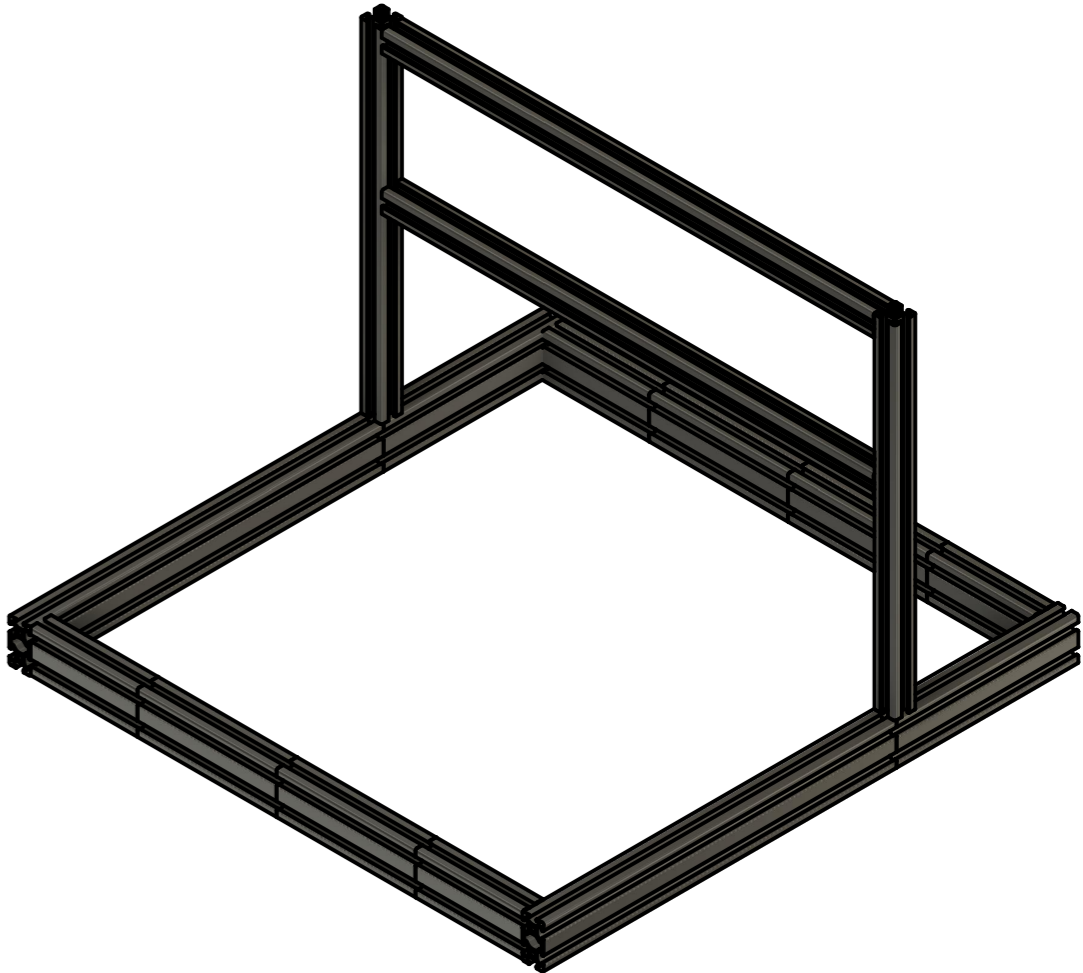
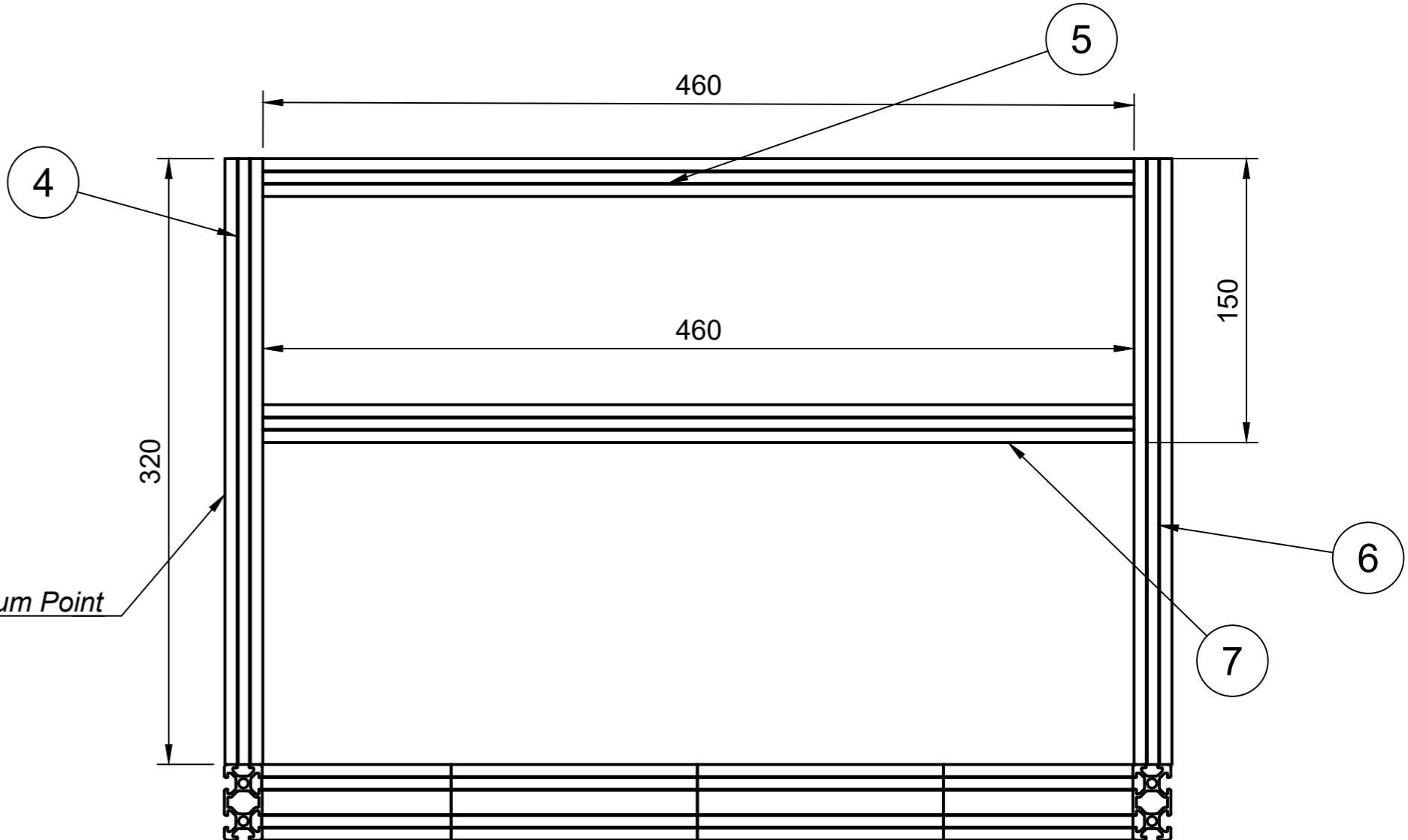
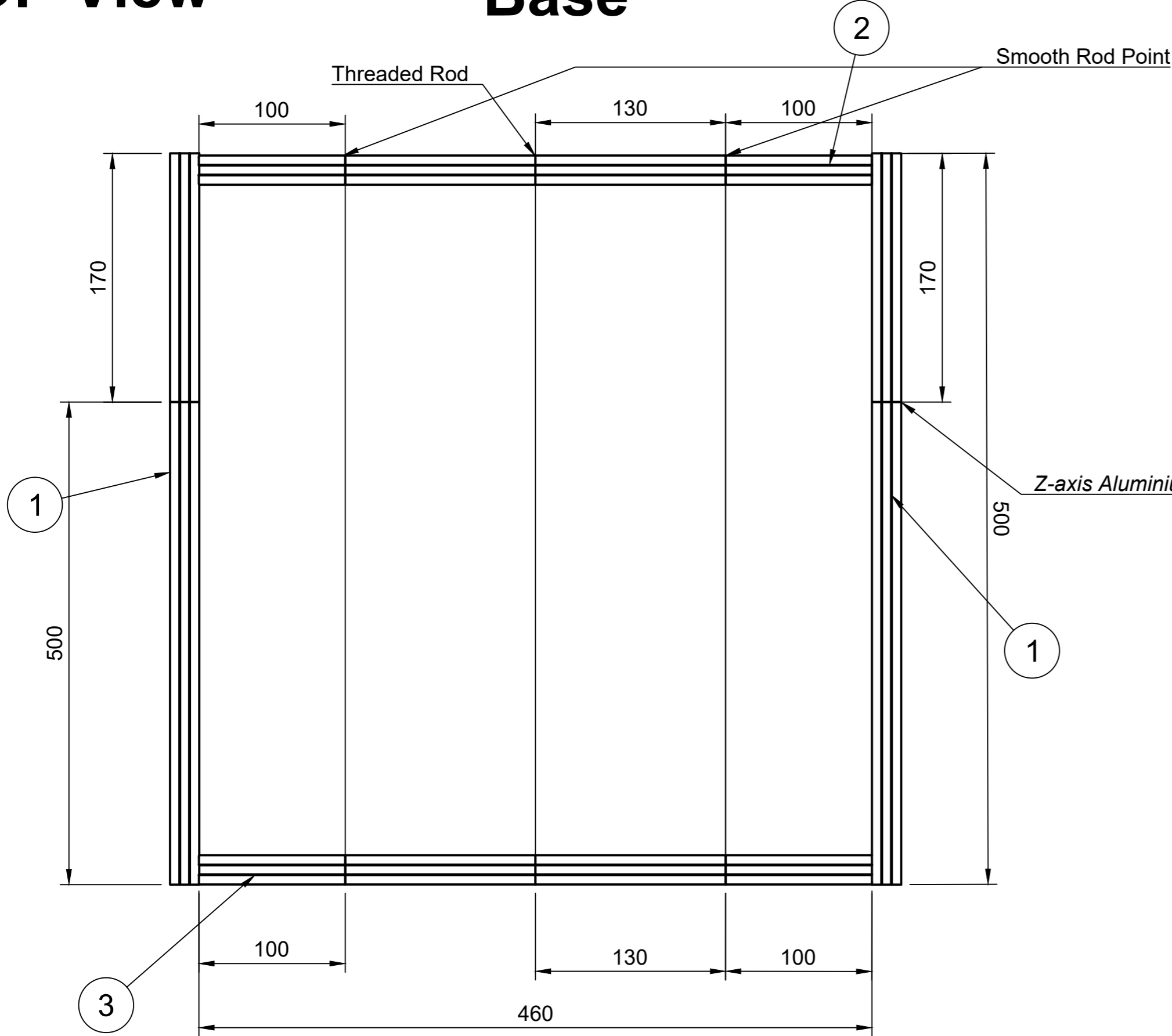


# Aluminium Structure

**TOP View**

**Base**

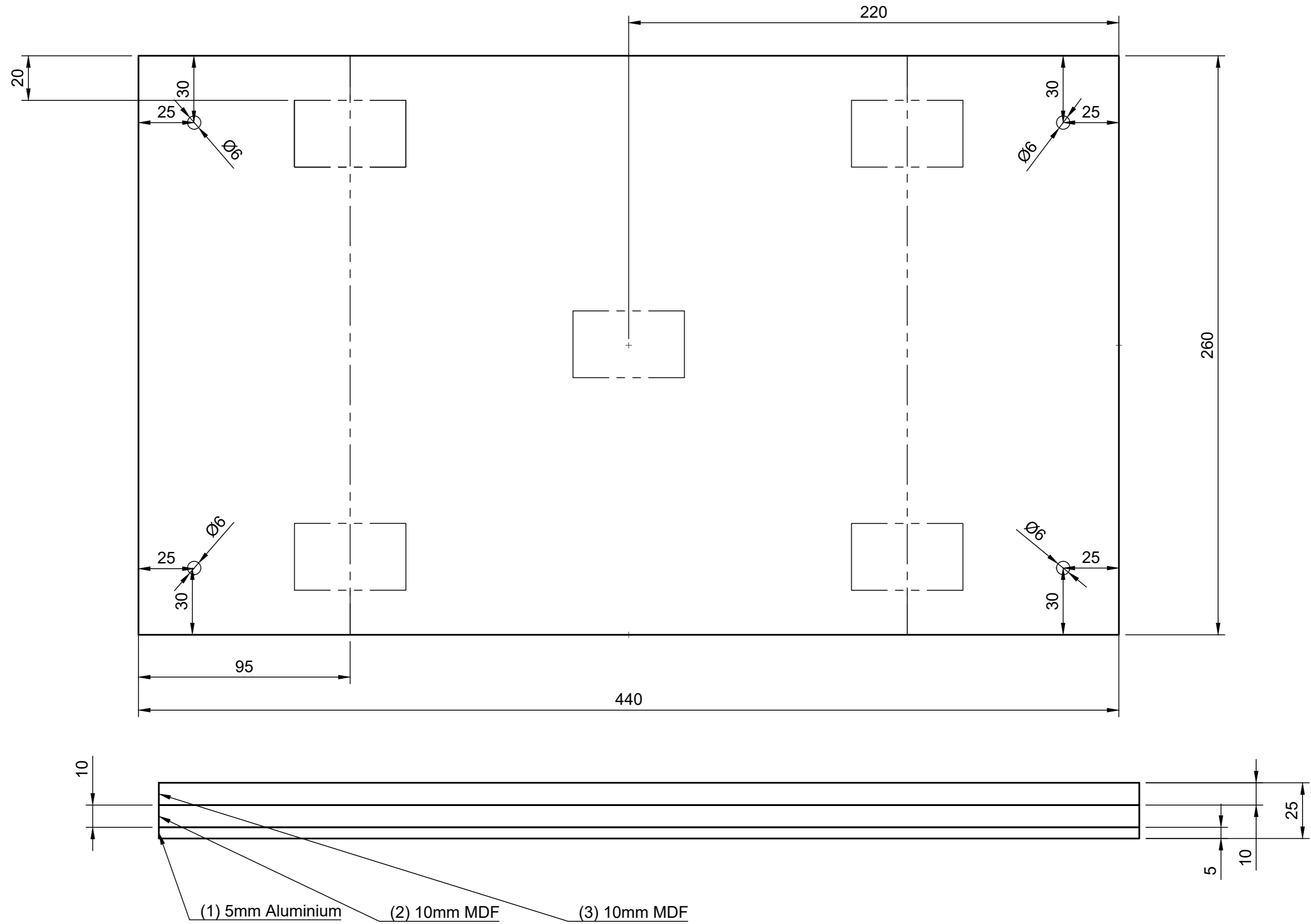
**FRONT View**



MATERIAL INFORMATION				
	500mm [40x20mm]	460mm [40x20mm]	460mm [20x20mm]	320mm
Quantity	2	2	2	2
Parts No.	(1)	(2) and (3)	(5) and (7)	(4) and (6)

Dept.	Technical reference mm	Created by RP Hobbyist	5/2/2021	Approved by
		Document type	Document status	
		Title	DWG No.	
		3018 CNC Machine Upgrade to 5050 CNC Machine	Rev.	Date of issue
			Sheet 1/2	

# BUILD PLATE



Base Plate Material Information			
Parts No.	Material	Size	Quantity
1	5mm Aluminium	460mm x 260mm	1
2 and 3	10mm MFD Wood	460mm x 260mm	2

Dept.	Technical reference mm	Created by RP Hobbyist	5/2/2021	Approved by
		Document type	Document status	
		Title 3018 CNC Machine upgrade to 5050	DWG No.	
Rev.	Date of issue	Sheet		2/2