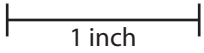
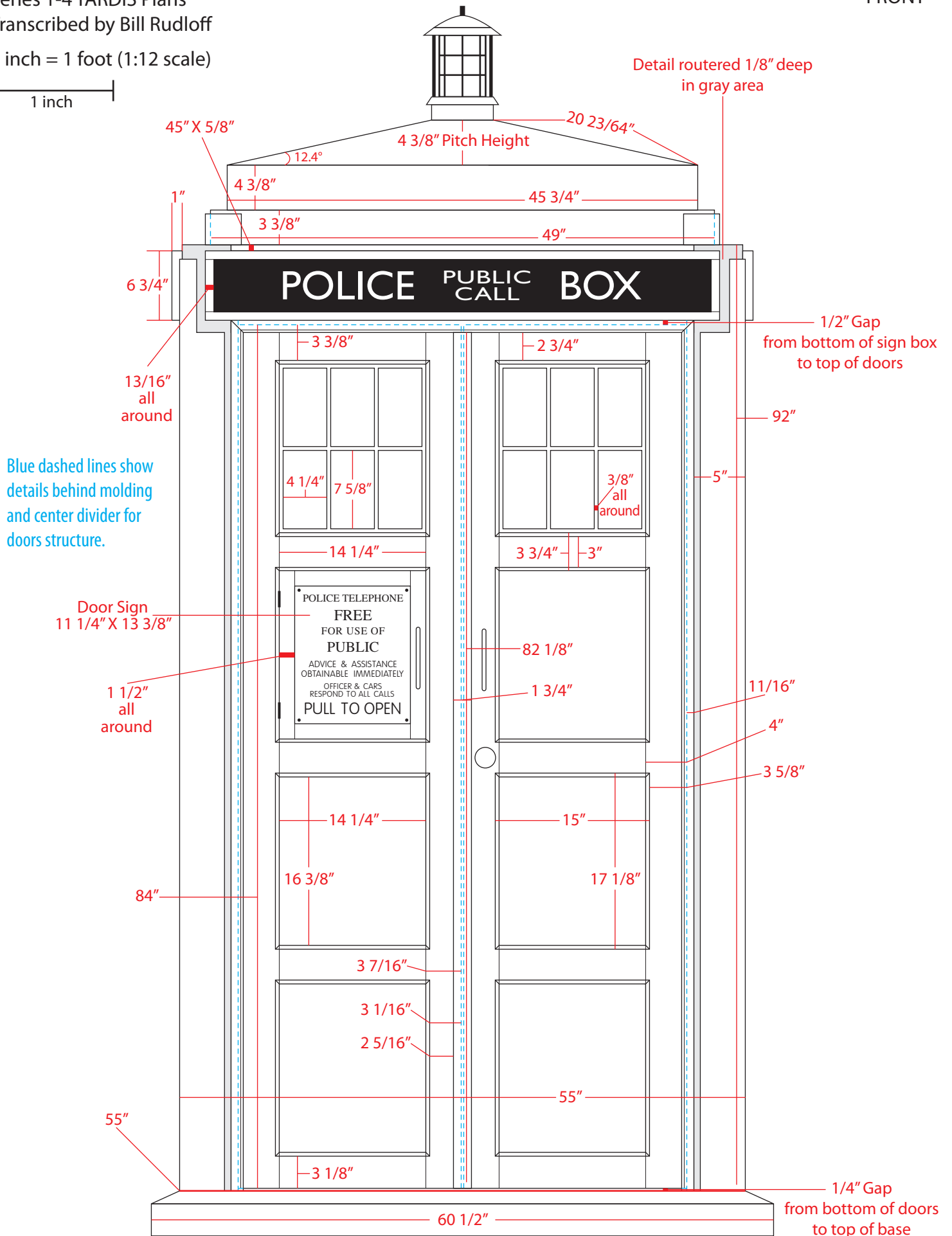


Series 1-4 TARDIS Plans
Transcribed by Bill Rudloff

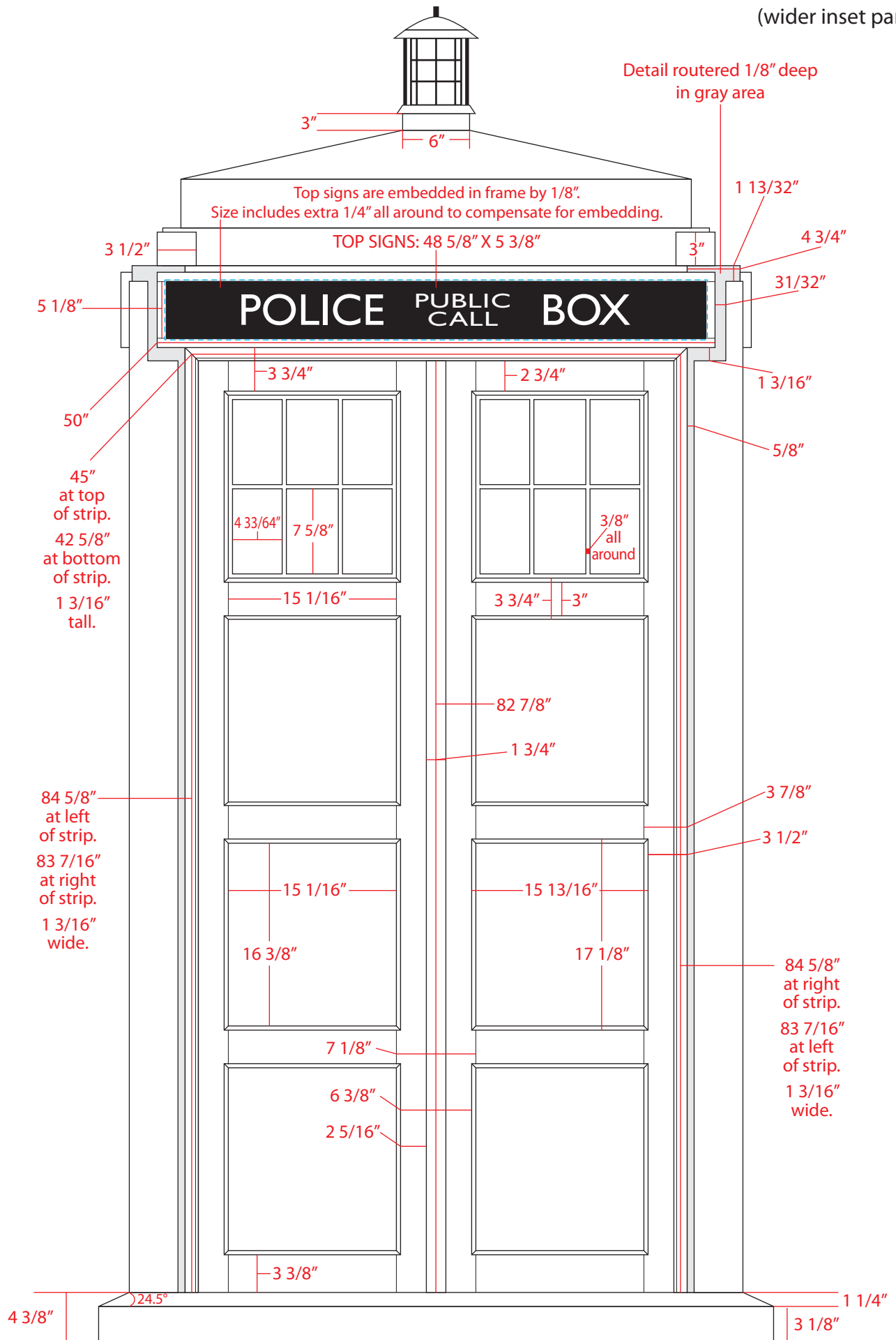
1 inch = 1 foot (1:12 scale)

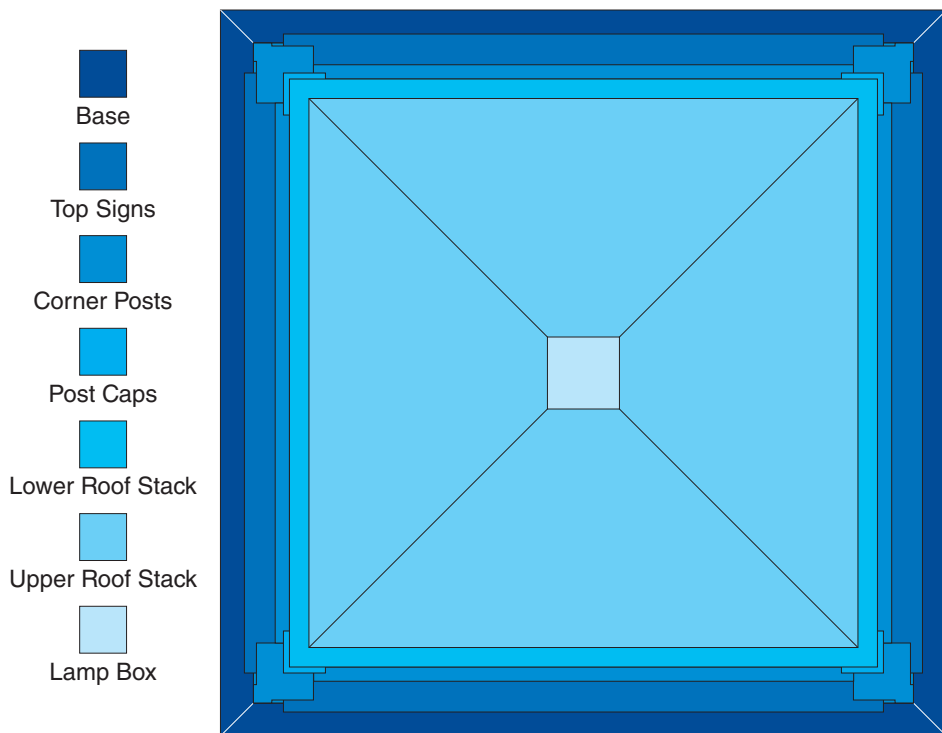
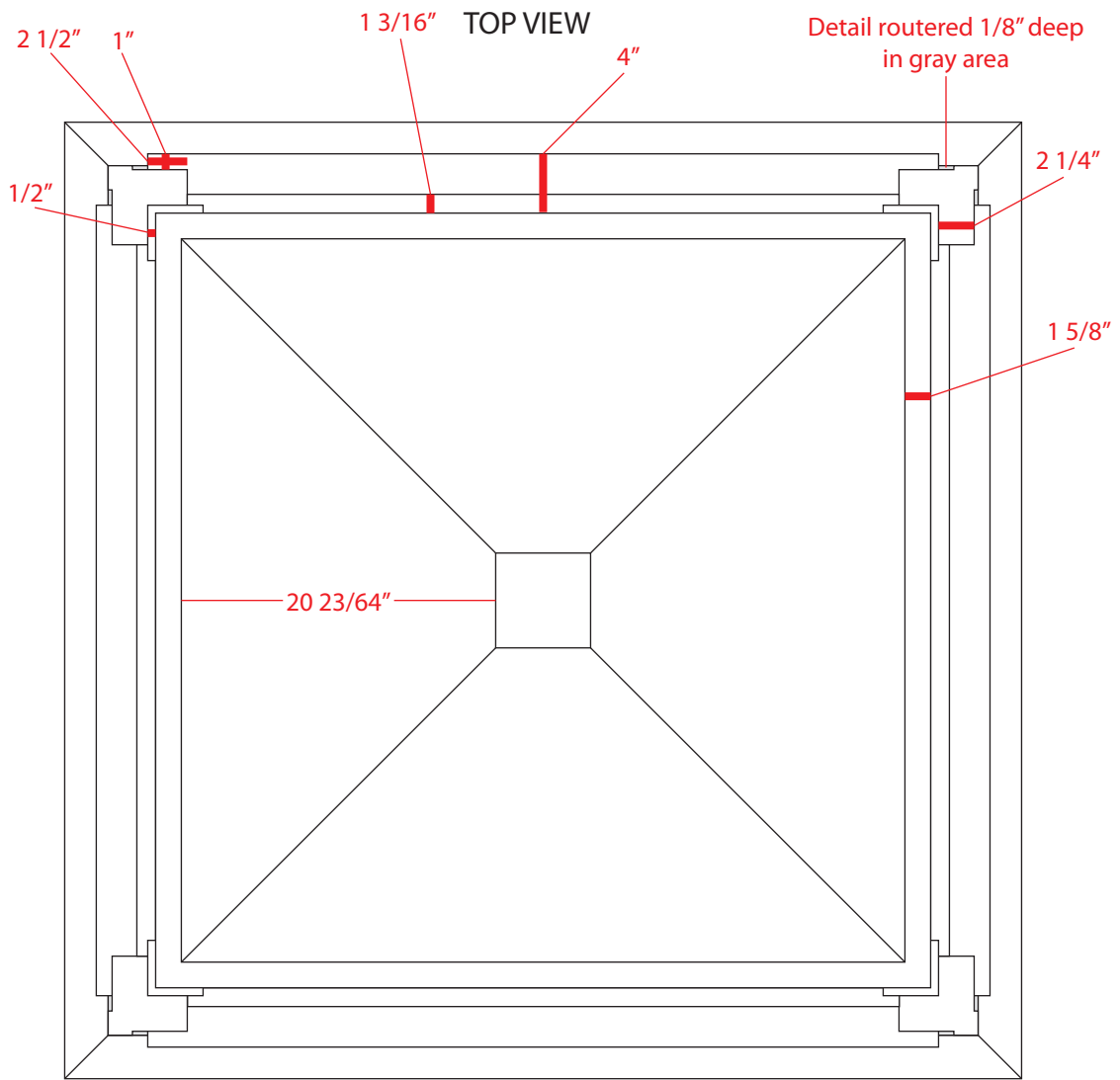


FRONT

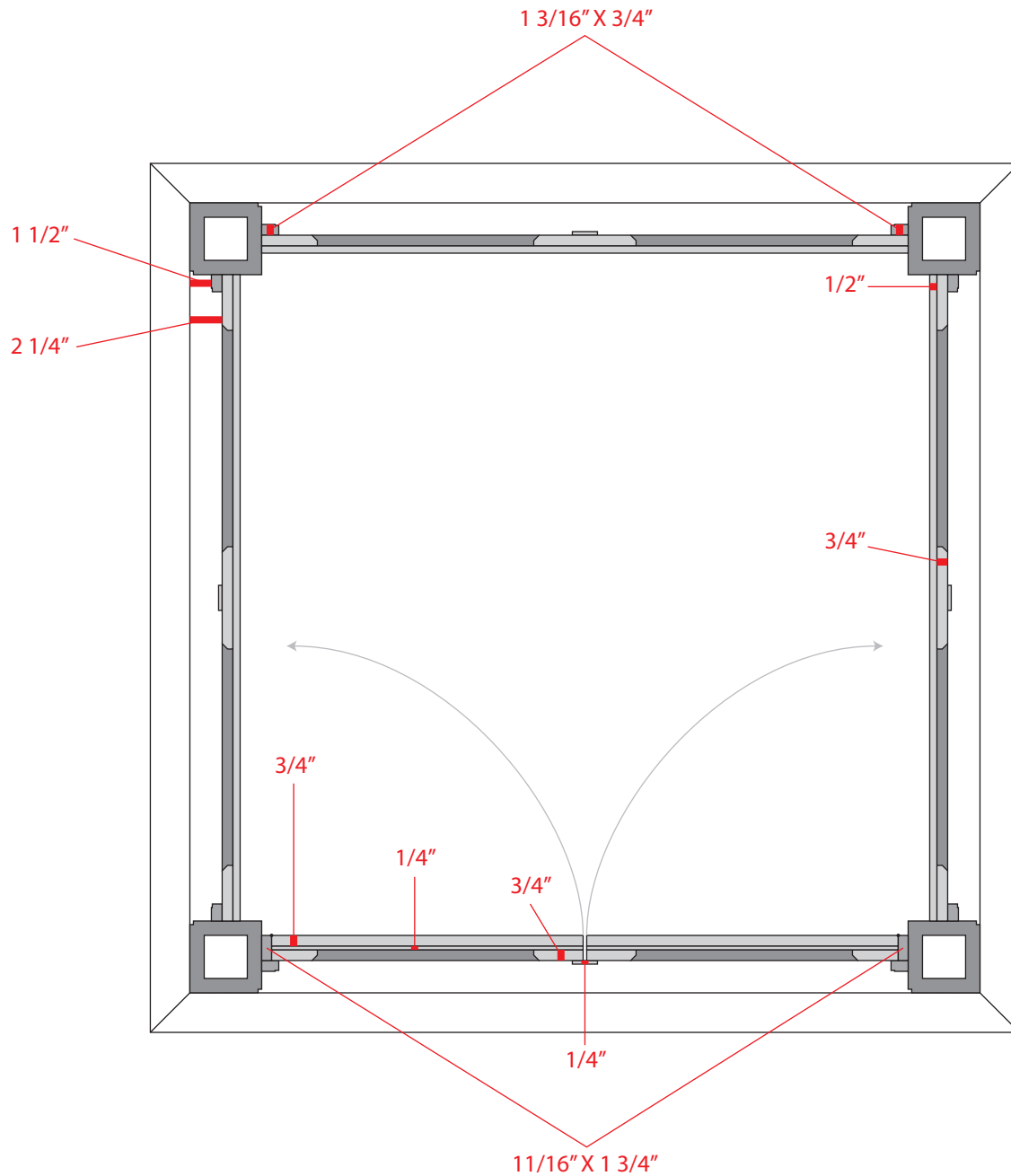


SIDES & BACK
(wider inset panels)





CROSS CUT VIEW



Doors are constructed with sandwiched 3/4" ply for the backing, 1/4" ply for the panels, and 3/4" for rails and stiles.

Walls are constructed with 1/2" ply for the backing/panels and 3/4" for rails and stiles.

There is about a 1/4" gap between the doors.